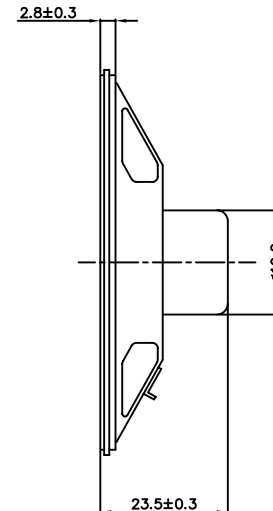
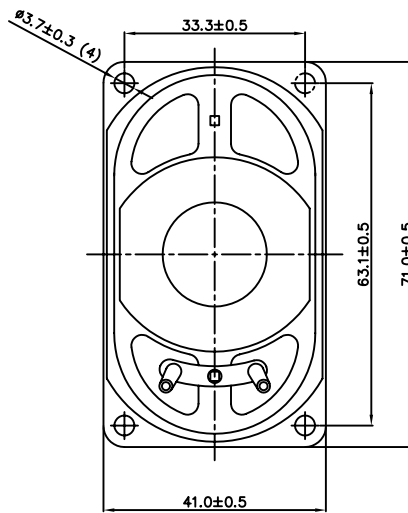


THIS DOCUMENT CONTAINS DATA PROPRIETARY TO PROJECTS UNLIMITED, INC. ANY USE OR REPRODUCTION, IN ANY FORM, WITHOUT PRIOR WRITTEN PERMISSION OF PROJECTS UNLIMITED, INC. IS PROHIBITED.  
© 2003, Projects Unlimited Inc.

## SPECIFICATIONS

PARAMETERS	VALUES	UNITS
RATED INPUT POWER	3	W
MAX INPUT POWER	5	W
IMPEDANCE	8±15%	OHM
OUTPUT SPL @ 1W/0.5M (AT 0.8, 1.0, 1.2, 1.5 kHz)	86±3	dB
DISTORTION	5%	—
RESONANT FREQUENCY	250±70	Hz
FREQUENCY RANGE	100 ~ 20,000	Hz
HOUSING MATERIAL	METAL	—
CONE MATERIAL	PAPER	—
MAGNET MATERIAL	Nd-Fe-B	—
OPERATING TEMPERATURE	-20 ~ +60	°C
WEIGHT	36	grams



### NOTES:

1. ALL DIMENSIONS ARE IN MILLIMETERS.
2. SPECIFICATION SUBJECT TO CHANGE OR WITHDRAWAL WITHOUT NOTICE.

FILE NAME  
AS704008-32.DWG

### REVISIONS

LTR	DESCRIPTION	DATE	APPROVED
—	RELEASED FROM ENGINEERING	7/14/03	
A	REVISED TO NEW TEMPLATE	4/16/04	R. W.

UNLESS OTHERWISE SPECIFIED:  
DIMENSIONS ARE IN MILLIMETERS,  
TOLERANCES ARE ±0.5 AND ANGLES ARE  
±3°.



projects®  
unlimited

Dayton, Ohio

DYNAMIC SPEAKER  
AS704008-32

APPROVALS	DATE
DRAWN T.P.I.	7/03
APPROVED S.J.	7/03

SIZE  
A

DRAWING NO.  
AS704008-32

DO NOT SCALE DRAWING

SCALE: N.T.S.

SHEET 1 OF 1