

注記
NOTE

- 本製品は55100-0600, 54280-0600の鉛フリー品である。
THIS PRODUCT IS LEAD FREE OF 55100-0600 AND 54280-0600.

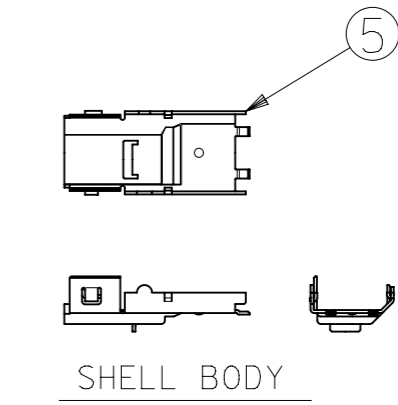
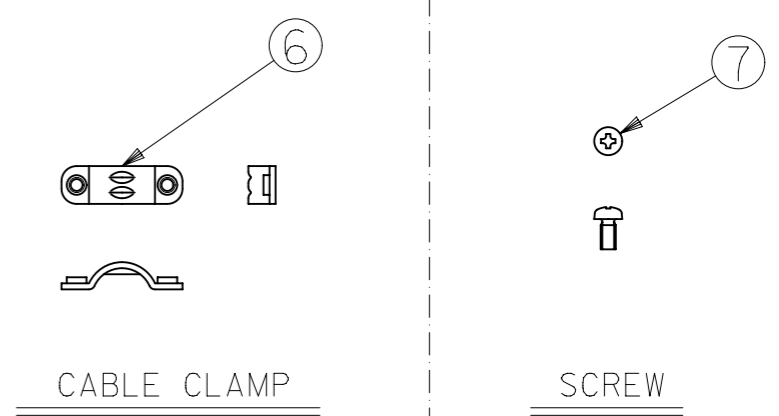
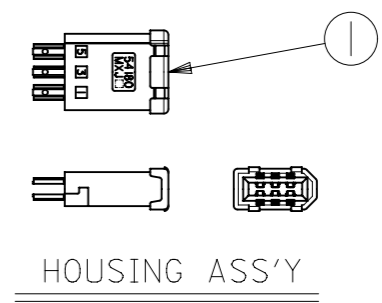
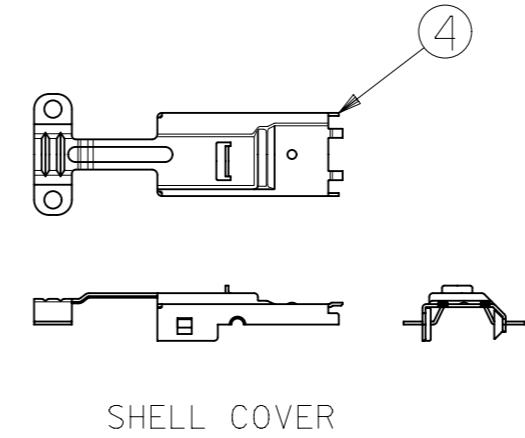
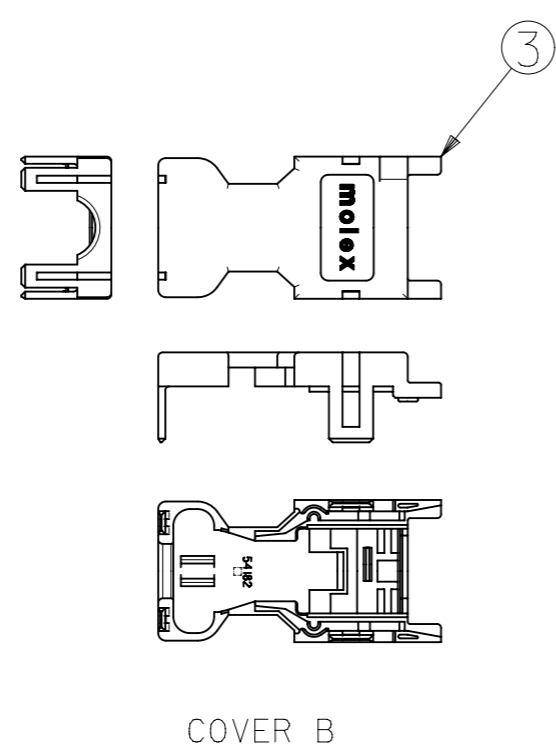
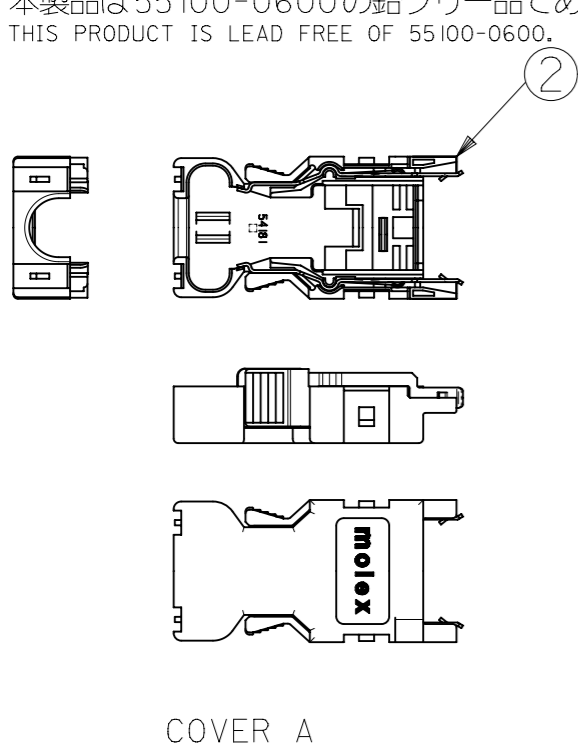
THIS DRAWING CONTAINS INFORMATION THAT IS PROPRIETARY TO MOLEX ELECTRONIC TECHNOLOGIES, LLC AND SHOULD NOT BE USED WITHOUT WRITTEN PERMISSION

REVISED EC NO: 119030 DRWN: TNAKAGAWA01 CHK'D: KTAKAHASHI APPR: MSASAO	2017/07/06	GENERAL TOLERANCES (UNLESS SPECIFIED)		DIMENSION UNITS	SCALE	<p>2.0 I/O CONN. CROSS-SECT. VIEW OF MATED CONNECTORS -LEAD FREE-</p> <p>PRODUCT CUSTOMER DRAWING</p>			
	2017/07/11	ANGULAR TOL ±	MM	4:1					
	2017/07/11	4 PLACES ±	DRWN BY	DATE	MNABEI 2008/04/09				
		3 PLACES ±	CHK'D BY	DATE	MISOGAYA 2008/04/10				
		2 PLACES ±	APPR BY	DATE	NUKITA 2008/04/11				
	1 PLACE ±	DRAFT WHERE APPLICABLE MUST REMAIN WITHIN DIMENSIONS	DRAWING SIZE	THIRD ANGLE PROJECTION		SERIES	MATERIAL NUMBER	CUSTOMER	
	0 PLACES ±		A3			54280	SEE IN FIGURE	GENERAL MARKET	
						DOCUMENT NUMBER	DOC TYPE	DOC PART	SHEET NUMBER
						SD-54280-011	PSD	001	1 OF 1

部品構成
PARTS CONSTRUCTION

部番 NO.	部品名 PART NAME	製品番号 ENG. NO.	個数 QUAN.	材質 MATERIAL
①	ハウジングアッセンブリ HOUSING ASS'Y	54180-0619	1	ハウジング：ガラス入り耐熱樹脂 UL94V-0 色：黒 HOUSING : G.F. HEAT RESISTANT PLASTIC UL94V-0 COLOR : BLACK ターミナル：りん青銅 t0.3 TERMINAL : PHOSPHOR BRONZE t0.3 メッキ仕様 接点部：ニッケル下地金メッキ PLATING CONTACT AREA : GOLD OVER NICKEL 結線部：ニッケル下地錫メッキ WIRE TERMINATION AREA : TIN OVER NICKEL
②	カバーA COVER A	54181-0615	1	カバーA：ガラス入りポリカーボネイト樹脂 COVER A : POLYCARBONATE G.F. UL94V-0 色：グレー UL94V-0 COLOR : GRAY スプリングラッチ：ステンレス鋼 t0.4 SPRING LATCH : STAINLESS STEEL t0.4
③	カバーB COVER B	54182-0605	1	ガラス入りポリカーボネイト樹脂 UL94V-0 色：グレー POLYCARBONATE G.F. UL94V-0 COLOR : GRAY
④	シエル カバー SHELL COVER	58299-0626	1	鋼 t0.4 STEEL t0.4
⑤	シエル ボディ SHELL BODY	58300-0626	1	メッキ仕様：ニッケル下地、錫メッキ PLATING : NICKEL BASE, TIN PLATING
⑥	ケーブルクランプ CABLE CLAMP	58303-0000	1	ステンレス鋼 STAINLESS STEEL
⑦	十字穴付きなべ小ネジ CROSS RECESSED PAN HEAD MACHINE SCREW	59832-0009	2	黄銅(ネジサイズ：M2X4) BRASS (SCREW SIZE : M2X4)

NOTES:
本製品は55100-0600の鉛フリー品である
THIS PRODUCT IS LEAD FREE OF 55100-0600.



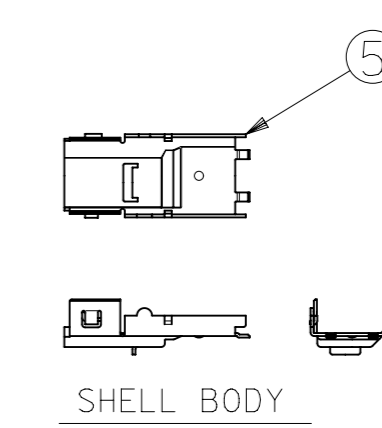
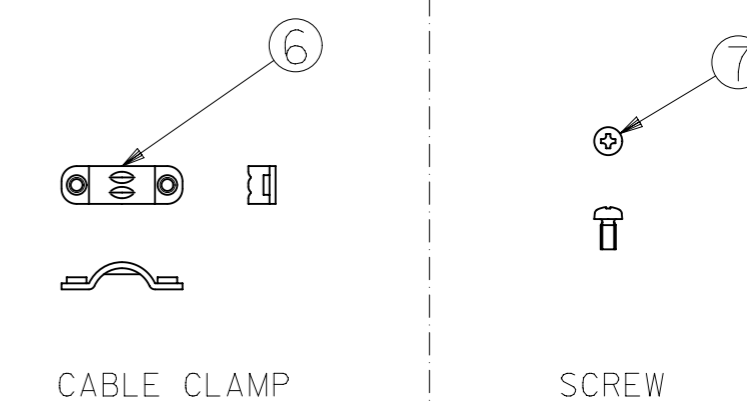
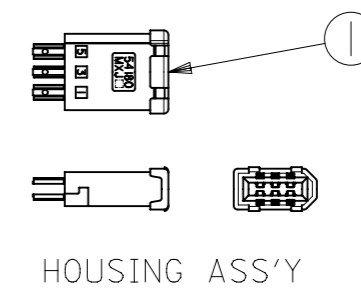
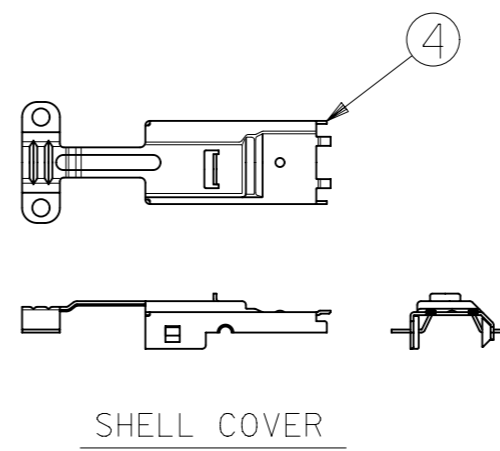
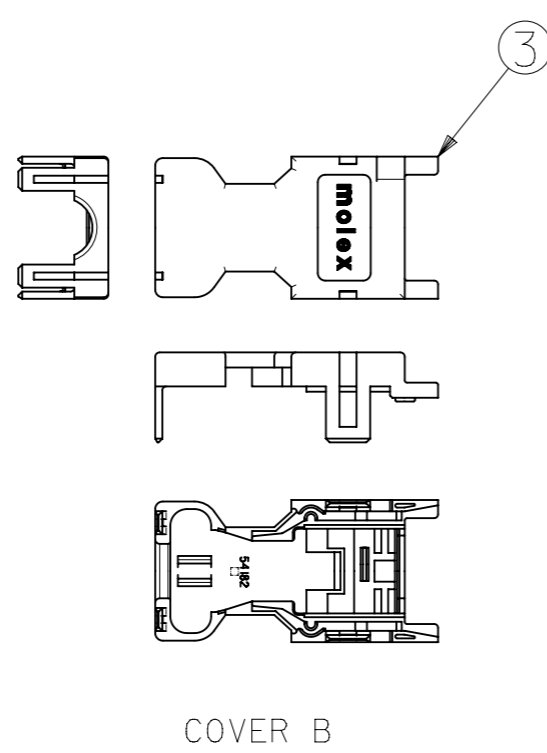
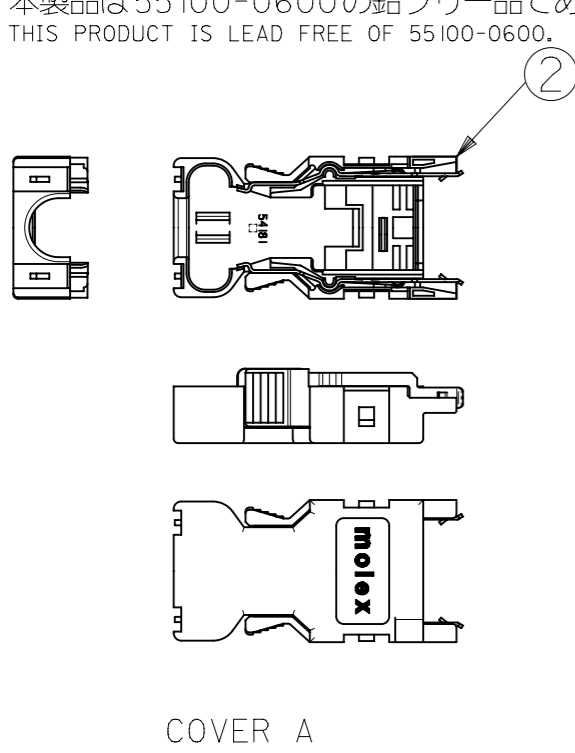
GRAY	TRAY & POLY BAG	55100-0680	55100-***0
	POLY BAG	55100-0670	
COVER COLOR	PACKAGE METHOD	MATERIAL No.	MODEL No.

THIS DRAWING CONTAINS INFORMATION THAT IS PROPRIETARY TO MOLEX ELECTRONIC TECHNOLOGIES, LLC AND SHOULD NOT BE USED WITHOUT WRITTEN PERMISSION			
DIMENSION UNITS mm	SCALE NTS	CURRENT REV DESC:	
GENERAL TOLERANCES (UNLESS SPECIFIED)			
ANGULAR TOL	± °		
4 PLACES	±		
3 PLACES	±		
2 PLACES	±		
1 PLACE	±	EC NO: 627599 DRWN: KTAKEUCHI01 2019/10/02 CHK'D: TKON 2019/11/19 APPR: ASHIMOTSU 2019/11/19 INITIAL REVISION: DRWN: HKAWABATA 2004/05/21 APPR: MSASAO 2004/05/21	
0 PLACES	±	PRODUCT CUSTOMER DRAWING DOCUMENT NUMBER: SD-55100-004 DOC TYPE: PSD DOC PART: 001 REVISION: C	
DRAFT WHERE APPLICABLE MUST REMAIN WITHIN DIMENSIONS	THIRD ANGLE PROJECTION	DRAWING A3-SIZE	SERIES 55100
		MATERIAL NUMBER SEE TABLE	CUSTOMER GENERAL MARKET
		SHEET NUMBER 1 OF 2	

部品構成
PARTS CONSTRUCTION

部番 NO.	部品名 PART NAME	製品番号 ENG. NO.	個数 QUAN.	材質 MATERIAL
①	ハウジングアッセンブリ HOUSING ASS'Y	54180-0619	1	ハウジング：ガラス入り耐熱樹脂 UL94V-0 色：黒 HOUSING : G.F. HEAT RESISTANT PLASTIC UL94V-0 COLOR : BLACK ターミナル：りん青銅 t0.3 TERMINAL : PHOSPHOR BRONZE t0.3 メッキ仕様 接点部：ニッケル下地金メッキ PLATING CONTACT AREA : GOLD OVER NICKEL 結線部：ニッケル下地錫メッキ WIRE TERMINATION AREA : TIN OVER NICKEL
②	カバーA COVER A	54181-0616	1	カバーA：ガラス入りポリカーボネイト樹脂 COVER A : POLYCARBONATE G.F. UL94V-0 色：黒 UL94V-0 COLOR : BLACK スプリングラッチ：ステンレス鋼 t0.4 SPRING LATCH : STAINLESS STEEL t0.4
③	カバーB COVER B	54182-0606	1	ガラス入りポリカーボネイト樹脂 UL94V-0 色：黒 POLYCARBONATE G.F. UL94V-0 COLOR : BLACK
④	シエル カバー SHELL COVER	58299-0626	1	鋼 t0.4 STEEL t0.4
⑤	シエル ボディ SHELL BODY	58300-0626	1	メッキ仕様：ニッケル下地、錫メッキ PLATING : NICKEL BASE, TIN PLATING
⑥	ケーブルクランプ CABLE CLAMP	58303-0000	1	ステンレス鋼 STAINLESS STEEL
⑦	十字穴付きなべ小ネジ CROSS RECESSED PAN HEAD MACHINE SCREW	59832-0009	2	黄銅(ネジサイズ：M2X4) BRASS (SCREW SIZE : M2X4)

NOTES:
本製品は55100-0600の鉛フリー品である
THIS PRODUCT IS LEAD FREE OF 55100-0600.



BLACK	POLY BAG	55100-0671	55100-***1
COVER COLOR	PACKAGE METHOD	MATERIAL No.	MODEL No.

DIMENSION UNITS		SCALE		CURRENT REV DESC:				molex			
mm	NTS							2.0 I/O CONN.PLUG SET			
GENERAL TOLERANCES (UNLESS SPECIFIED)				EC NO: 627599				PRODUCT CUSTOMER DRAWING			
ANGULAR TOL ± °				DRWN: KTAKEUCHI01 2019/10/02				DOCUMENT NUMBER			
4 PLACES ±				CHK'D: TKON 2019/11/19				SD-55100-004			
3 PLACES ±				APPR: ASHIMOTSU 2019/11/19				DOC TYPE DOC PART REVISION			
2 PLACES ±				INITIAL REVISION:				PSD 001 C			
1 PLACE ±				DRWN: HKAWABATA 2004/05/21				MATERIAL NUMBER			
0 PLACES ±				APPR: MSASAO 2004/05/21				CUSTOMER			
DRAFT WHERE APPLICABLE MUST REMAIN WITHIN DIMENSIONS				THIRD ANGLE PROJECTION		DRAWING		SERIES		SHEET NUMBER	
				A3-SIZE		55100		SEE TABLE		GENERAL MARKET 2 OF 2	