

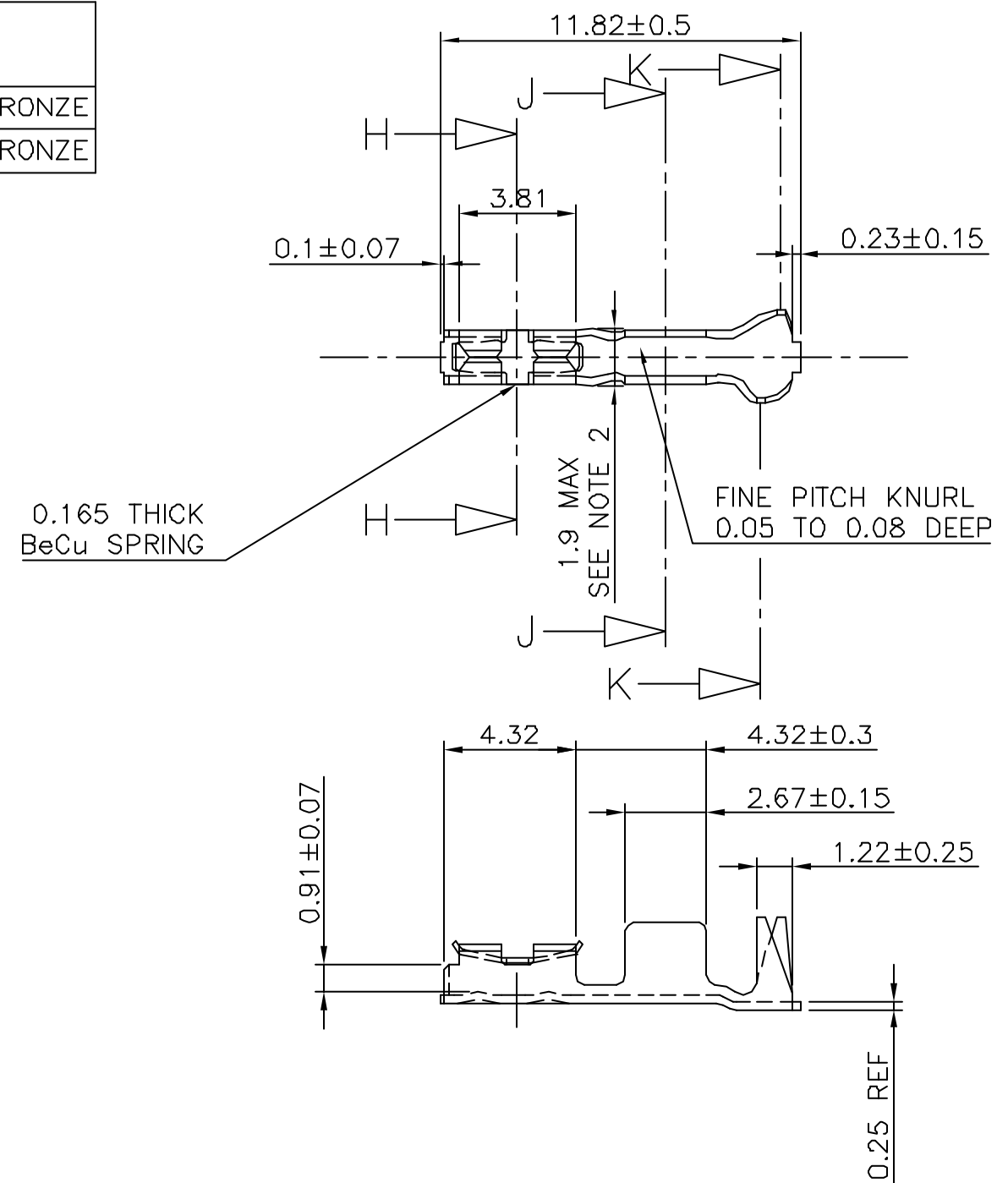
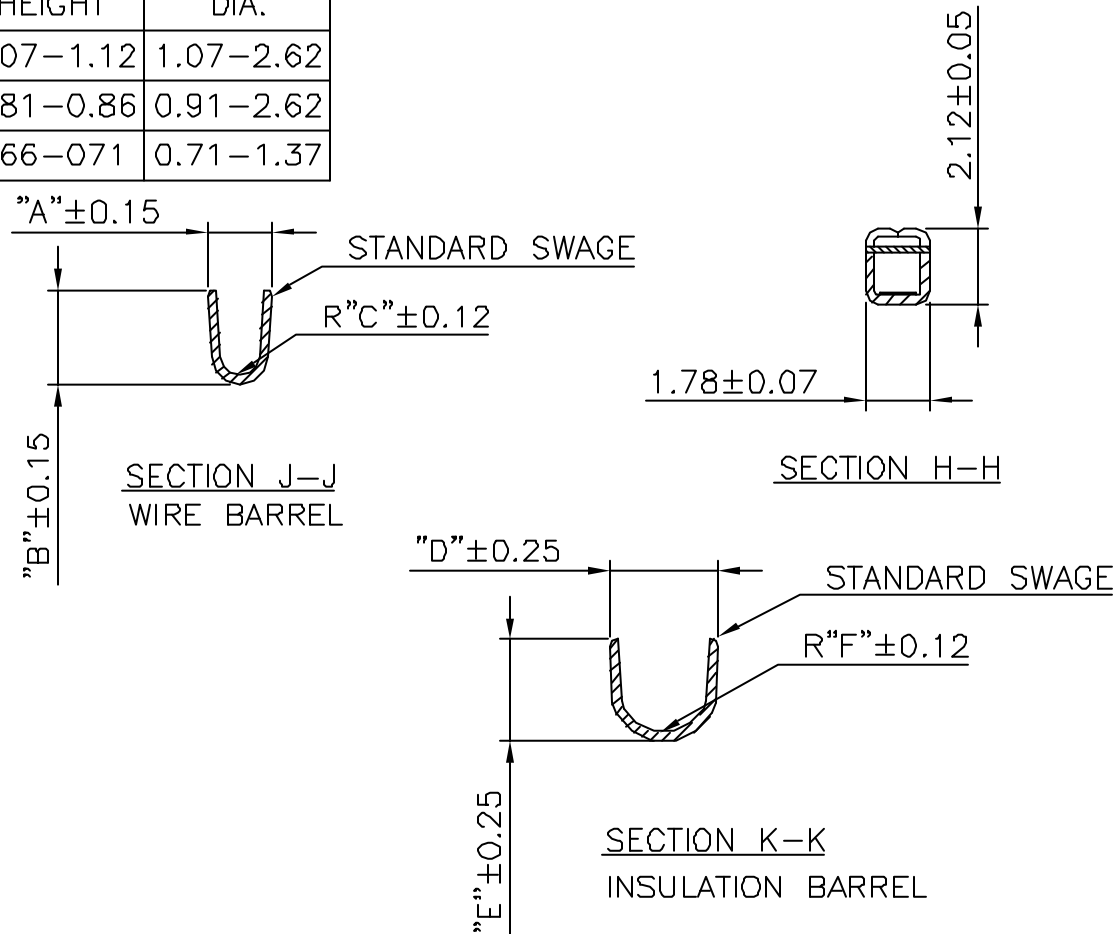
PRODUCT NO.	WIRE BARREL			INSULATION BRL.			AWG RANGE	BODY PLATING	SPRING PLATING	MATERIAL BODY
	A	B	C	D	E	F				
75375-005LF	1.78	1.78	0.43	3.53	3.05	1.27	22-26	TIN	TIN	1/2 HD PHOS.BRONZE
75375-006LF	2.64	2.64	0.53	3.53	3.05	1.27	18-20	TIN	TIN	1/2 HD PHOS.BRONZE

WHEN NEEDED, SUFFIX LETTER "LF" INDICATES THE PRODUCT IS RoHS COMPLIANT, SEE NOTE 4

WHEN SUFFIX "LF" IS REQUIRED, 2µm MIN MATTE TIN OVER 1.27 MIN NI IS SUPPLIED INSTEAD OF SnPb.

JUMBO PV DISCRETE CONTACT		
WIRE SIZE AWG	CRIMP HEIGHT	INSULATION DIA.
18-20	1.07-1.12	1.07-2.62
22-26	0.81-0.86	0.91-2.62
28-32	0.66-0.71	0.71-1.37

RECOMMENDED WIRE STRIP LENGTH: 3.81±0.25



NOTES:

- 1- PART TO MATE WITH 1.02 ROUND OR SQUARE PIN
  - 2- DIM ONLY FOR -003
  - 3- PERFORMANCE TEST ACCORDING TO BUS-12-110
  - 4- RoHS COMPATIBLE PRODUCT SPECIFICATIONS
    - a - PLATING:
      - "LF" MEANS THE PRODUCT IS LEAD-FREE, 2µm MINIMUM MATTE TIN OVER 1.27µm MINIMUM NICKEL UNDERPLATE.
    - b - LABELING:
      - MEETS PACKAGING SPECS AS PER GS-14-920
    - c - LEGAL STATEMENT: SEE GS-22-008
- THE PRODUCT IS NOT INTENDED TO BE EXPOSED TO A MANUFACTURING SOLDER PROCESS.

mat'l. code SEE DRAWING		surface ISO 1302 ✓	tolerance ISO 406 ISO 101	projection 101	product family BERGCON
Ltr	ecn no	dr	date	tolerances unless otherwise specified	title JUMBO P.V. ASSEMBLY
K	F40421	PNZ	94.06	±13	scale 10:1
L	F05-0235	DLE	05.08.25	linear	
M	F05-0286	DLE	05.11.07	±2'	FCJ
N	F06-0217	DLE	06.07.11	dr D LEGRAND 05.08.02	
P	F07-0120	DLE	07.01.31	enr P NIZZI 05.08.02	
				chr COMPAGNON 05.08.02	
				appd P NZ 05.08.02	type CUSTOMER Drawing
sheet index	revision sheet				