

# Type APX-I Automotive Blade Fuse Maxi – LED Indicating



www.optifuse.com (619) 593-5050

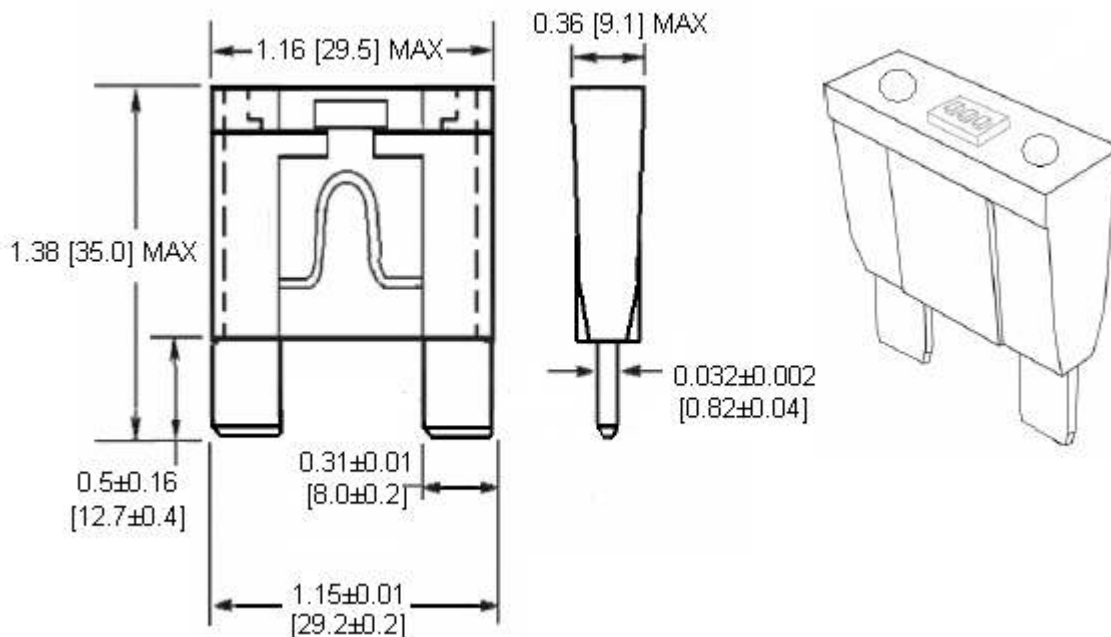
## Specifications:

- Voltage: 32V DC
- Amperage: 20A, 30A, 40A, 50A, 60A, 70A, 80A, 100A
- Body: Resin
- Terminals: Zinc Alloy
- Designed to meet American National Standard SAE – J1888 - ISO8820-3

Part Number	Amperage	Body Color
APX-I-20A	20A	Yellow
APX-I-30A	30A	Green
APX-I-40A	40A	Orange
APX-I-50A	50A	Red
APX-I-60A	60A	Blue
APX-I-70A	70A	Tan
APX-I-80A	80A	Clear
APX-I-100A	100A	Violet

Time Characteristics:		
% of Rated Current	Min Hold Time	Max Hold Time
110%	100h	
135%	750ms	1800s
200%	150ms	5s
350%	80ms	250ms

## Mechanical Dimensions: Inches [mm]



## Warning:



-Operation beyond the specified maximum ratings or improper use may result in damage and possible electrical arcing and/or flame.

-Avoid contact of device with chemical solvent. Prolonged contact will damage the device performance.