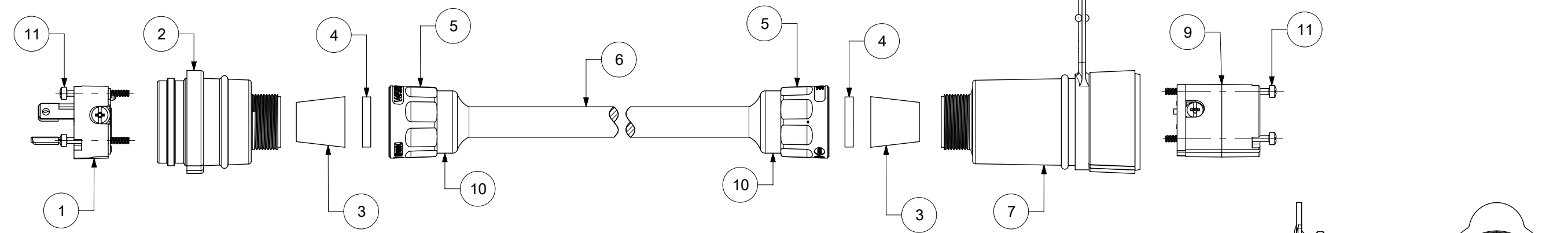
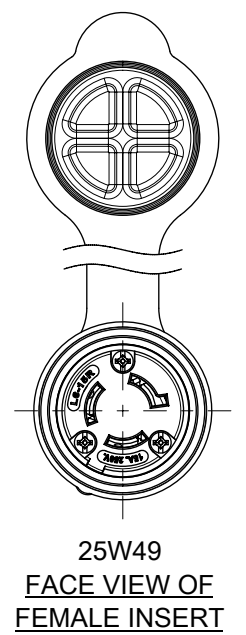
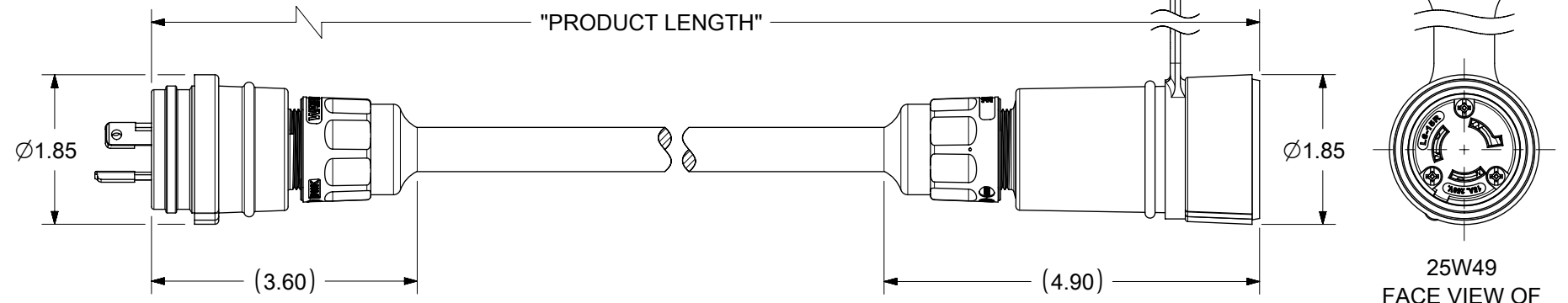


| MATERIAL NO. | ENGINEERING NO. | DESCRIPTION | PRODUCT LENGTH |
|--------------|-----------------|--------------------------------|----------------------|
| 1301430198 | 24W49A143 | 24W49 W/25' 14-3 CORD & 25W49 | 25 FT +12.0/-0.0 IN |
| 1301430199 | 24W49D143 | 24W49 W/100' 14-3 CORD & 25W49 | 100 FT +24.0/-0.0 IN |

NEMA L6-15; 15A/250V; 2-POLE/3-WIRE



| ITEM NO. | DESCRIPTION | MATERIAL | QTY. |
|----------|-------------------------|------------------------------------------------------|------|
| 1 | MALE INSERT ASSY. | NYLON, POLYCARBONATE, BRASS PLATING - NICKEL OR ZINC | 1 |
| 2 | WATERTITE - MALE HUSK | SILICONE | 1 |
| 3 | GROMMET | RUBBER | 2 |
| 4 | FRICITION RING | NYLON | 2 |
| 5 | COMPRESSION NUT YELLOW | NYLON | 2 |
| 6 | YELLOW SOOW CORD | COPPER WIRE | 1 |
| 7 | WATERTITE - FEMALE HUSK | SILICONE | 1 |
| 8 | CLOSURE CAP YELLOW | SILICONE | 1 |
| 9 | FEMALE INSERT ASSY. | NYLON, POLYCARBONATE, BRASS PLATING - NICKEL OR ZINC | 1 |
| 10 | CABLE GLOVE | SILICONE | 2 |
| 11 | RETAINING SCREW | STAINLESS STEEL | 6 |



| | | | |
|-----------------|------------------------------------------------------|-----------------------------------------------------------------------------------------------------------------------------------------------|-----------------------------------------------------------------------------------------------|
| SYMBOLS | | THIS DRAWING CONTAINS INFORMATION THAT IS PROPRIETARY TO MOLEX ELECTRONIC TECHNOLOGIES, LLC AND SHOULD NOT BE USED WITHOUT WRITTEN PERMISSION | |
| ▽ = 0 | INCH | SCALE | CURRENT REV DESC: NEW SALE DRAWING CREATED. |
| ▽ = 0 | NTS | | |
| ▽ = 0 | GENERAL TOLERANCES (UNLESS SPECIFIED) | | molex WATERTITE CORDSET PLUG AND CONNECTOR WITH CORD PRODUCT CUSTOMER DRAWING |
| ▽ = 0 | ANGULAR TOL ± ° | | |
| ▽ = 0 | 4 PLACES | ± | |
| ▽ = 0 | 3 PLACES | ± | |
| ▽ = 0 | 2 PLACES | ± | |
| ▽ = 0 | 1 PLACE | ± | INITIAL REVISION: |
| ▽ = 0 | 0 PLACES | ± | DRWN: PPURSUTANDEL 2019/07/05 |
| ▽ = 0 | DRAFT WHERE APPLICABLE MUST REMAIN WITHIN DIMENSIONS | | CHK'D: DNGUYEN62 2019/08/07 |
| ▽ = 0 | THIRD ANGLE PROJECTION | | APPR: HKNEELAND 2020/05/19 |
| DRAWING | | SERIES | DOCUMENT NUMBER |
| B-SIZE | | 130143 | 1301430198 |
| MATERIAL NUMBER | | CUSTOMER | DOC TYPE DOC PART REVISION |
| SEE TABLE | | GENERAL MARKET | PSD 000 A |
| SHEET NUMBER | | 1 OF 1 | |