

**Surface Mount Attenuator**

**60 Watts, 30dB**



**Description:**

The XRA60CC30SES is high performance Aluminum Nitride (AlN) surface mount attenuator. This attenuator is designed particularly for LTE and 5G frequency bands and is well suited for all other cellular frequency bands such as; AMPS, GSM, DCS, PCS, PHS and UMTS. This attenuator is also RoHS compliant!

**Features:**

- RoHS Compliant
- 60 Watts
- DC – 6 GHz
- AlN Ceramic
- Non-Nichrome Resistive Element
- Low VSWR
- 100% Tested

**General Specifications:**

<b>Resistive Element</b>	Thick film
<b>Substrate</b>	AlN Ceramic
<b>Terminal Finish</b>	Matte Tin over Nickel Barrier
<b>Operating Temperature</b>	-55 to +150°C (see de rating chart)

**Electrical Specifications:**

<b>Attenuation Value:</b>	30.5 dB	±2.0 dB (DC – 2.3 GHz)
		±1.5 dB (2.3 – 5.0 GHz)
		±3.5 dB (5.0 – 6.0 GHz)
<b>Power:</b>	60 Watts	
<b>Frequency Range:</b>	DC – 6.0 GHz	
<b>Input Return Loss:</b>	20 dB (DC – 5.0 GHz)	
	16 dB (5.0 – 6.0 GHz)	

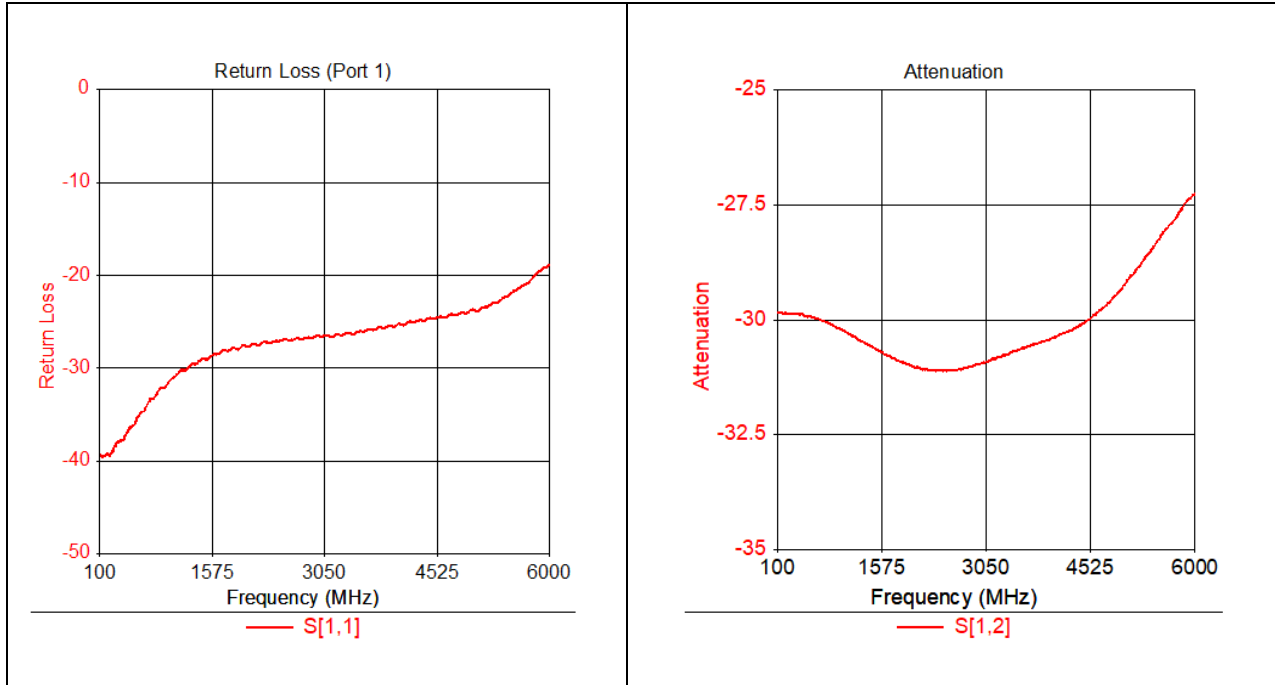
Specification based on unit properly installed using suggested mounting instructions and a 50 ohm nominal impedance. **Specifications subject to change.**

**Outline Drawing:**

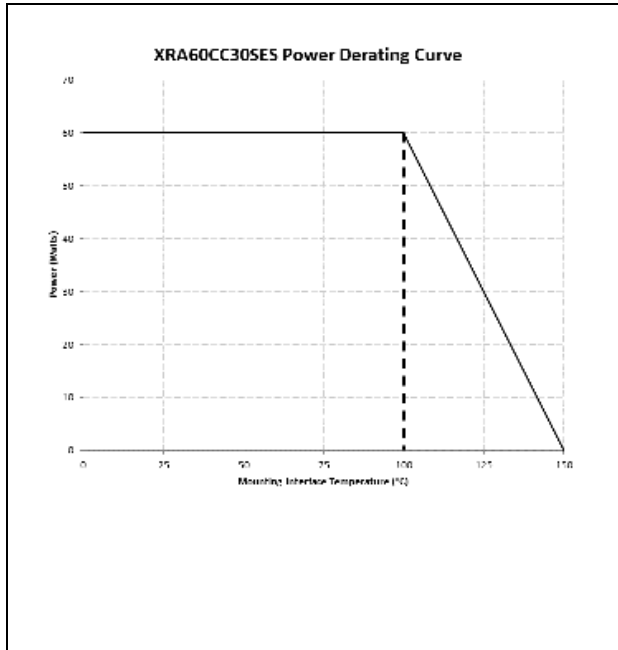
PAD X CAN ONLY BE USED AS INPUT. PAD Y CAN ONLY BE USED AS OUTPUT.  
UNLESS OTHERWISE SPECIFIED DIMENSIONS ARE IN INCHES

Tolerance is ±0.010", unless otherwise specified. Designed to meet or exceed applicable portions of MIL-E-5400. All dimensions in inches.

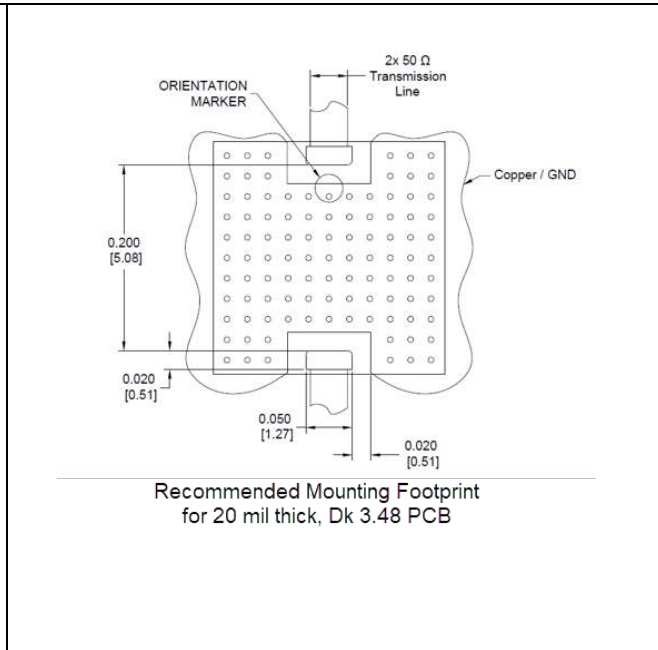
**Typical Performance:**



**Power de-rating:**



**Mounting Footprint:**



**Tape & Reel:**

Unless otherwise specified dimensions are in mm.

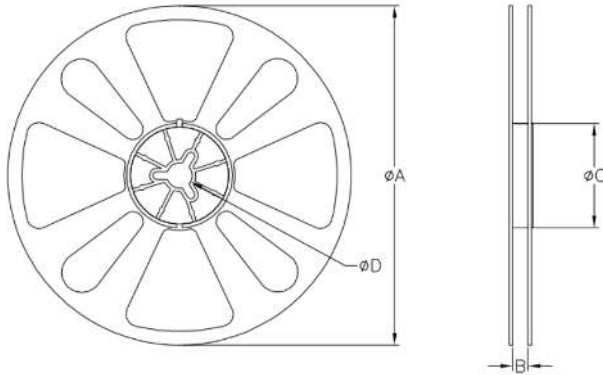
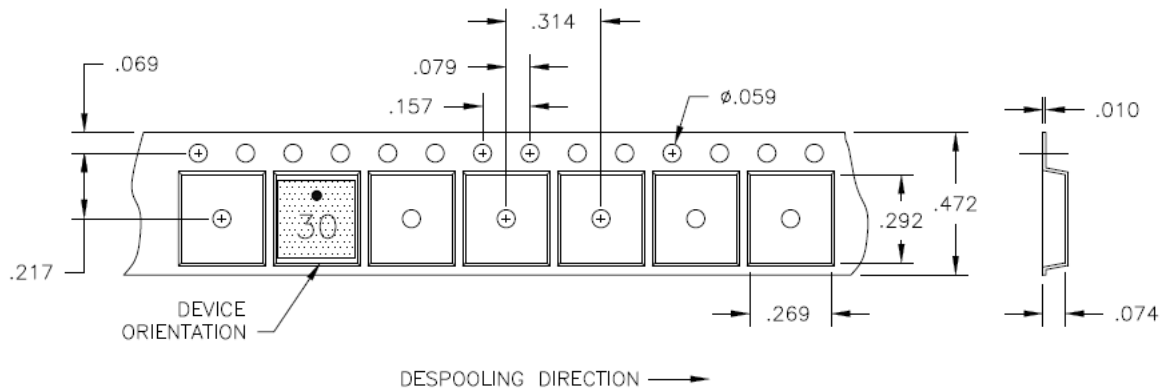


TABLE 1		
QUANTITY/REEL	REEL DIMENSIONS mm	
1000	$\phi A$	177.80
	B	12.00
	$\phi C$	50.80
	$\phi D$	13.00



Contact us:  
[rf&s\\_support@ttm.com](mailto:rf&s_support@ttm.com)