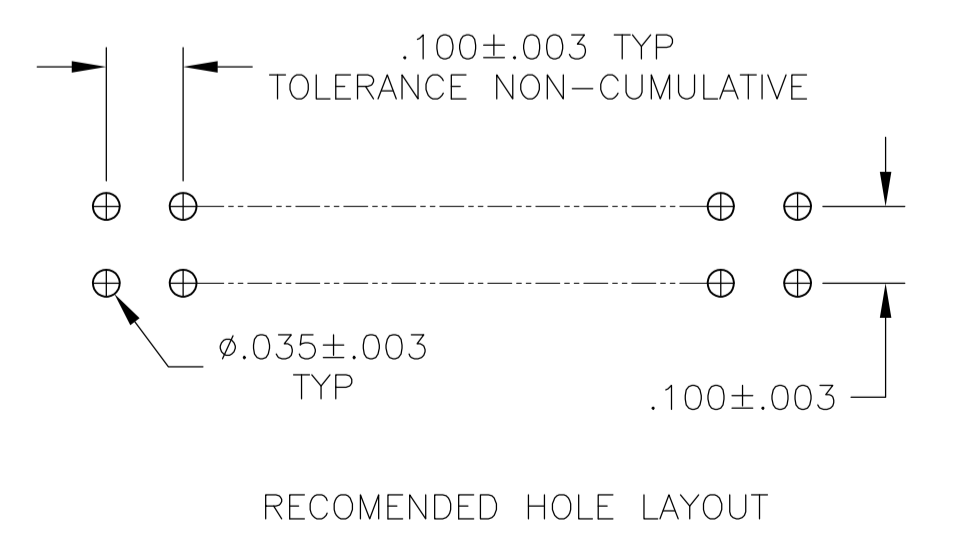
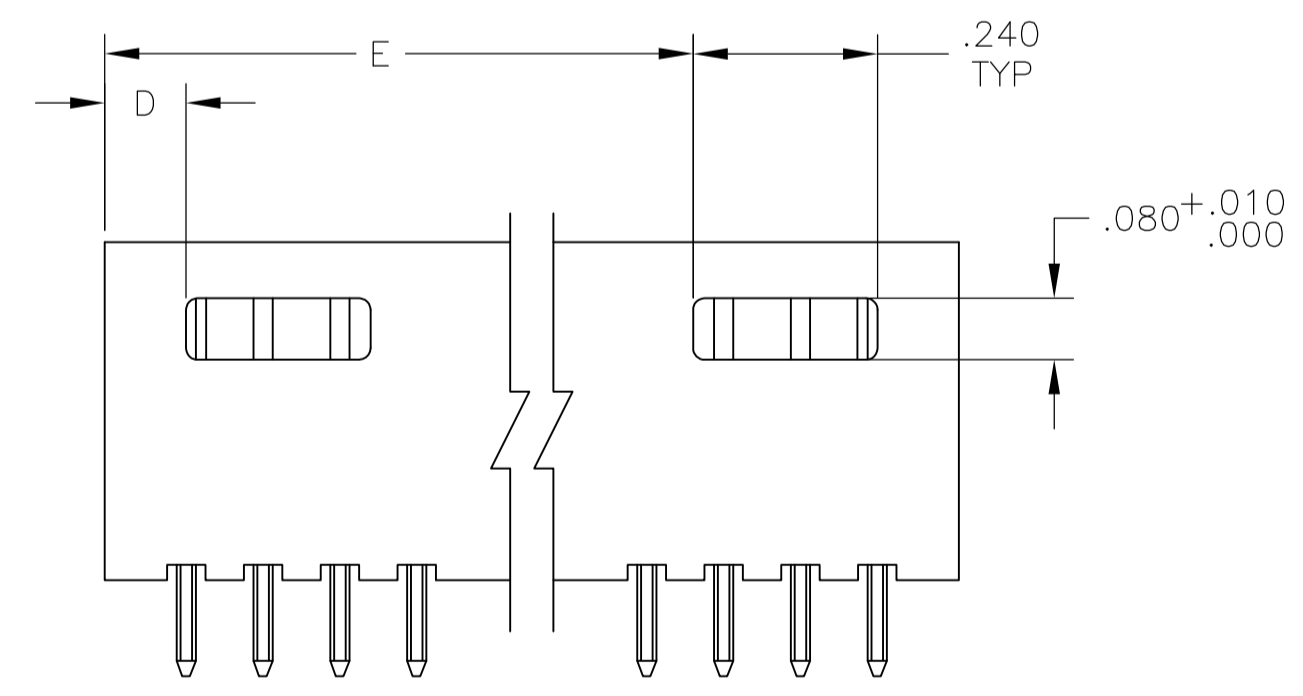
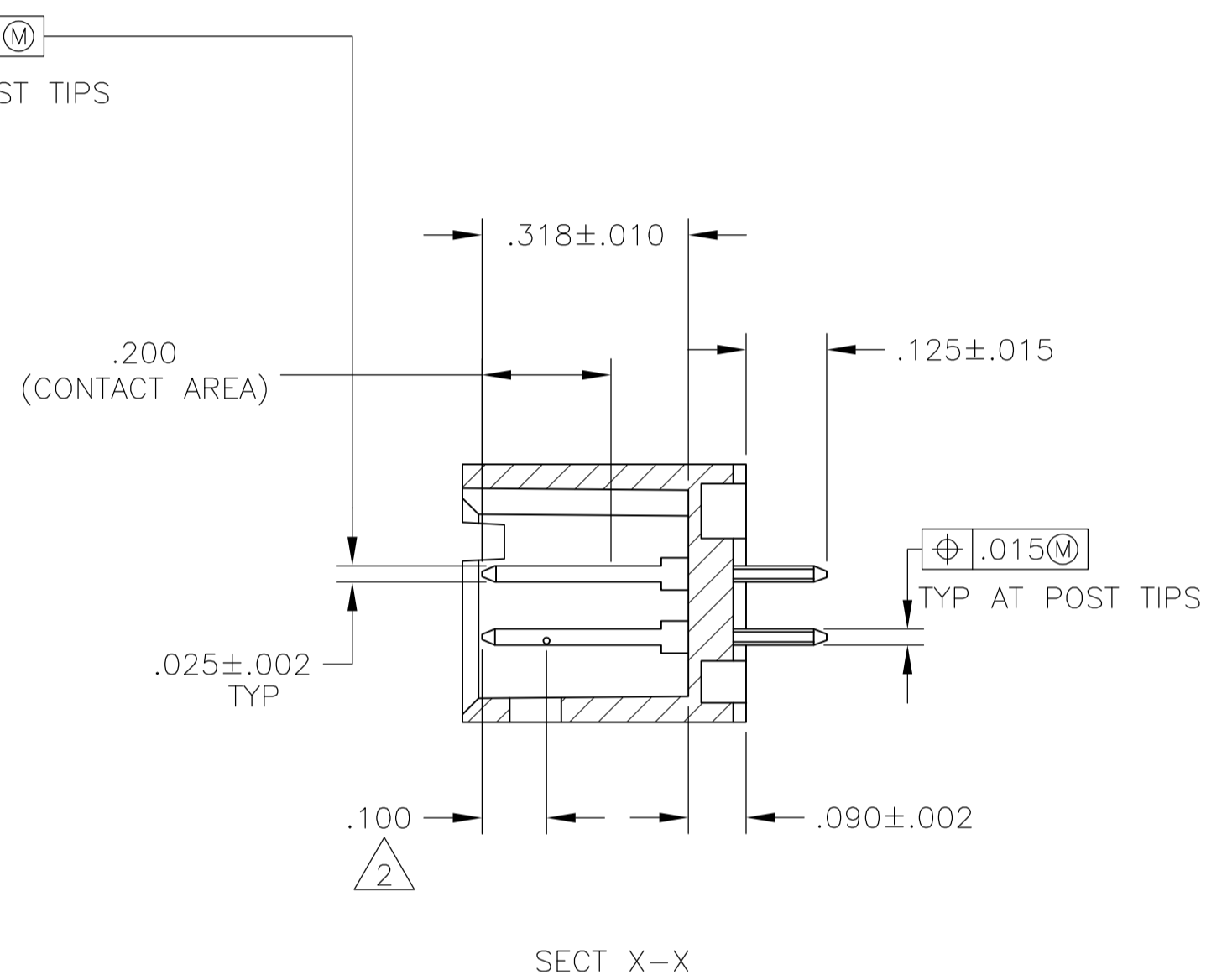
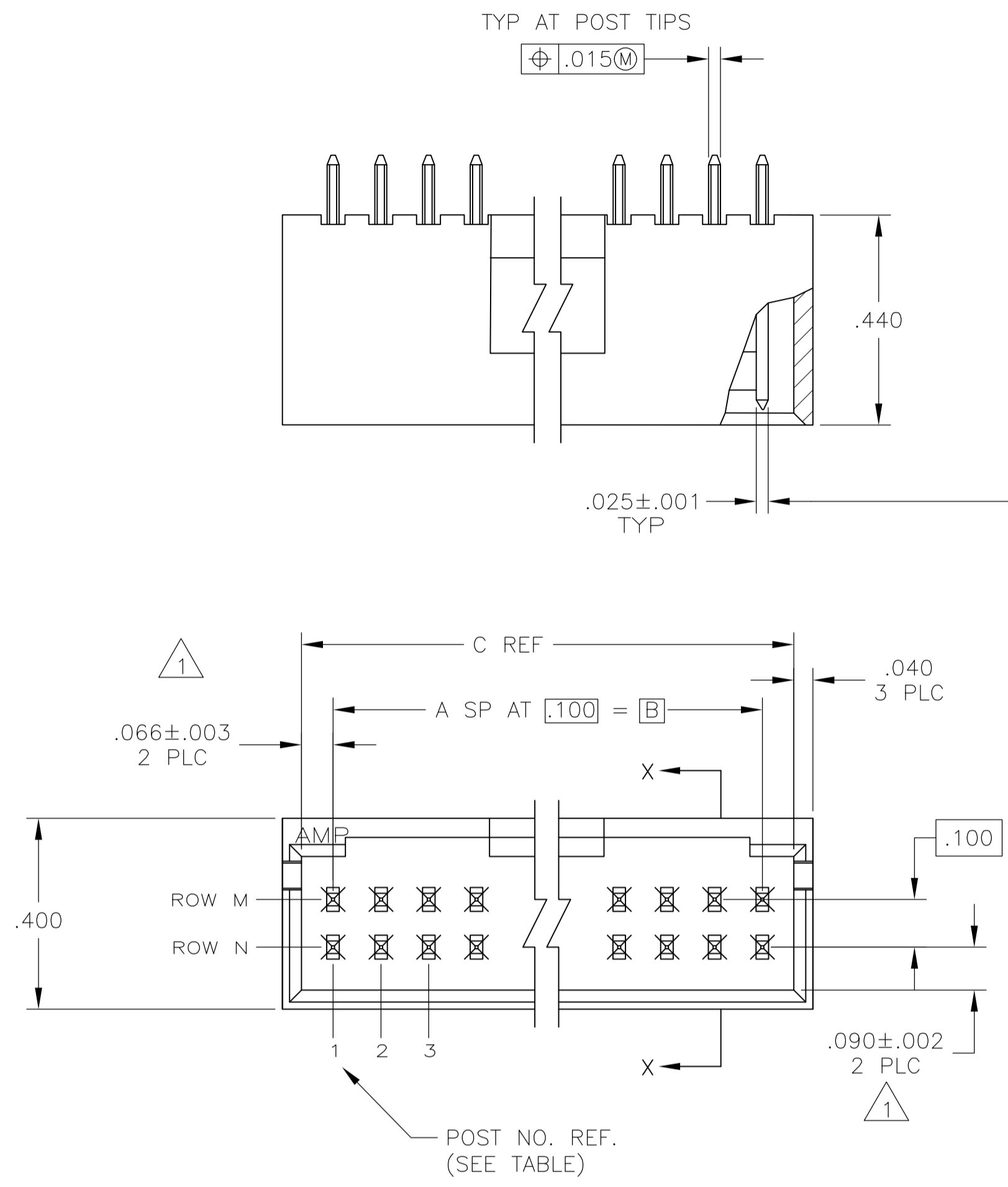


- 1 THE NOTED DIMENSIONS APPLY AT THE INTERSECTION OF THE POST AND HOUSING
- 2 POINT OF MEASUREMENT FOR PLATING THICKNESS
- 3 FINISH: POSTS-.000015 GOLD IN CONTACT AREA, .000100-.000200 MATTE TIN ON SOLDER TAIL, ALL OVER .000050 NICKEL
- 4 MATERIALS: HOUSING- FLAME RETARDANT THERMOPLASTIC, COLOR-BLACK
POSTS- PHOS BRONZE



1	NONE	—	.206	.532	.400	4	10	1977156-1
ROW M	ROW N	E	D	C	B	A	NO. OF POSN	ASSEMBLY PART NUMBER
POST NO. OMITTED								

THIS DRAWING IS A CONTROLLED DOCUMENT.		DIN R BROWN 21JUN2007	Tyco Electronics Corporation Harrisburg, Pa 17105-3608
DIMENSIONS: INCHES		CHK J GESFORD 21JUN2007	
TOLERANCES UNLESS OTHERWISE SPECIFIED:		APVD J GESFORD 21JUN2007	NAME: HDR ASSY, MOD II, SHROUDED, 4 SIDES, DBL ROW, VERTICAL, .100X.100 C/L, WITH .025 SQ POSTS
0 PLC ± -	1 PLC ± -	PRODUCT SPEC	APPLICATION SPEC
2 PLC ± -	3 PLC ± .005	SIZE	CAGE CODE DRAWING NO
4 PLC ± -	ANGLES ± ± -	WEIGHT	RESTRICTED TO
MATERIAL 4	FINISH 3	A1 00779 C=1977156	CUSTOMER DRAWING
		SCALE 4:1	SHEET 1 OF 1 REV A