

4

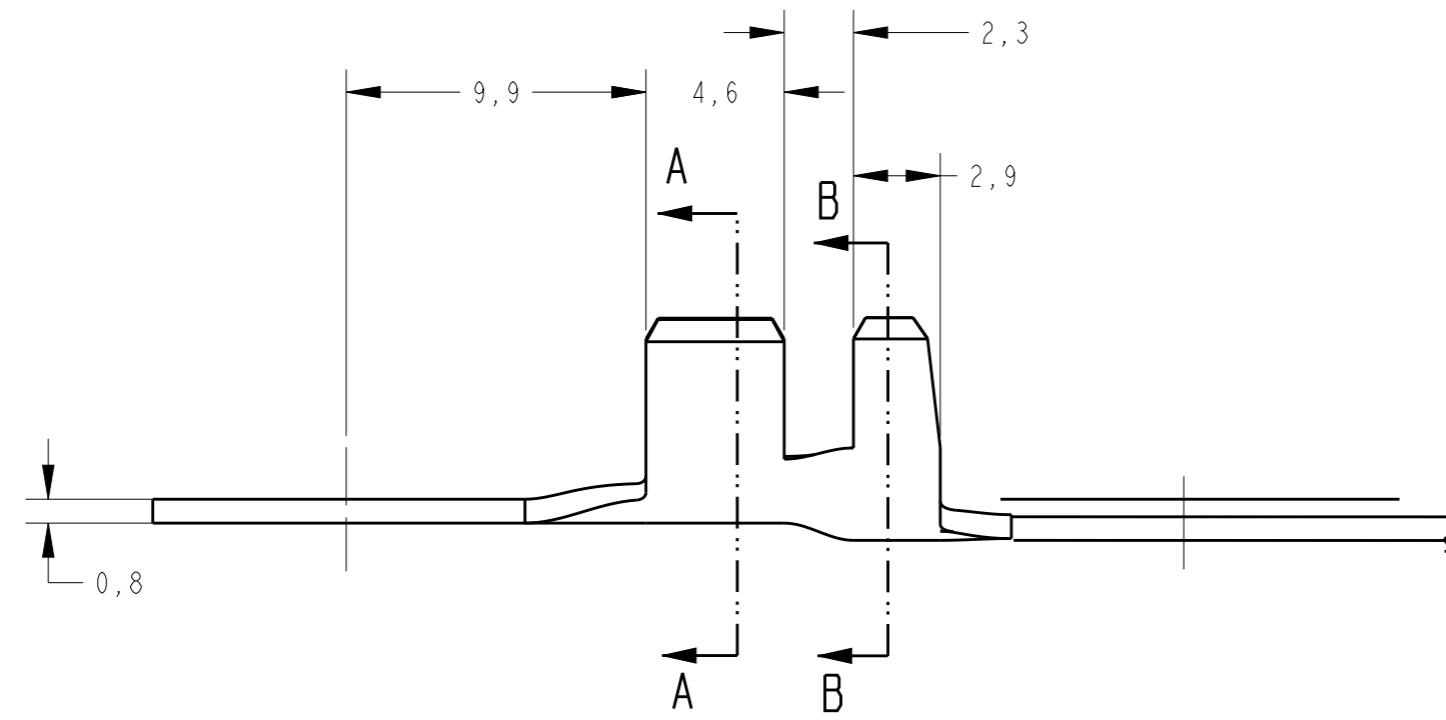
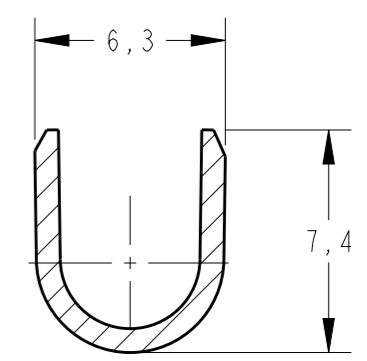
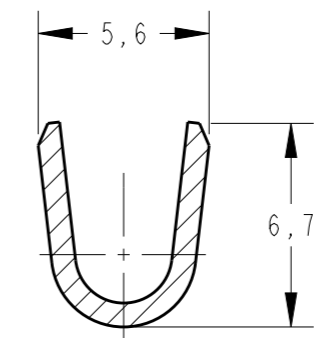
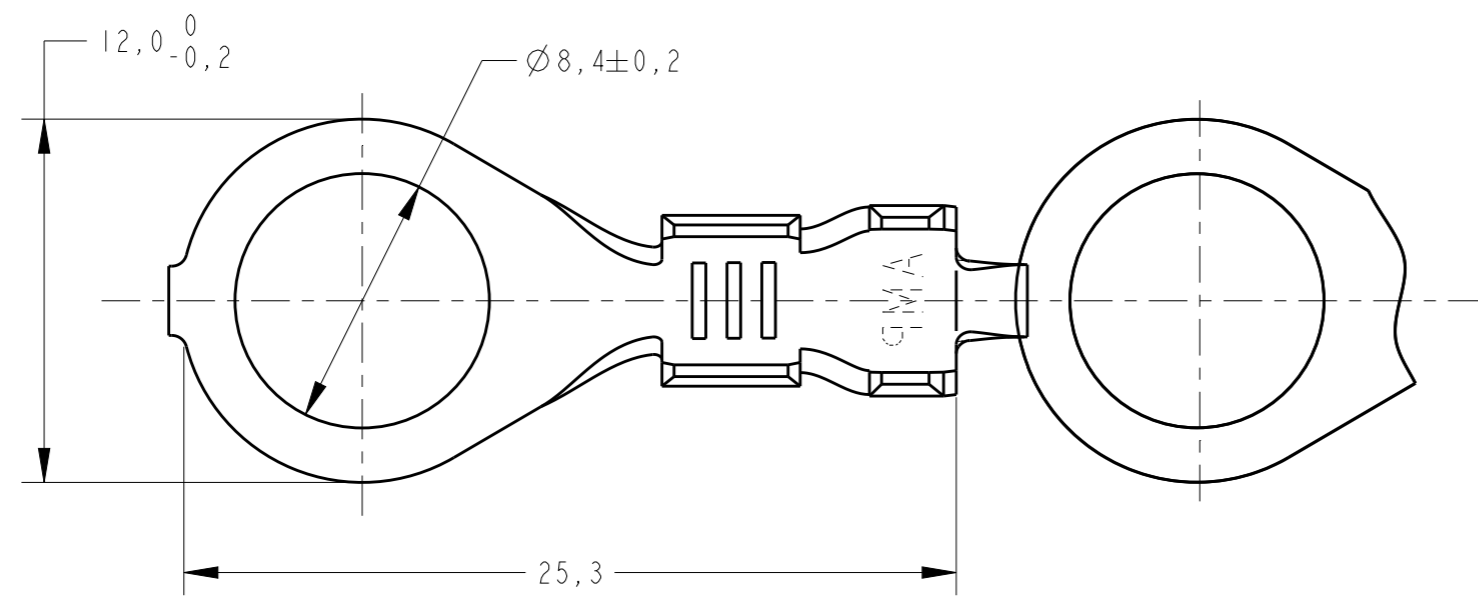
3

2

1

THIS DRAWING IS UNPUBLISHED. RELEASED FOR PUBLICATION 20
 © COPYRIGHT 20 BY - ALL RIGHTS RESERVED.

REVISIONS					
P	LTR	DESCRIPTION	DATE	DWN	APVD
	G3	REDRAWN BY ECO-10-009304	17MAY2010	FC	JRG
	G4	REVISED BY ECO 16-005813	18JULY2016	HC	WLS



OBSOLETE	---	BRONZE FOSF. / PHOSP. BRONZE	626038-3
	PRE ESTANHADO/PRE TIN PLATED	LATÃO / BRASS	626038-2
OBSOLETE	---	LATÃO / BRASS	626038-1
	FINISH	MATERIAL	PART NO

VIRE RANGE (mm ²) 4 - 6	
INSUL / RANGE (Ømm) 3,2 - 5,3	
SURF AREA	---
APPL. FEED	TRIMMING BURR
---	---
WDW 14,22	IDW 16,26
REELING 107--	
SPLICE 115--	

THIS DRAWING IS A CONTROLLED DOCUMENT.	
DIMENSIONS:	TOLERANCES UNLESS OTHERWISE SPECIFIED:
mm	
	0 PLC ±-
	1 PLC ±0,3
	2 PLC ±-
	3 PLC ±-
	4 PLC ±-
	ANGLES ±1°
MATERIAL	FINISH
SEE TABLE	SEE TABLE

DWN	08JUN1999
CHK	A. PERUSSI
APVD	P.L.FARIA
	17JUN1999
	F. GROLIA
	17JUN1999
PRODUCT SPEC	-
APPLICATION SPEC	-
WEIGHT	-
CUSTOMER DRAWING	

TE Connectivity		NAME		RESTRICTED TO
		RING TONGUE		
SIZE	CAGE CODE	DRAWING NO		
A3	00779	©-626038		
SCALE		SHEET	OF	REV
4:1		1	1	G4