

THIS DRAWING IS UNPUBLISHED.

RELEASED FOR PUBLICATION OCT , 2003.

© COPYRIGHT 2003 By -

ALL RIGHTS RESERVED.

| LOC | DIST | REVISIONS | | | |
|-----|------|-------------|---------------------------|-----------|-------|
| P | LTR | DESCRIPTION | DATE | DWN | APVD |
| E | B | C | REVISED PER ECO-14-000651 | 05FEB2014 | AP SB |

1 FOR LOCAL DATA REFER TO YOUR LOCAL TE CONNECTIVITY SALES OFFICE.

2 ALL DIMENSIONS ARE NOMINAL FOR REFERENCE ONLY UNLESS OTHERWISE STATED.

3 MATERIAL :

HOUSING : THERMOPLASTIC, UL94V-0
BLACK COLOR

CONTACTS : PHOSPHOR BRONZE

SHELL : STEEL

BOARD LOCK : BRASS

SCREW : BRASS

4 FINISH :

CONTACT : 0.38µm MIN.GOLD PLATED ON CONTACT AREA
2.54µm MIN. TIN PLATED ON SOLDER TAILS
1.27µm MIN. NICKEL UNDERPLATED OVERALL

SHELL : 2.54 µm MIN NICKEL PLATED.

BOARD LOCK : 1.52µm MIN. TIN PLATED

SCREW : 1.27µm MIN. NICKEL PLATED.

5 CHARACTERISTICS

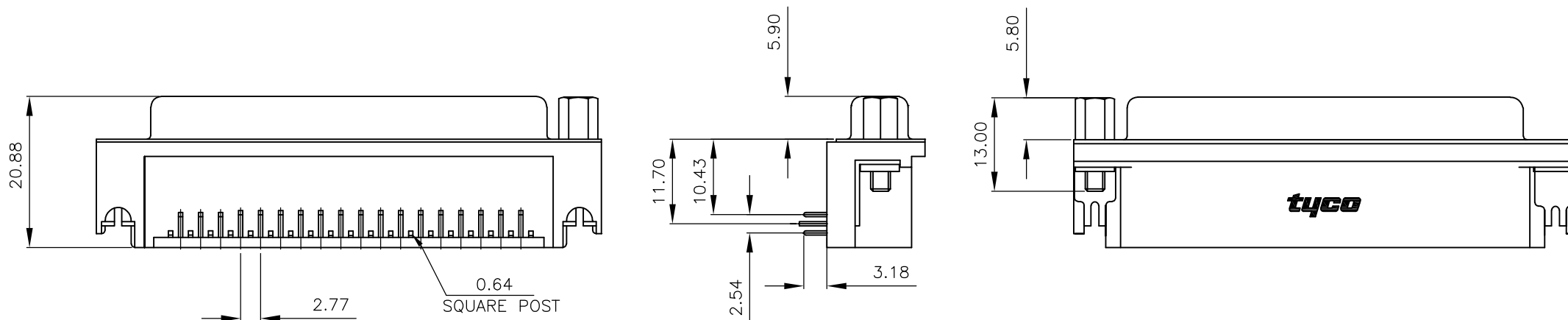
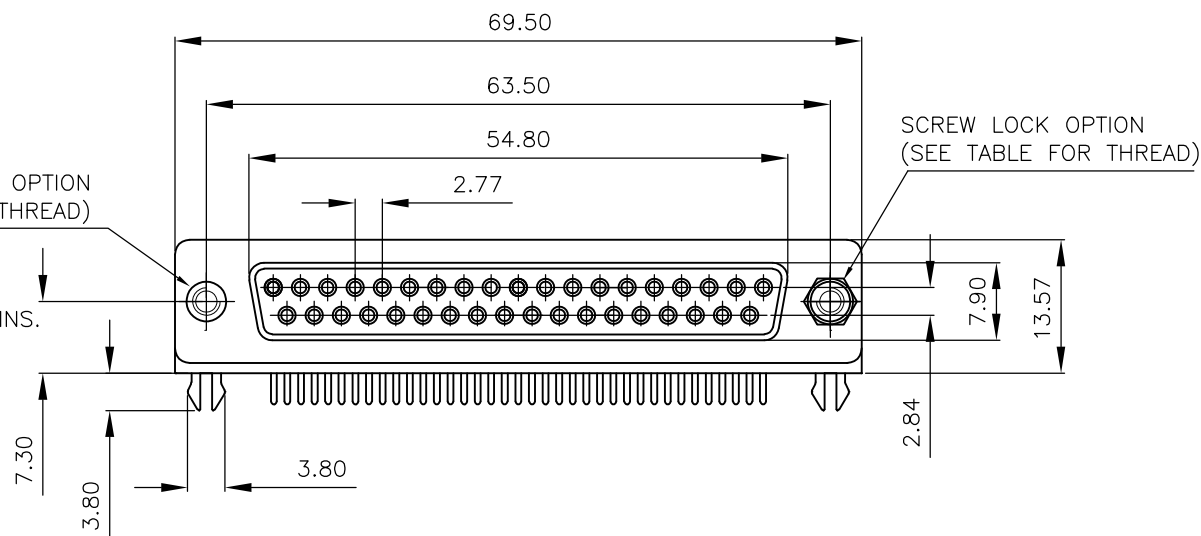
CURRENT RATING : 5A

INSULATION RESISTANCE : 1000MOHMS MIN, 500VDC FOR 2MINS.

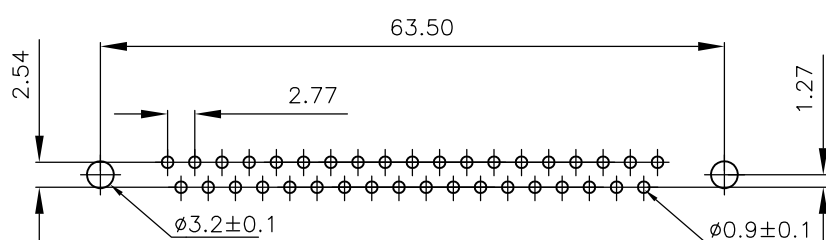
TEMPERATURE RATING : -55DEGC ~ +105DEGC

VOLTAGE RATING : 250VDC

6 OBSOLETE PARTS: OBSOLETE CIS STREAMLINING PER D.RENAUD/D.SINISI.



P.C.B. LAYOUT



| | | |
|------------|---|-------------|
| 6 OBSOLETE | 37 WAY D SOCKET WITH BOARD LOCKS & 2 x M3 SCREW LOCKS, 0.38µm GOLD, RIGHT ANGLE | 4-1634587-2 |
| | 37 WAY D SOCKET WITH BOARD LOCKS & 2 x 4-40 SCREW LOCKS, 0.38µm GOLD, RIGHT ANGLE | 3-1634587-2 |
| 6 OBSOLETE | 37 WAY D SOCKET WITH BOARD LOCKS & 2 x M3 INSERTS, 0.38µm GOLD, RIGHT ANGLE | 2-1634587-2 |
| | 37 WAY D SOCKET WITH BOARD LOCKS & 2 x 4-40 INSERTS, 0.38µm GOLD, RIGHT ANGLE | 1-1634587-2 |
| | DESCRIPTION | PART NO. |

| | | | | |
|--|--|-------------------------------|--|-----------------|
| THIS DRAWING IS A CONTROLLED DOCUMENT. | | DWN J.SANDWELL 15SEP2003 | TE Connectivity | |
| DIMENSIONS: mm | | CHK S.EBBUTT 15SEP2003 | | |
| TOLERANCES UNLESS OTHERWISE SPECIFIED: | | APVD F.WHEELER-KING 15SEP2003 | NAME 37 WAY D-SUB SOCKET WITH BOARD LOCK | |
| 0 PLC ± - | | PRODUCT SPEC | - | |
| 1 PLC ± - | | APPLICATION SPEC | - | |
| 2 PLC ± - | | WEIGHT SEE NOTE | SIZE A3 | CAGE CODE 00779 |
| 3 PLC ± - | | CUSTOMER DRAWING | DRAWING NO C-1634587 | RESTRICTED TO - |
| 4 PLC ± - | | | SCALE NTS | SHEET 1 OF 2 |
| ANGLES ± - | | | | |
| FINISH - | | | | |
| MATERIAL - | | | | |

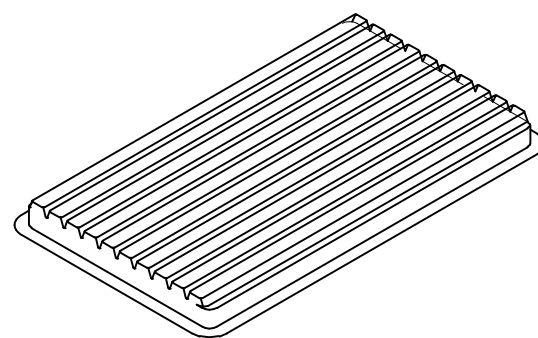
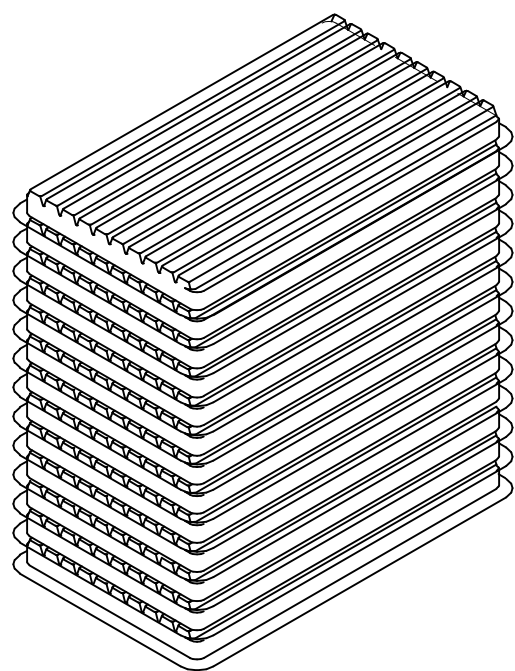
THIS DRAWING IS UNPUBLISHED.

RELEASED FOR PUBLICATION OCT , 2003.

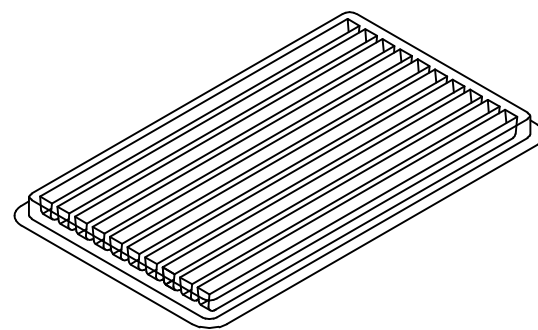
© COPYRIGHT 2003 By -

ALL RIGHTS RESERVED.

| LOC | DIST | REVISIONS | | | |
|-----|------|-------------|------|-----|------|
| P | LTR | DESCRIPTION | DATE | DWN | APVD |
| | - | SEE SHEET 1 | - | - | - |



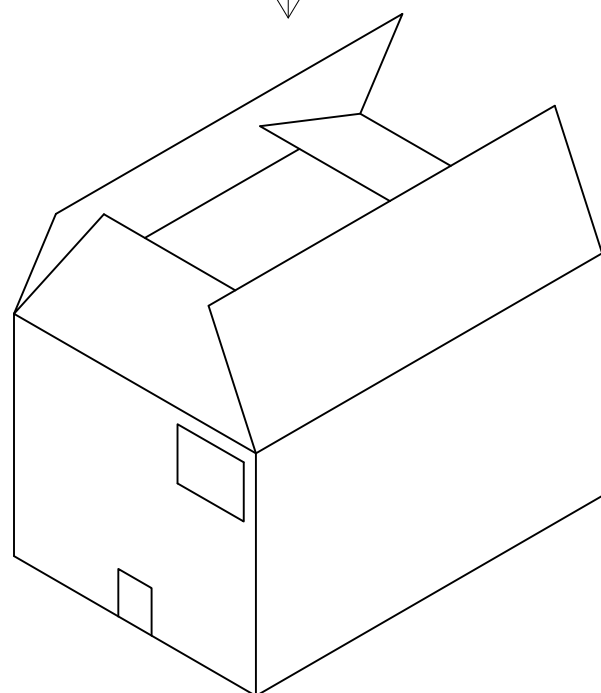
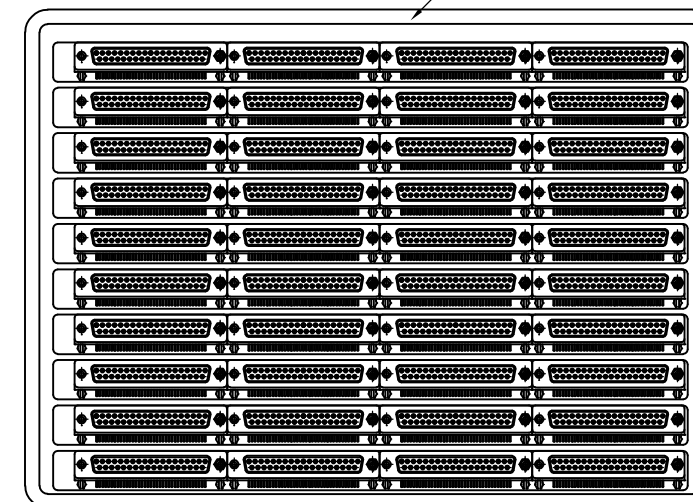
COVER




TRAY

- 1 DIMENSION:
TRAY:L=310,W=220,H=23
SHIPPING BOX:L=335,W=230,H=320
- 2 QUANTITY:
40 PCS/TRAY
13 TRAY/SHIPPING BOX

Tray Layout



| | | | | | | | |
|---|--|-------------------------------------|---|-----------------|--------------------|-------------------------|--------------------|
| THIS DRAWING IS A CONTROLLED DOCUMENT. | | DWN J.SANDWELL 15SEP2003 |  TE Connectivity | | | | |
| DIMENSIONS: mm | | CHK S.EBBUTT 15SEP2003 | | | | | |
| TOLERANCES UNLESS OTHERWISE SPECIFIED: | | APVD F.WHEELER-KING 15SEP2003 | NAME 37 WAY D-SUB SOCKET WITH BOARD LOCK | | | | |
| 0 PLC ± - 1 PLC ± - 2 PLC ± - 3 PLC ± - 4 PLC ± - ANGLES ± - | | PRODUCT SPEC - | APPLICATION SPEC - | | | | |
| MATERIAL - | | FINISH - | WEIGHT SEE NOTE | SIZE A3 | CAGE CODE 00779 | DRAWING NO C-1634587 | RESTRICTED TO - |
| CUSTOMER DRAWING | | | SCALE NTS | SHEET 2 OF 2 | REV C | | |