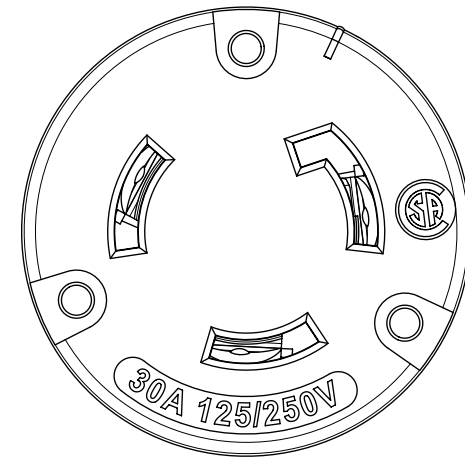
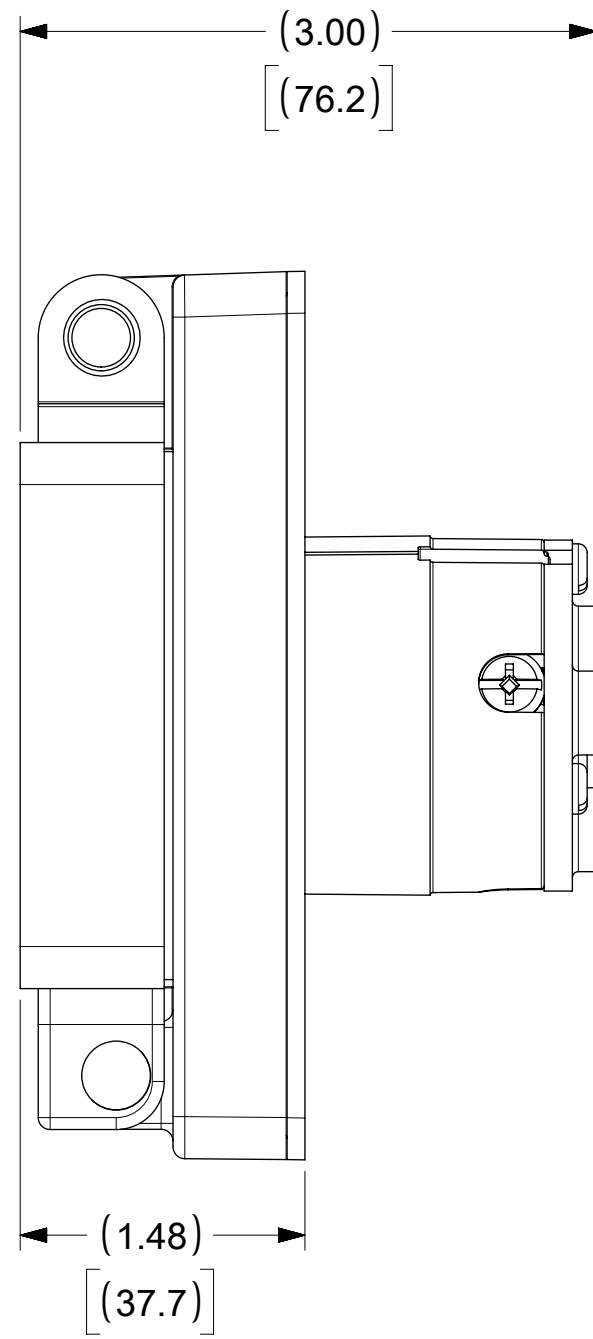
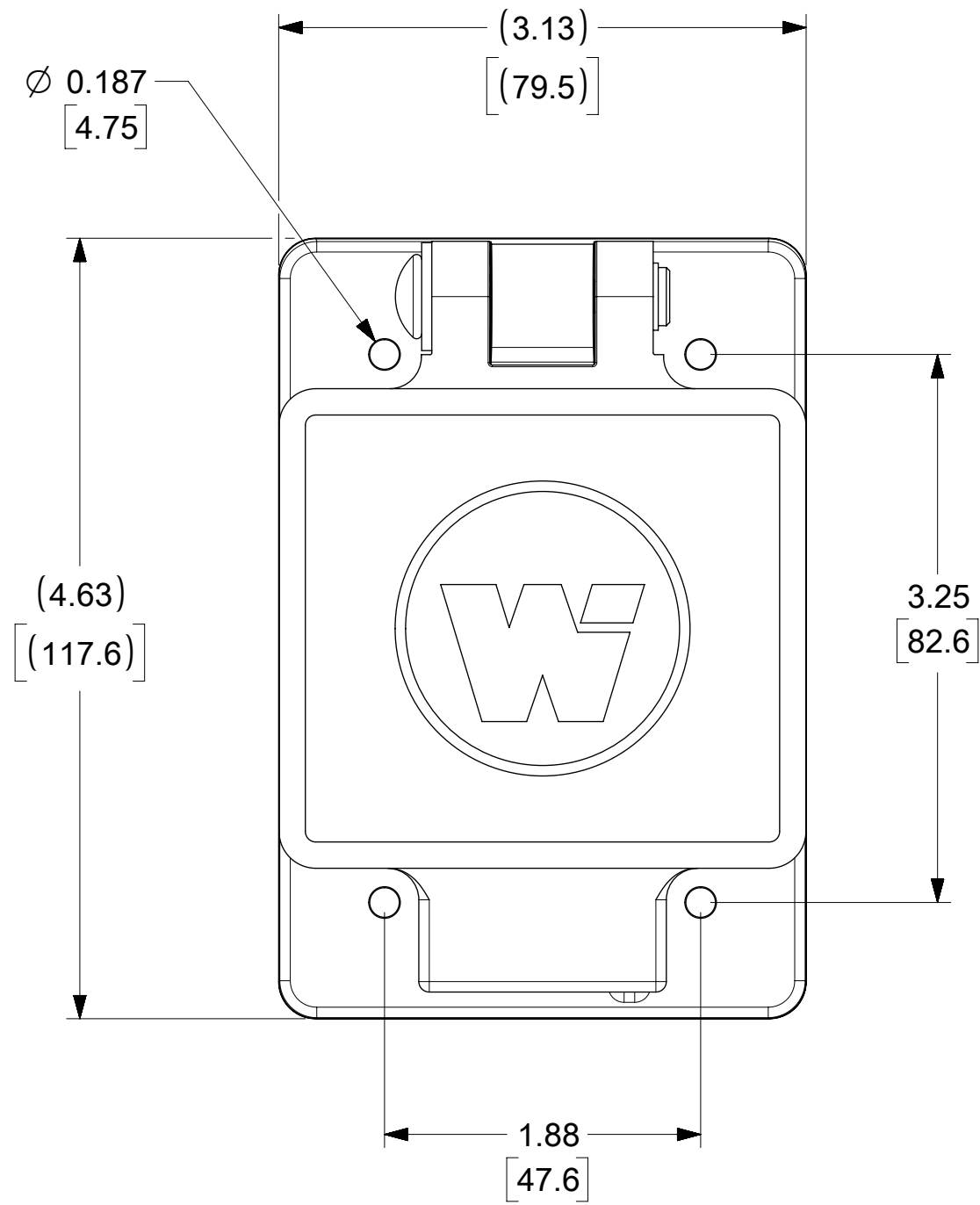
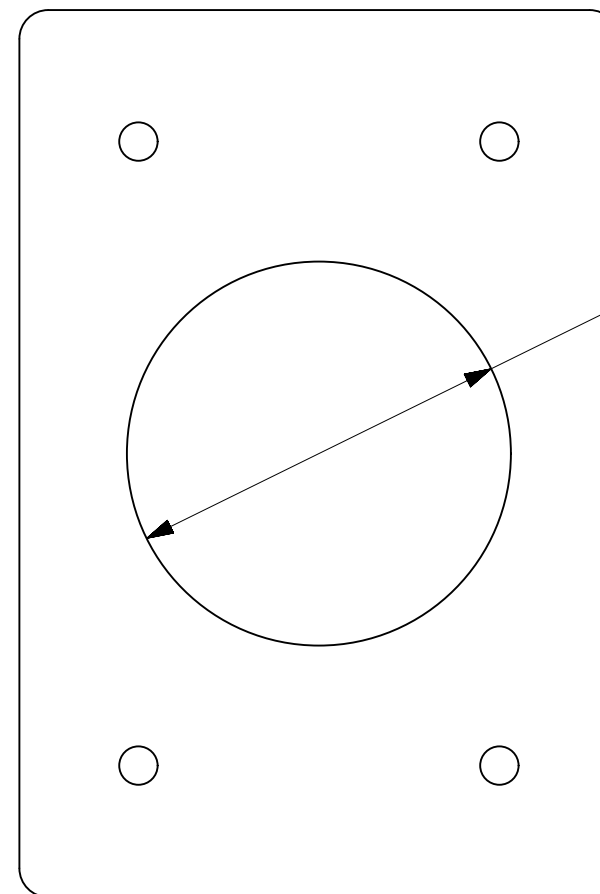
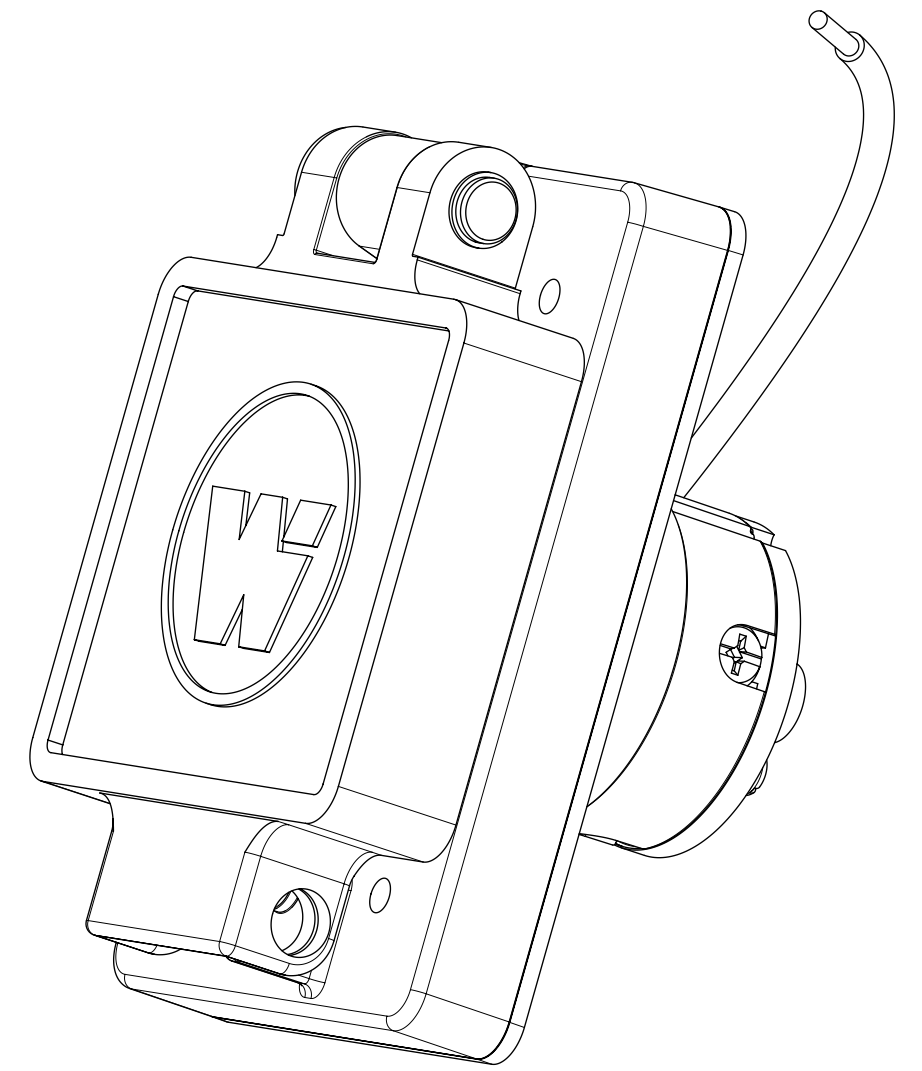


ORDER NO.	WOODHEAD NO.	COLOR
130147-0166	69W08	YELLOW



FACE VIEW



CLEARANCE HOLE (FOR PANEL MOUNT)

DESCRPITION	MATERIAL	QTY.
BLADES	BRASS, NICKEL PLATED	3
RETAINING SCREWS	STAINLESS STEEL	3
CLAMP AND TERMINAL SCREW ASSY.	BRASS, ZINC PLATED	3
FEMALE INSERT	NYLON	1
TERMINAL COVER	POLYCARBONATE	1
COVER ASSEMBLY	POLYCARBONATE, STAINLESS STEEL, ALUMINUM	1
GASKET FLIP	NEOPRENE	1
SUPPORT PLATE	STAINLESS STEEL	1
SCREW (GROUND WIRE)	STAINLESS STEEL	1
JUMPER WIRE ASSY	COPPER, BRASS (TINNED FINISH)	1

THIS DRAWING CONTAINS INFORMATION THAT IS PROPRIETARY TO MOLEX ELECTRONIC TECHNOLOGIES, LLC AND SHOULD NOT BE USED WITHOUT WRITTEN PERMISSION									
SYMBOLS		DIMENSION UNITS		SCALE		CURRENT REV DESC: MIGRATE TO ECTR/NX			
▽ = 0	INCH	[MM]	NTS			molex WATERTITE TURNEX RECEPTACLE 3P3W NON-NEMA			
▽ = 0	GENERAL TOLERANCES (UNLESS SPECIFIED)				EC NO: 613925 DRWN: SRPATIL 2018/12/21 CHK'D: DNGUYEN62 2019/03/19 APPR: HKNEELAND 2019/04/02				
▽ = 0	4 PLACES	±	±	MM	INCH	PRODUCT CUSTOMER DRAWING			
▽ = 0	3 PLACES	±	±			DOCUMENT NUMBER			
▽ = 0	2 PLACES	±	±			1301470166			
▽ = 0	1 PLACE	±	±			DOC TYPE DOC PART REVISION			
▽ = 0	0 PLACES	±	±			PSD 000 A			
⊠ = 0	ANGULAR TOL		± °			MATERIAL NUMBER CUSTOMER SHEET NUMBER			
■ = 0	DRAFT WHERE APPLICABLE MUST REMAIN WITHIN DIMENSIONS				THIRD ANGLE PROJECTION	DRAWING	SERIES	SEE TABLE GENERAL MARKET 1 OF 1	
▽ = 0					⊙	C-SIZE	130147		