

C&K W Series 4 & 6 Tumbler Switchlocks



Features/Benefits

- International listings
- Quick connect termination
- Wire leads and harnesses available

Typical Applications

- Business machines
- Point-of-sale terminals
- Computers



Specifications

CONTACT RATING: 4 AMPS @ 125 V AC; 2 AMPS @ 250 V AC (UL/CSA). 2 AMPS @ 125 V AC; 1 AMP @ 250 V AC T65 (VDE).
ELECTRICAL LIFE: 10,000 make-and-break cycles at full load.
CONTACT RESISTANCE: Below 10 m Ω typ. initial @ 2-4 V DC, 100 mA, for both silver and gold plated contacts.
INSULATION RESISTANCE: 10⁹ Ω min.
DIELECTRIC STRENGTH: 1,000 Vrms min. @sea level.
INDEXING: 45°, 2-4 positions. 90°, 2 positions.

Materials

LOCK: Zinc alloy with with stainless steel facing (4 tumbler single bitted lock and 6 tumbler tubular lock).
KEYS: Two nickel plated brass keys with code number (4 tumbler lock). Two die cast chrome plated zinc alloy keys (6 tumbler lock).
SWITCH HOUSING: Glass filled 6/6 nylon (UL 94V-0).
CONTACTS & TERMINALS: Copper, silver plated.
MOUNTING NUT: Zinc alloy or steel, nickel plated or bright zinc plated.
MOUNTING CLIP: Steel, nickel or bright zinc plated.
LOCKING RING: 6/6 nylon (UL 94V-2).

NOTE: Specifications and materials listed above are for switchlocks with standard options. For information on specific and custom switchlocks, consult Customer Service Center.

Build-A-Switch

To order, simply select desired option from each category and place in the appropriate box. Available options are shown and described on pages L-45 thru L-47. For additional options not shown in catalog, consult Customer Service Center.

Switch and Lock Function

- W20113** (STD.) DP, 90° Index, keypull pos. 1
- W20013** DP, 45° Index, keypull pos. 1
- W10113** SP, 90° Index, keypull pos. 1
- W1011C** SP, 90° Index, keypull pos. 2
- W1011U** SP, 90° Index, keypull pos. 1 & 2

Keying

- 2** (STD.) Two nickel plated brass keys (4 tumbler) or two die cast zinc alloy keys with chrome plating (6 tumbler)
- T** One nickel plated brass key with plastic insert molded square head and one nickel plated brass key

Lock Type

- C** (STD.) 4 Tumbler lock with detent
- V** (STD.) 6 Tumbler tubular lock with snap-on switch

Lock Finish

- 2** (STD.) Stainless steel facing (STD. with 6 tumbler lock) Stainless steel facing
- 8** Gloss black facing

Terminations

- 05** (STD.) Quick connect
- WC** Wire lead

Mounting/Lock Style

- A** (STD.) With nut

Contact Material

- Q** (STD.) Silver

Key Color

- NONE** (STD.) Nickel plated brass (4 tumbler) or chrome plated zinc alloy (6 tumbler)
- 2** Black



Switchlock

C&K W Series 4 & 6 Tumbler Switchlocks

SWITCH AND LOCK FUNCTION

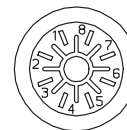
NO. TUMBLERS	NO. POLES	MODEL NO.	CONNECTED TERMINALS				KEY PULL POSITIONS	LOCK CONFIGURATION	INDEXING
			POS. 1	POS. 2	POS. 3	POS. 4			
4 & 6	SP DP	W10013 W20013	8-1 8-1, 4-5	1-2 1-2, 5-6	2-3 2-3, 6-7		Position 1		45°
4 & 6	SP DP	W10113 W20113	8-1 8-1, 4-5	2-3 2-3, 6-7			Position 1		
4	SP	W1011C	8-1	2-3			Position 2		90°
4 & 6	SP	W1011U	8-1	2-3			Positions 1 & 2		

All models with all options, see page L-47.

LEGEND

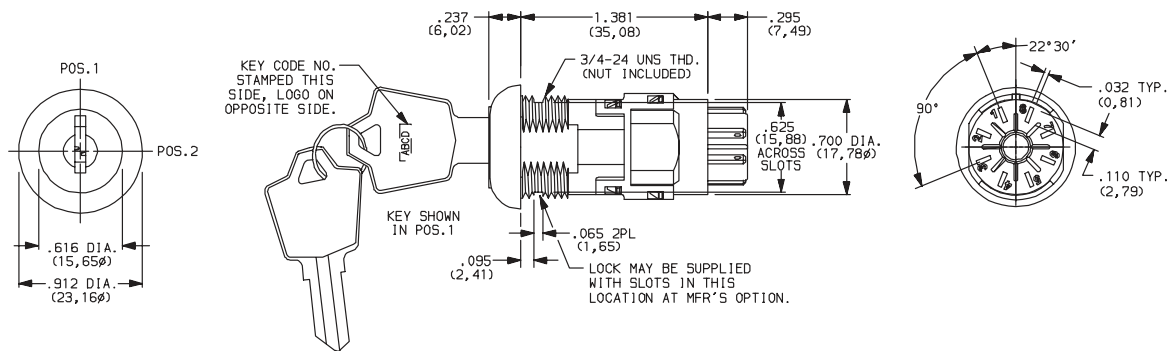
- = Detent Positions (45° or 90°)
- ⊙ = Key pull possible in these positions.
- ⦿ = Stop Positions

TERMINAL NUMBERS



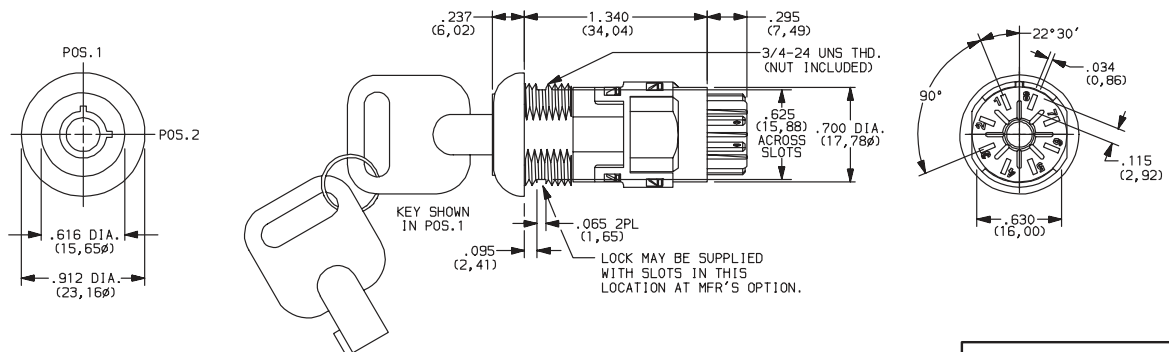
Terminal numbers molded on housing.

4 Tumbler

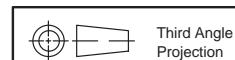


Part number shown: W201132C205AQ

6 Tumbler



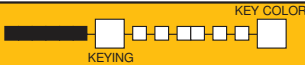
Part number shown: W201132V205AQ



Dimensions are shown: IN (mm)
Dimensions subject to change

C&K W Series 4 & 6 Tumbler Switchlocks

KEYING

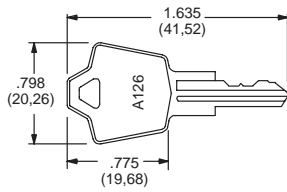


OPTION CODE	KEY OPTIONS	CODE NO. ON KEY	CODE NO. ON LOCK
2	(STD.) 2 NICKEL PLATED BRASS KEYS (4 TUMBLER) OR 2 DIE CAST CHROME PLATED ZINC ALLOY KEYS (6 TUMBLER)	YES	NO
T	1 NICKEL PLATED BRASS KEY WITH PLASTIC INSERT MOLDED SQUARE HEAD & 1 NICKEL PLATED BRASS KEY	YES	NO

OPTION CODE	KEY COLOR
NONE	(STD.) NICKEL PLATED BRASS (4 TUMBLER) OR CHROME PLATED ZINC ALLOY (6 TUMBLER)
2	BLACK

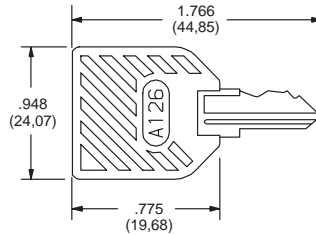
NOTE: All orders keyed alike, standard. For more than one key code, replacement keys, or other special features, consult Customer Service Center.

NICKEL PLATED BRASS KEY



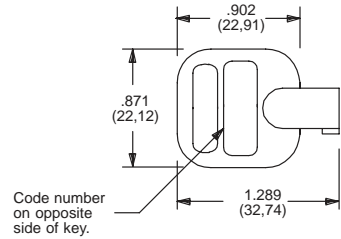
Key part number: 115140126

NICKEL PLATED BRASS KEY WITH PLASTIC INSERT MOLDED SQUARE HEAD



Key part number: 11599112602

CHROME PLATED ZINC ALLOY KEY

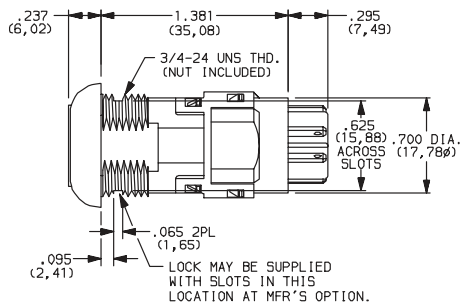


Key part number: 363C1AAAA

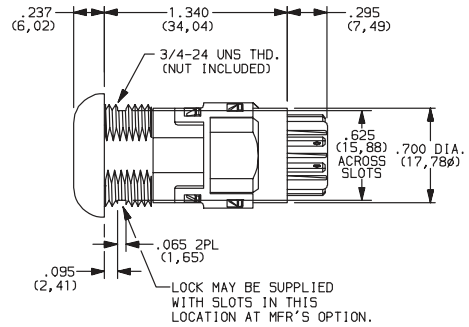
LOCK TYPE



C (STD.) 4 TUMBLER LOCK WITH ADDED DETENT



V (STD.) 6 TUMBLER TUBULAR LOCK



LOCK FINISH



2 (STD.) STAINLESS STEEL FACING



Available with V lock type only.

8 GLOSS BLACK FACING

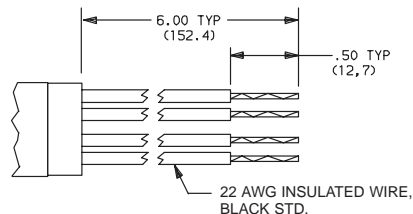
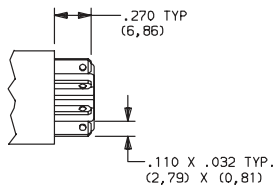


C&K W Series 4 & 6 Tumbler Switchlocks

TERMINATIONS

05 (STD.) QUICK CONNECT

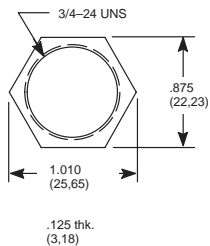
WC WIRE LEAD



NOTE: Other colors and lengths available, consult Customer Service Center. UL style 1015.

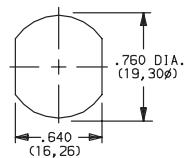
MOUNTING/LOCK STYLE

A (STD.) WITH NUT



Nut part number: 175050700

PANEL MOUNTING



OPTION CODE	MOUNTING STYLE	PANEL THICKNESS
A	(STD.) WITH NUT	.195 (4,95) max.

Switch and Lock Assembly Instructions

1. Place lock assembly in mounting hole on panel, secure with mounting nut.
2. Align keying tab on switch assembly with keying slot on lock assembly.
3. Snap assemblies together.
4. Switch installation is permanent. Switch cannot be removed from lock after assembly. Attempting to separate switch and lock may cause damage to switchlock.



L

Switchlock

CONTACT MATERIAL

OPTION CODE	CONTACT AND TERMINAL MATERIAL	RATINGS	
Q (STD.)	SILVER ¹	POWER	4 AMPS @ 125 V AC; 2 AMPS @ 250 V AC (UL/CSA). 2 AMPS @ 125 V AC; 1 AMP @ 250 V AC, T65 (VDE).

CONTACT MATERIAL/APPLICATION RECOMMENDATIONS—SEE SECTION N.

¹ CONTACTS & TERMINALS: Copper, silver plated (standard with all termination options).

All models with all options.

C&K W Series 4 & 6 Tumbler Switchlocks

AVAILABLE HARDWARE



Key Code: A126
PART NO. (ONE KEY)
115140126
Material: Brass
Finish: Nickel plate



Key Code: A126
PART NO. (ONE KEY)
1159112602 BLACK
Material: Brass
Finish: Nickel plate
6/6 Nylon insert molded head



Key Code: AAAA
PART NO. (ONE KEY)
363C1AAAA
Material: Zinc Alloy
Finish: Chrome plate

NOTE: Additional nuts available separately, see section N.
Other key colors available, consult Customer Service Center.



Switchlock