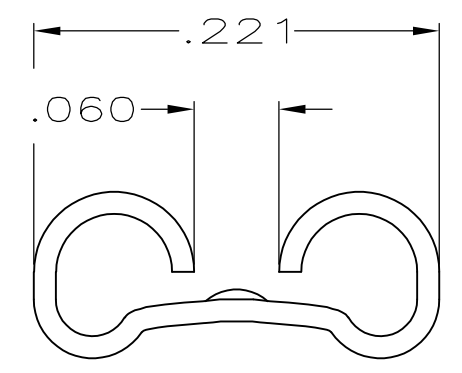
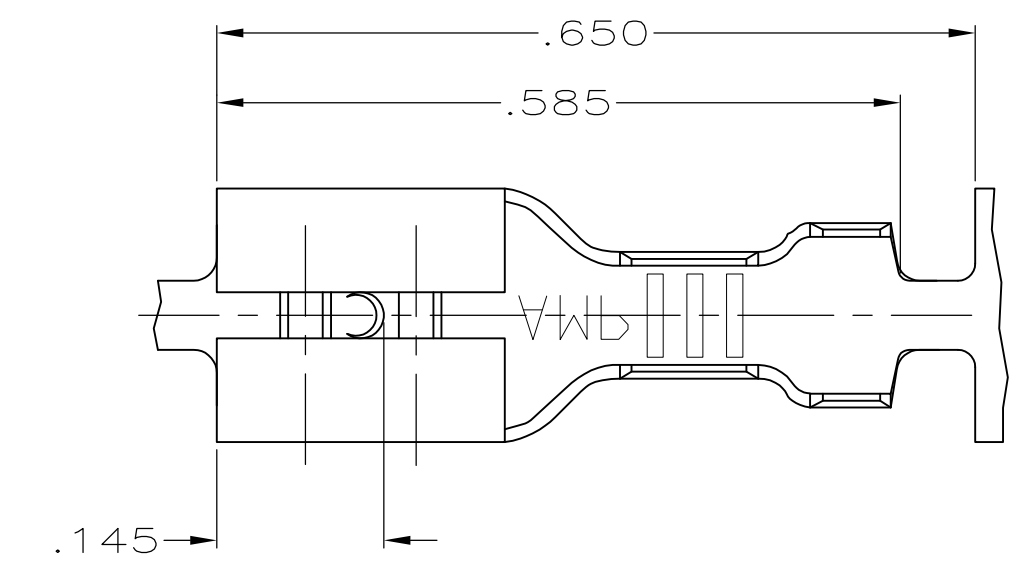


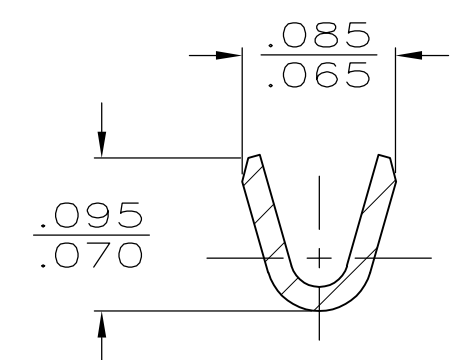
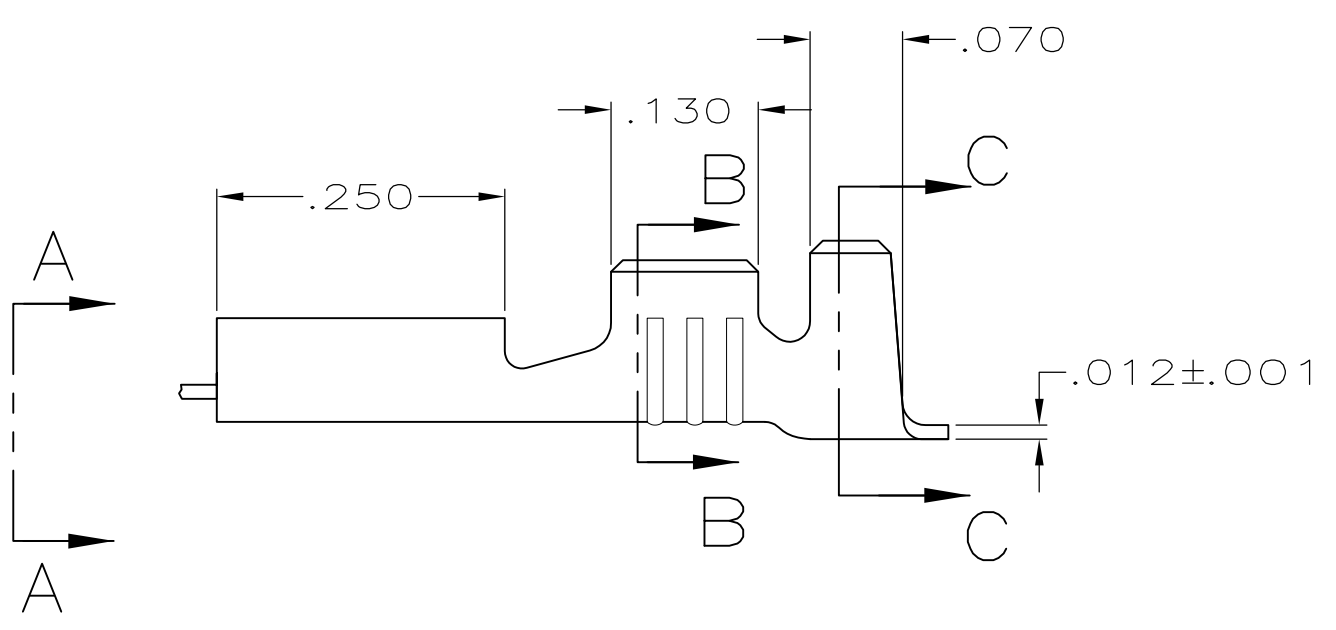
THIS DRAWING IS UNPUBLISHED. RELEASED FOR PUBLICATION  
 © COPYRIGHT - By - ALL RIGHTS RESERVED.

LOC	DIST	REVISIONS			
P	LTR	DESCRIPTION	DATE	DWN	APVD
AF	50				
	E	REVISED PER ECR-12-013459	27NOV2012	KH	PD

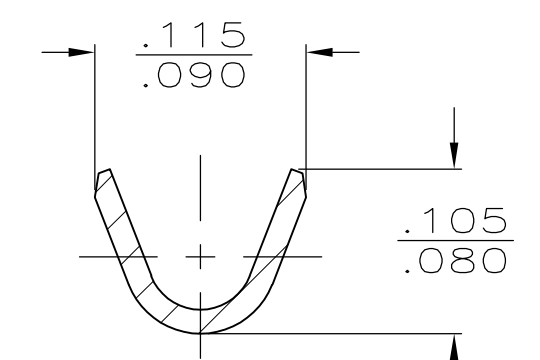


VIEW A-A  
SCALE 10:1

- 1 CONTINUOUS STRIP ON REELS.
- 2 WIRE SIZE #24-#20 AWG
- 3 INSULATION RANGE IS .040-.070 DIA
- 4 MATING TAB THK IS .032±.001
- 5 REELED WITH INTERLEAVING PAPER
- 6 PRELIMINARY - NOT FOR PRODUCTION



SECTION B-B  
SCALE 10:1



SECTION C-C  
SCALE 10:1

6	5	62181-2
		62181-1
PART NO.		

THIS DRAWING IS A CONTROLLED DOCUMENT.		DWN JR RUTH 2/26/90	TE Connectivity																
DIMENSIONS: INCHES		CHK MS FEHER 2/26/90																	
TOLERANCES UNLESS OTHERWISE SPECIFIED:		APVD R KUZO 2/26/90	NAME RECEPTACLE, FASTON, .187 SERIES																
<table border="1"> <tr><td>0 PLC</td><td>± -</td></tr> <tr><td>1 PLC</td><td>± -</td></tr> <tr><td>2 PLC</td><td>± -</td></tr> <tr><td>3 PLC</td><td>± .015</td></tr> <tr><td>4 PLC</td><td>± -</td></tr> <tr><td>ANGLES</td><td>± -</td></tr> </table>		0 PLC	± -	1 PLC	± -	2 PLC	± -	3 PLC	± .015	4 PLC	± -	ANGLES	± -	PRODUCT SPEC -	APPLICATION SPEC -	SIZE A3	CAGE CODE 00779	DRAWING NO C-62181	RESTRICTED TO -
0 PLC	± -																		
1 PLC	± -																		
2 PLC	± -																		
3 PLC	± .015																		
4 PLC	± -																		
ANGLES	± -																		
MATERIAL BRASS		FINISH TIN	WEIGHT -	CUSTOMER DRAWING		SCALE 6:1	SHEET 1 OF 1	REV E											