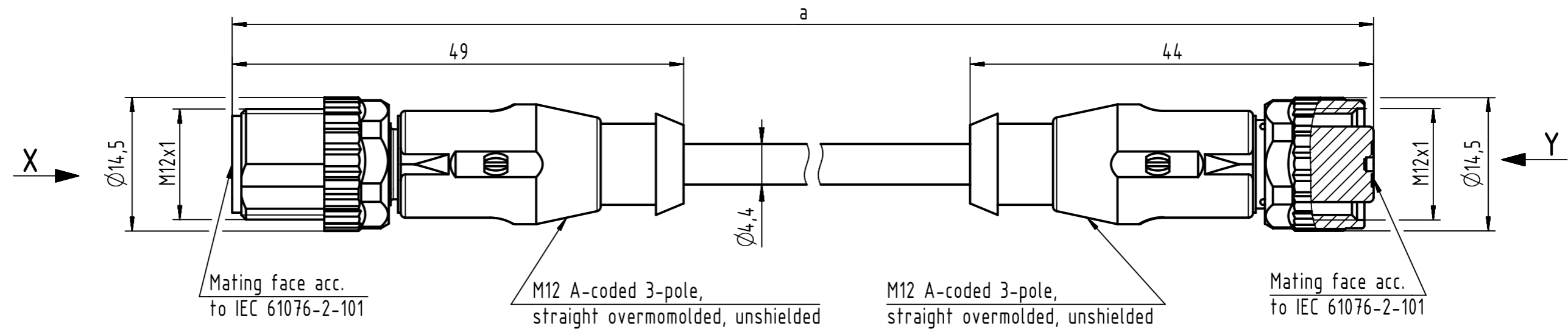


Connector Location A

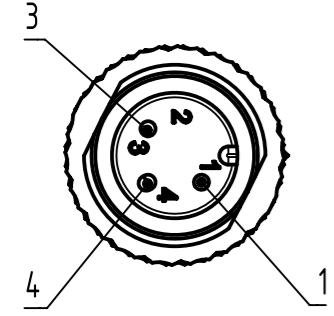
Connector Location B



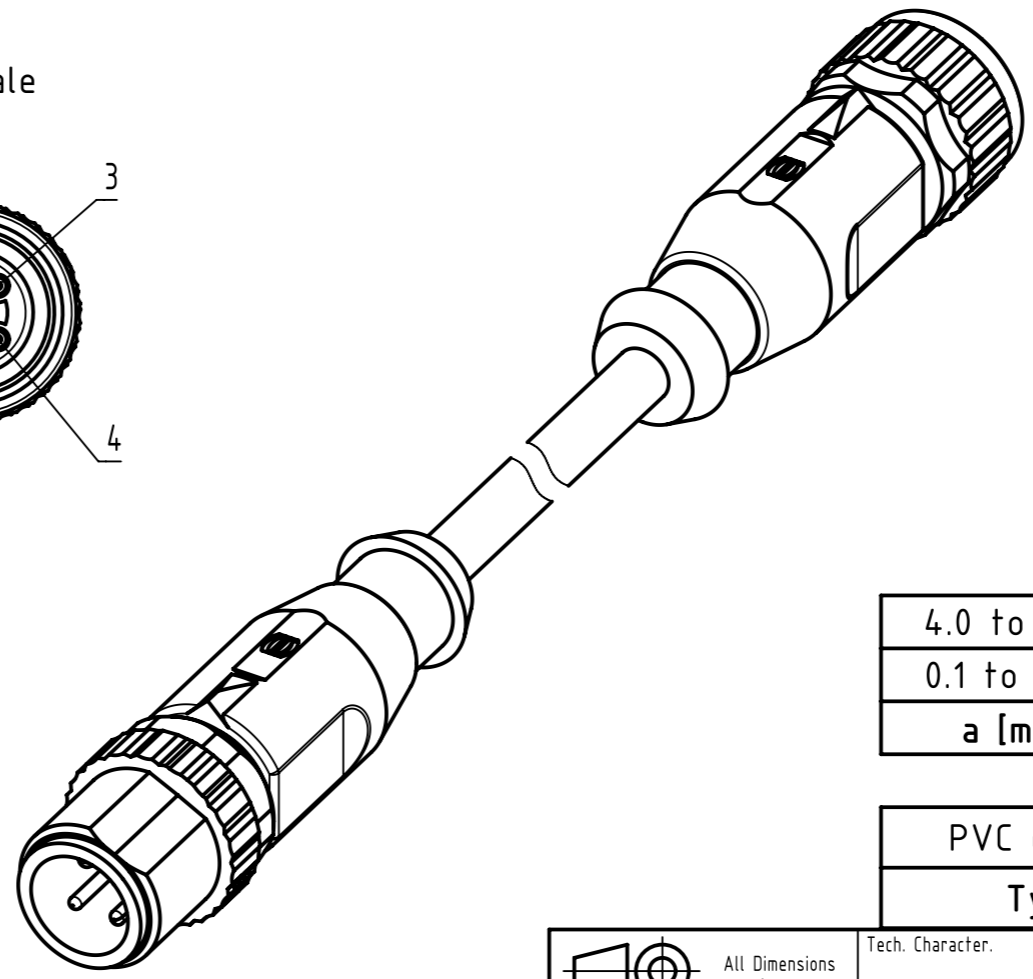
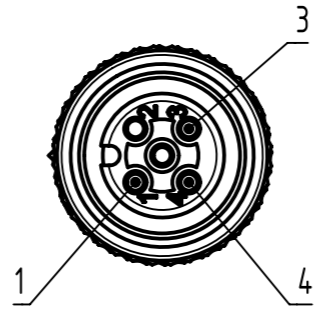
X
male

Y
female

Loading-Plan



- 1 — brown — 1
- 3 — blue — 3
- 4 — black — 4



- Protection level: IP67
- Temperature range: -25°C ... +80°C

4.0 to 40	±1%
0.1 to 3.9	+0.04
a [m]	Tolerance

length in "1m" step	40	XXX=400
	39	XXX=390
	.	.
	12	XXX=120
length in "0.1m" step	11	XXX=110
	10	XXX=100
	9.9	XXX=099
	9.8	XXX=098
	.	.
	0.4	XXX=004
0.3	XXX=003	
0.2	XXX=002	
0.1	XXX=001	
Step	a [m]	XXX

PVC grey, 3x0.34mm ²	21348485383XXX
Type of cable	Part no.

All rights reserved Department HCS - RO HARTING Customised Solutions D-32339 Espelkamp		Tech. Character. Created by STOCHECIC Stocheci Title M12 Cable Assembly A-cod st/st m/f Type TB	Free size tol. Inspected by COSTEA Costea Standardisation MUNTEANV Muntean Number 21348485383XXX	According to production drawing Date 2018-12-14 State Final Release Doc-Key / ECM-Nr. 100578704/UGD/009/C 500000144865 Rev. C Page 1/1
---	--	--	---	--