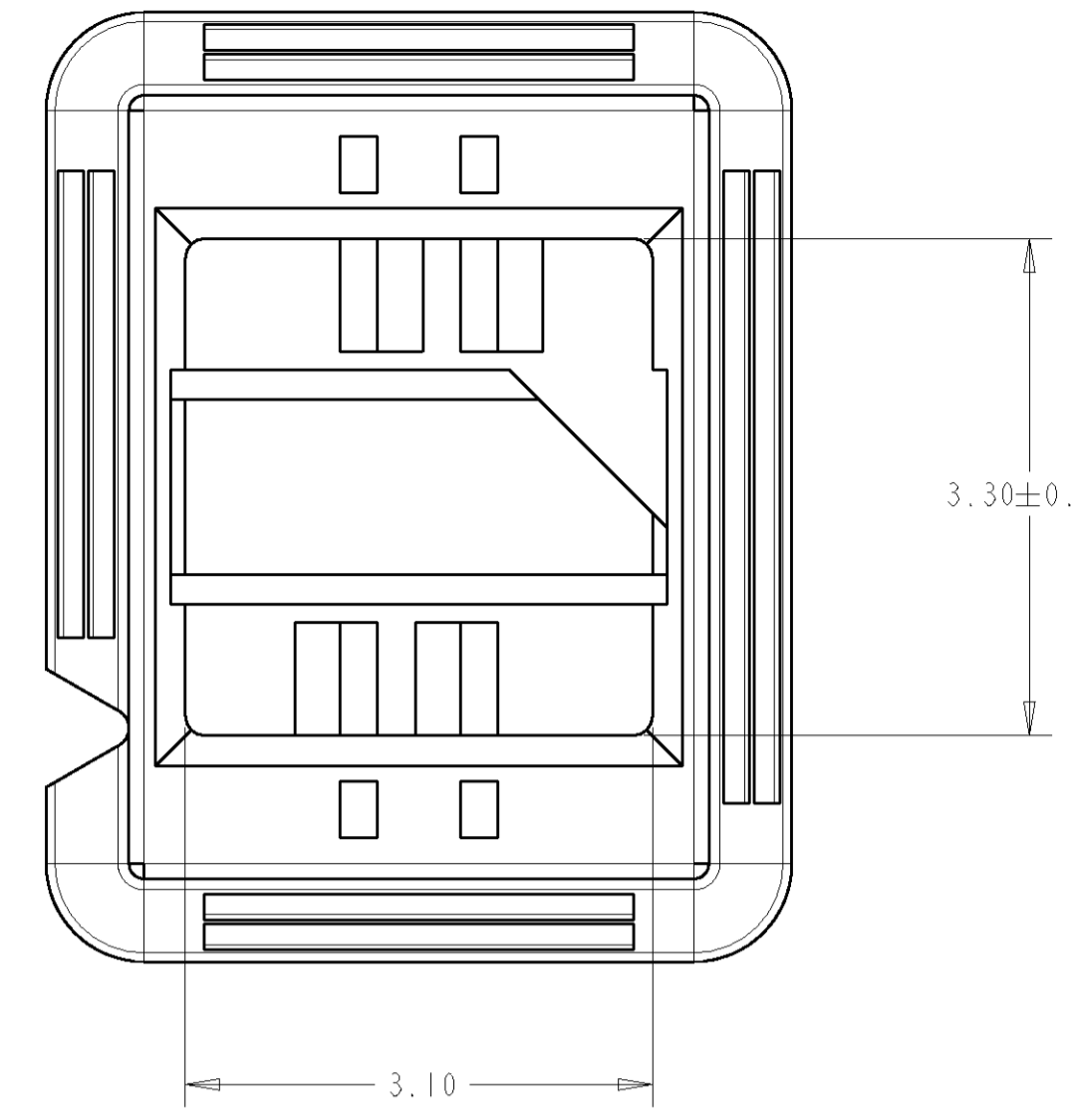
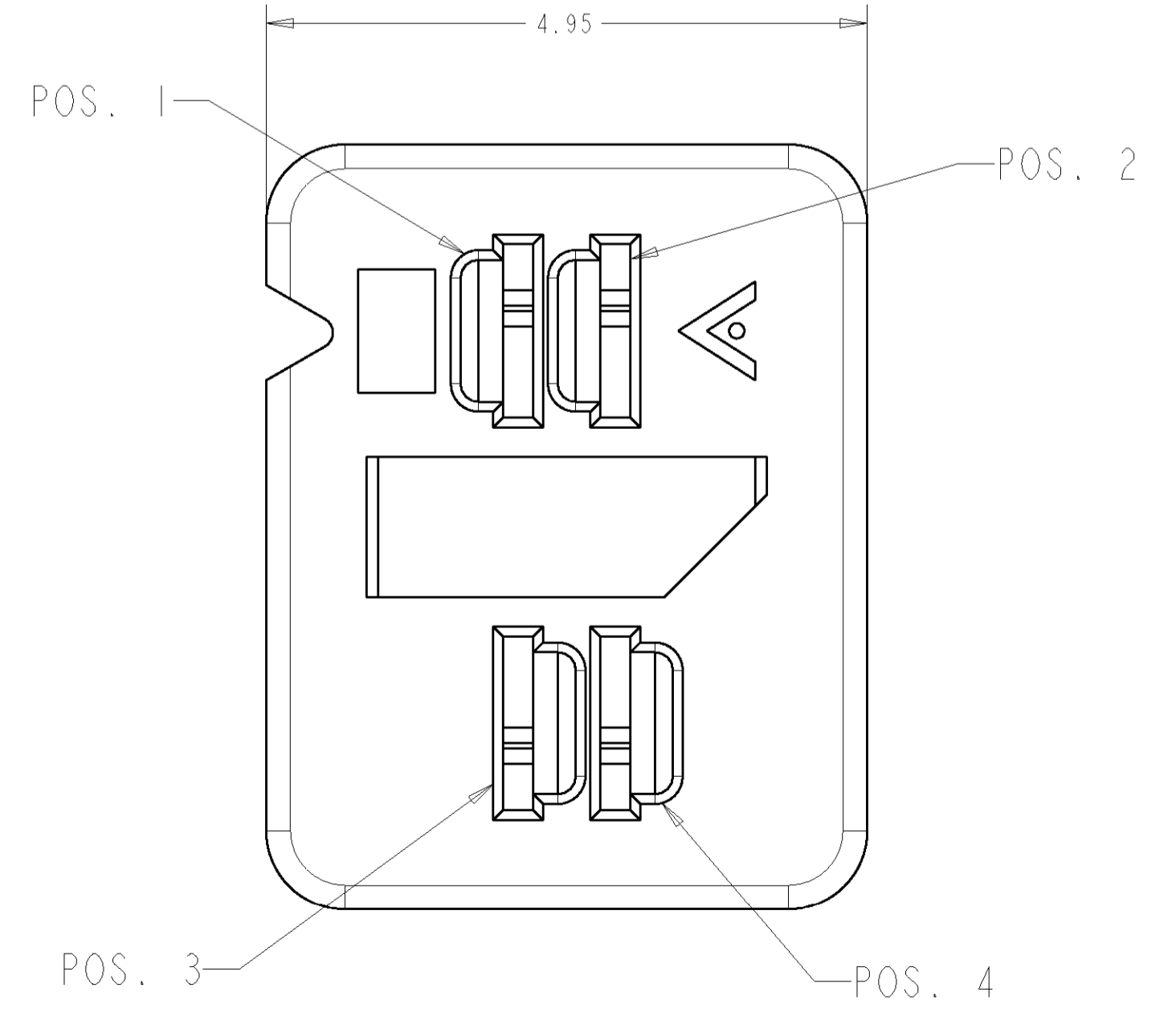
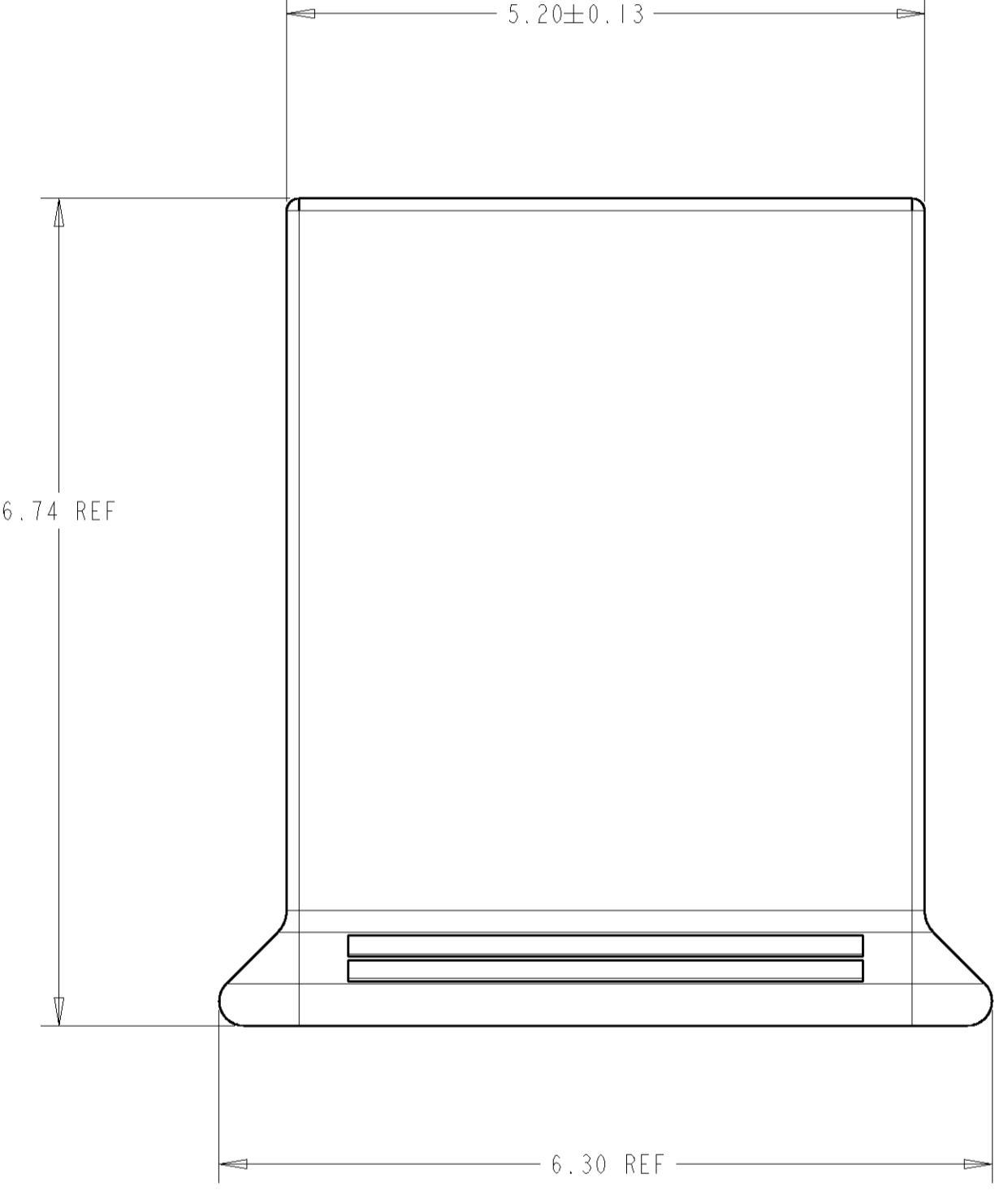
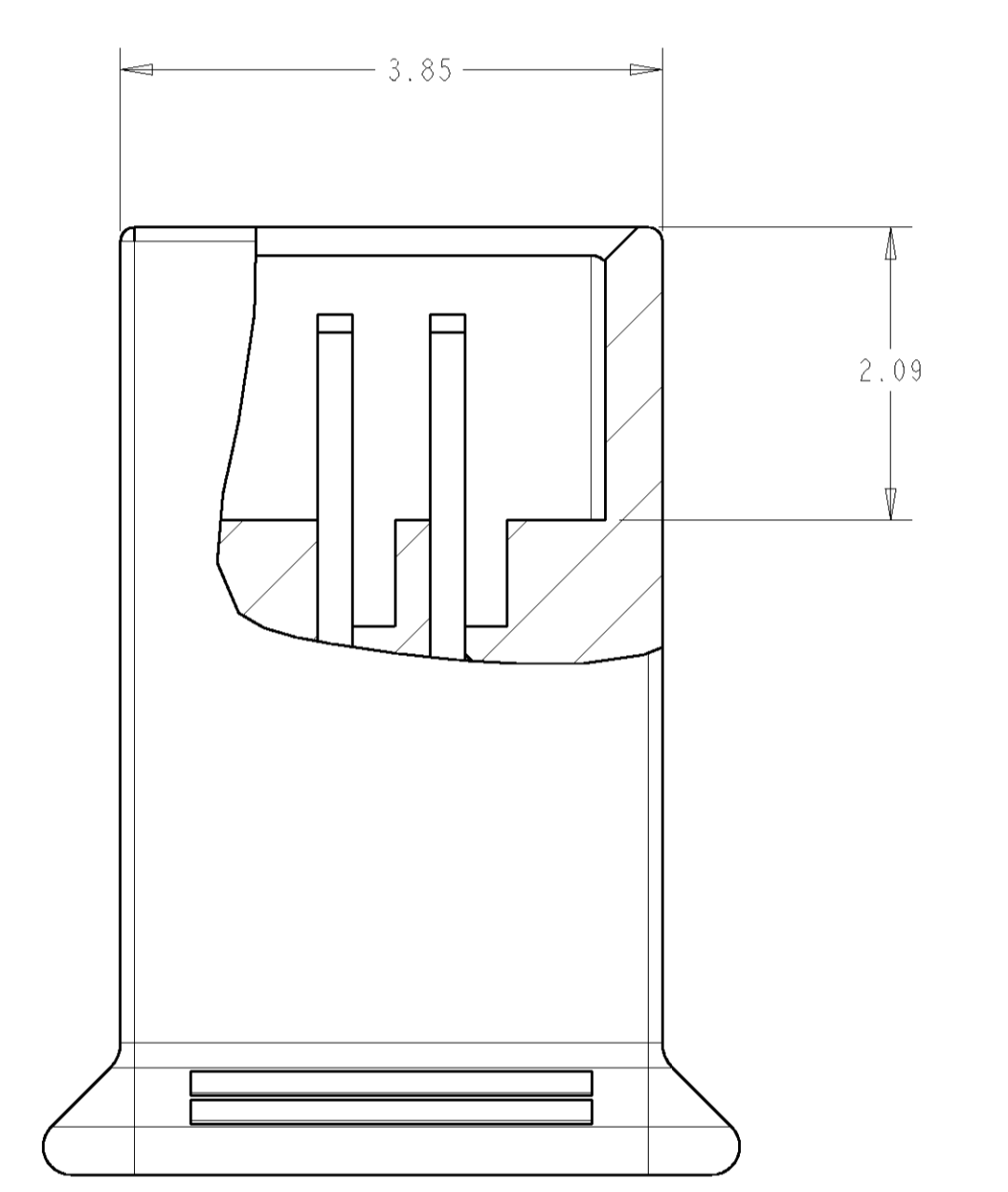


LOC	DIST	REVISIONS			
P	LTR	DESCRIPTION	DATE	DWN	APVD
O		REV PER OG3C-0326-01	17DEC01	RB	JM
A		REV PER OG3C-0367-03	27OCT03	RB	JM



1445340-1 1. AS SHOWN  
 2. UL 94 V-0 RATED LCP, COLOR: NATURAL.



<small>THE INFORMATION CONTAINED HEREIN IS UNCLASSIFIED EXCEPT WHERE SHOWN OTHERWISE. IT IS THE POLICY OF THE UNITED STATES GOVERNMENT TO MAKE SUCH INFORMATION AVAILABLE TO THE PUBLIC AT LARGE.</small>		DWN: D. FABIAN DATE: 26FEB2001	<b>Tyco</b> <b>Electronics</b>	Tyco Electronics Harrisburg, PA 17105-3608
DIMENSIONS: mm	TOLERANCES UNLESS OTHERWISE SPECIFIED: 0 PLC ± 1 PLC ±0.08 2 PLC ±0.013 3 PLC ± 4 PLC ± ANGLES ±1	NAME: PRODUCT SPEC: APPLICATION SPEC: 108-1955	NAME: AMPMODU MICRO INTERCONNECT PLUG HOUSING 4 POSITION	
MATERIAL: FINISH:	MATERIAL: FINISH:	WEIGHT: CUSTOMER DRAWING	SIZE: A CAGE CODE: 00779 DRAWING NO: 1445340	RESTRICTED TO: SCALE: 20:1 SHEET: 1 OF 1 REV: A