



Dynamic Loudspeaker

With gasket & waterproof

15 × 8 × 2.65mm

Revision

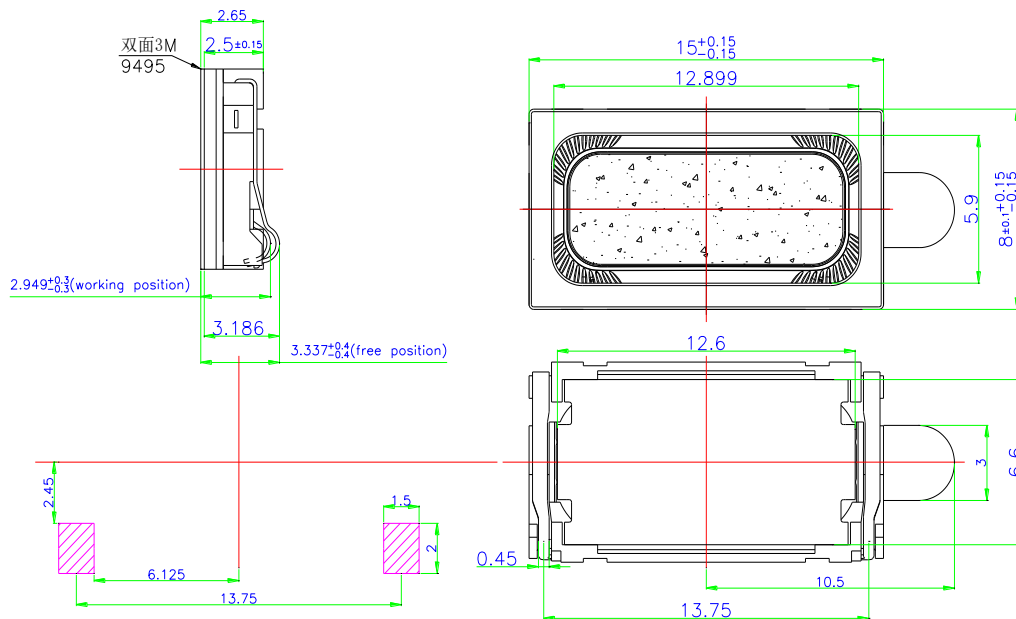
Date	Version	Status	Changes	Approver
2020/5/7	V0.1	Draft	First release	AX
2020/6/5	V0.2	Draft	Add layout size	AX

Specifications

Parameter	Conditions/Description	Values	Units
Rated Input Power	in 1.0cc closed box	0.7	W
Max Input Power	in 1.0cc closed box	1.0	W
Rated Impedance		6±15%	Ω
Sound Pressure Level (S.P.L.)	at 2.0KHz in 0.5W/0.1M average (0dB SPL=20μPa)(in 1.0cc box)	86±3	dB
Resonant Frequency (Fo)	in free air	700±20%	Hz
	in 1.0cc closed box	900±20%	Hz
Frequency Range	Output S.P.L. -10dB	Fo~20K	Hz
Distortion	at 1K Hz, input 0.5w/0.1m	< 10%	-
Magnet	NdFeB	11.6*4.7*1.2	mm
Buzz, Rattle, etc.	must be normal at sine wave between	1.0	V
	Fo ~ 5K Hz(Free air)		
	must be normal at sine wave between	2.05	V
Polarity	Fo ~ 5K Hz (in 1.0cc box)		
	cone will move forward with positive dc current to "+" terminal		
Weight			g
Operating Temperature		-20~+60	°C
Storage Temperature		-30~+70	°C
Waterproof Rating		IP67	

MECHANICAL DRAWING

Units: mm

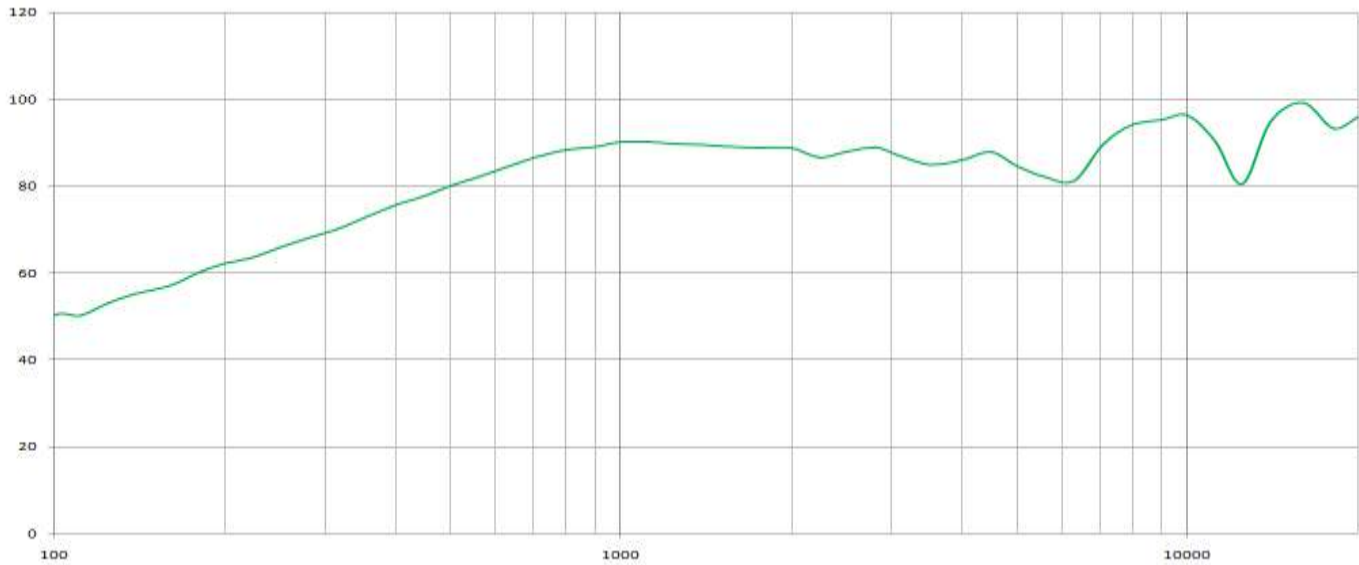
Tolerance: ± 0.2 mm

CONSTRUCTION DETAIL

9	垫圈 Gasket	3M9495	1	
8	弹片 SPRING TERMINAL	SUS	2	
7	前盖 FRONT CAP	PPA	1	
6	音圈 VOICE COIL	COPPER WIRE	1	
5	膜片 DIAPHRAGM	PEEK	1	
4	U 铁 U YOKE	SPCE	1	
3	极片 POLE PIECE	SPCC	1	
2	磁钢 MAGNET	Nd-Fe-B	3	
1	主架 FRAME	PPA	1	
编号 No.	零件名称 PART NAME	材料 MATERIAL	数量 Q'TY	备注 REMARK

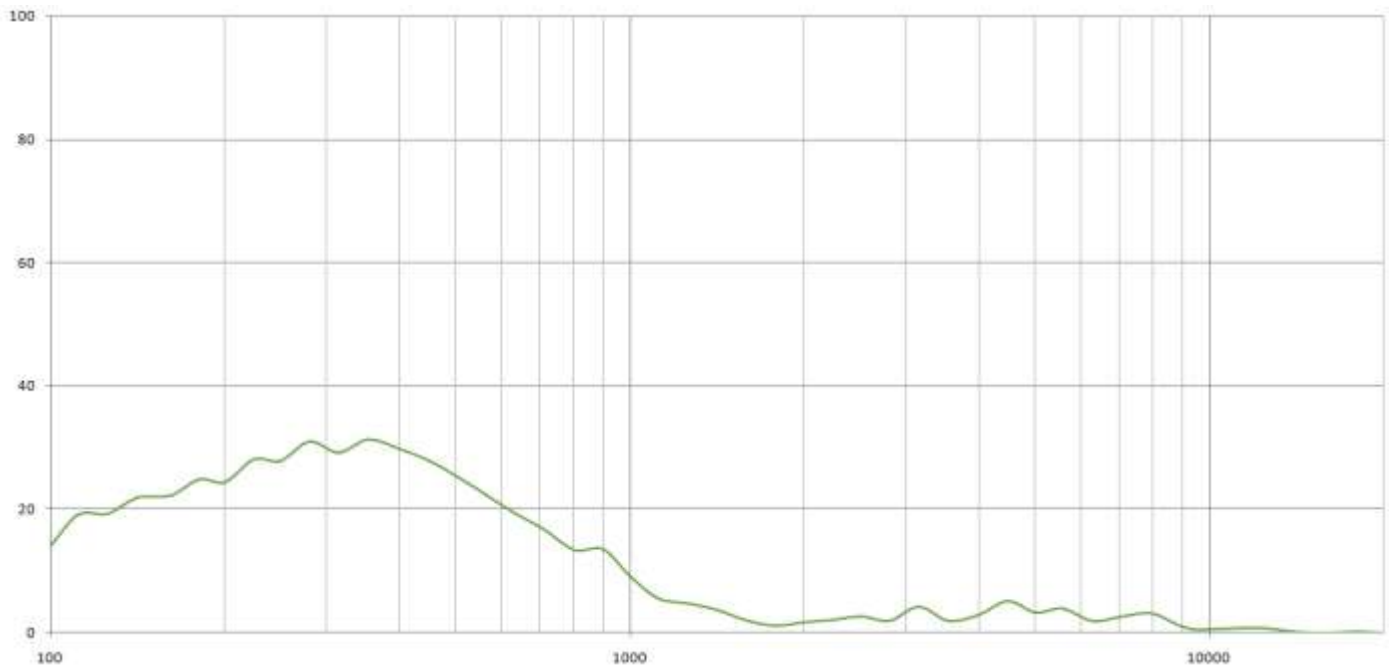
RESPONSE CURVES

Frequency Response Curve

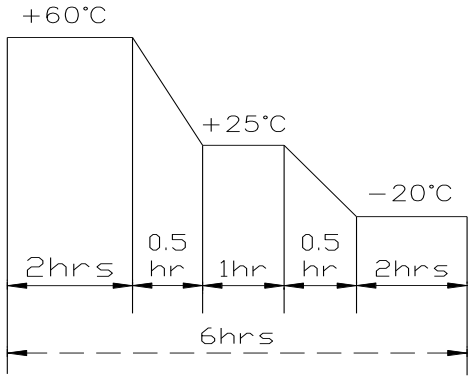


0.5w/0.1m in 1cc box

THD



RELIABILITY TEST

1	Reliability Test Performance	After any following test, parts should conform to original performance within ± 3 dB tested with Rated Power, after 6 hours of recovery period.
2	High Temperature Test	96 hours at $+60^{\circ}\text{C}\pm 3^{\circ}\text{C}$
3	Low Temperature Test	96 hours at $-20^{\circ}\text{C}\pm 3^{\circ}\text{C}$
4	Humidity Test	96 hours at $+40^{\circ}\text{C}\pm 3^{\circ}\text{C}$, 92-95% RH
5	Temp./Humidity Cycle	<p>The part shall be subjected 5 cycles. One cycle shall be 6 hours and consist of</p> 
6	Vibration Test	<p>Frequency: 10~55~10Hz Oct/min Amplitude: 1.5mm</p> <p>Duration: 2 hours each of 3 perpendicular directions</p>
7	Drop Test	Drop the speaker contained in normal box onto the surface of 40mm thick board 10 times from the height of 75cm
8	Operation Life Test	Must perform normal with program Pink-Noise source at Rated Power for 96 Hours
9	Termination Strength	Apply 3.0N(0.306kg) to each terminal in horizontal direction for 30 seconds; Apply 2.0N(0.204kg) to each terminal in vertical direction for 30 seconds;

MEASURING METHOD

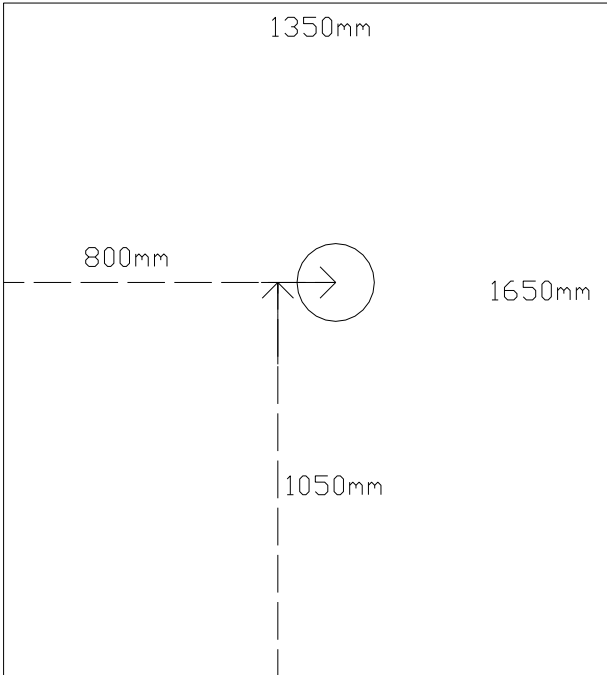
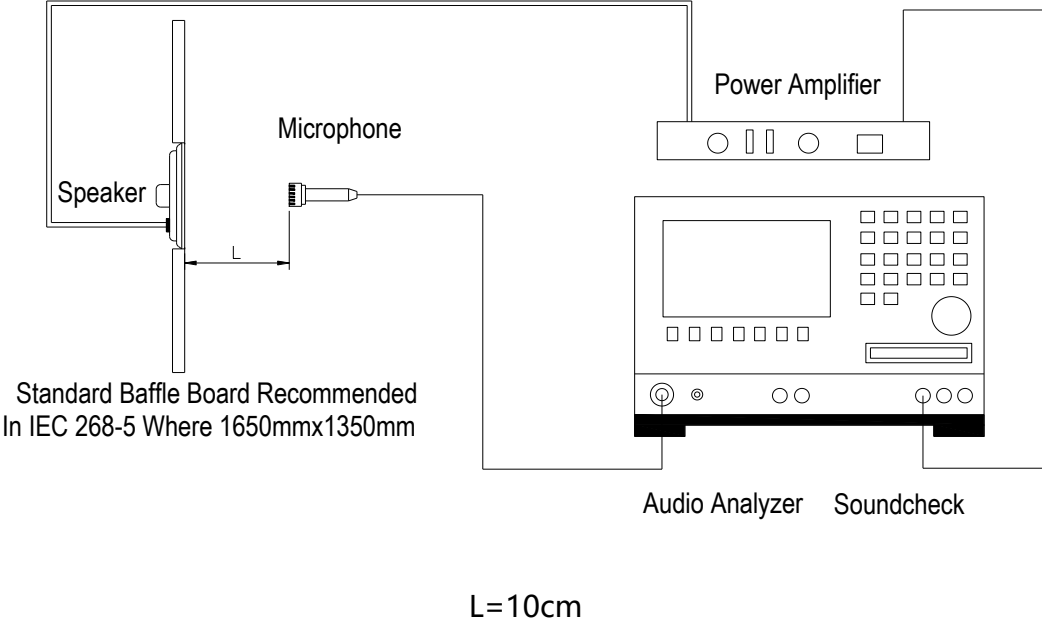


Fig. 1 Block Diagram for Measurement Method

Standard test condition of speaker



L=10cm

Fig. 2 Speaker Test Condition

PACKAGING

units: mm

Remark;

100pcs of speaker in each tray

20 trays in one carton

Total:2000pcs / 1 carton

