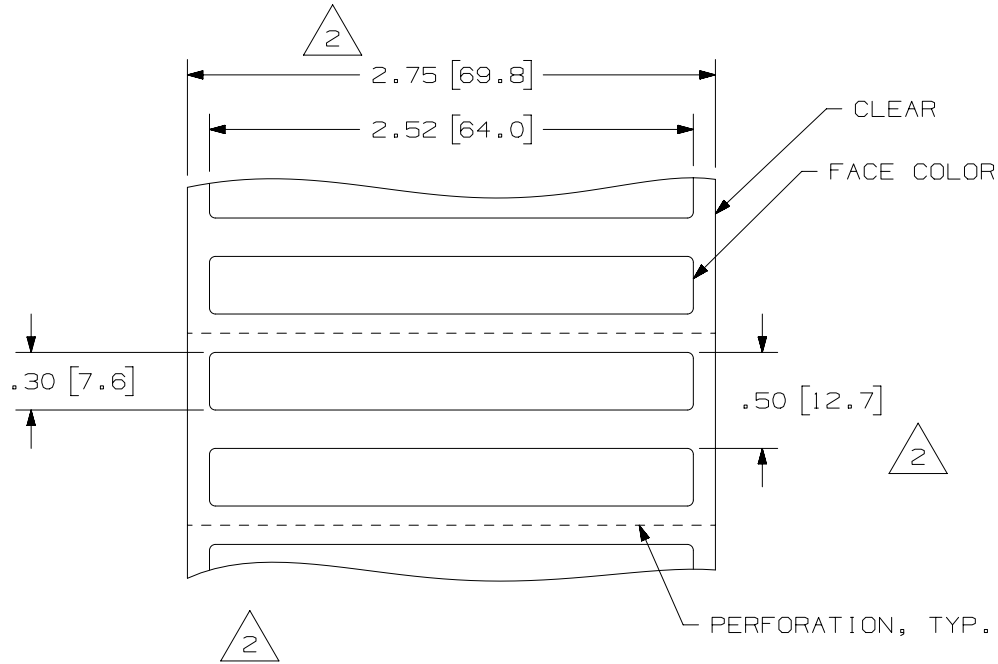


THIS COPY IS PROVIDED ON A RESTRICTED BASIS AND IS NOT TO BE USED IN ANY WAY DETRIMENTAL TO THE INTERESTS OF PANDUIT CORP.

NOTES:

1. DIMENSIONS IN [ ] ARE IN MILLIMETERS.

PANDUIT PART NO.	MATERIAL	FACE COLOR	PKG. QTY.	THICKNESS	PRODUCT TYPE
C252X030APT	GMH3-W	WHITE	500	.030 +/- .010	POLYESTER/ FOAM DATA LABEL
C252X030AOT	GMH3-A	BLACK			



REV	DATE	BY	CHK	APR	DESCRIPTION	ECN
2	5/12/15	RVU	SEWH	JHAC	GMH3-W, GMH3-A WAS GMH3 POLYESTER AND FOAM. UPDATE TOLERANCES, AND TITLE. 0.50 [12.7] WAS 0.625 +/- .062 [15.9 +/- 1.6]. 2.75 [69.9] WAS 3.00 [76.2]. CHANGING DESIGN OF PORT, NO NESTED LABELS.	GAECN02599
1	5/3/10	RVU			ADD PN, C252X030AOT, BLACK.	6036
0	6/29/09	RVU			DRAWING RELEASE.	5780

TITLE					C252X030A*T RAISED PANEL DATA LABELS CUSTOMER DRAWING				
ITEM REVISION NAME					100491BU/04				
DATASET FILE NAME					100491BU_DC_C10752/04C				
UNLESS OTHERWISE SPECIFIED, DIMENSIONAL TOLERANCES ARE: IN [mm]					 MATERIAL: <b>SEE TABLE</b>				
.x ± .12 [ 3.05] .xxx ± .025 [ .635 ] .xx ± .062 [ 1.57 ] ANGLES ±									
DRAWN BY					DRAWING NUMBER:				
RVU					C10752				
DATE					SCALE				
12/16/08					NTS				
CHK					SHT 1 OF 1				
JHAC					A				