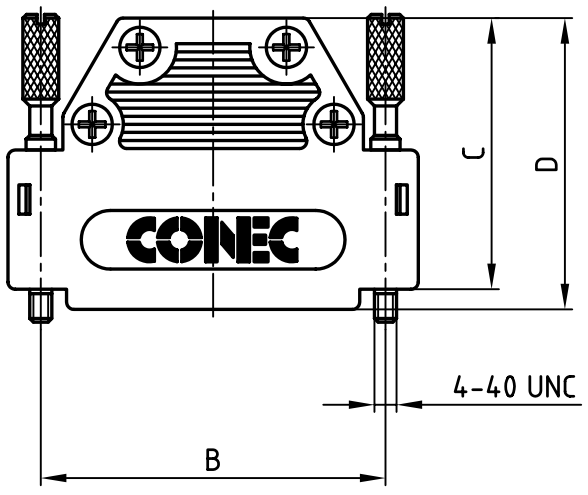
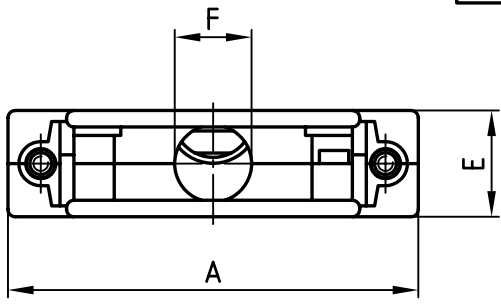


used for: D-SUB



POS.	A	B	C	D	E	F	Part NO.
9	34.0	25.0	25.0	27.75	14.5	8.5	165X10909XE
15	42.3	33.3	37.0	39.75	14.5	10.0	165X10919XE
25	56.0	47.0	37.0	39.75	14.5	10.5	165X10929XE
37	72.5	63.5	37.0	39.75	14.5	10.5	165X10939XE
50	70.0	61.1	50.0	50.00	21.0	10.5	165X10949XE



APPROVAL # FREIGABE # DEBLOCAGE # AUTORIZACION # APPROVAL

CUSTOMER APPROVAL DATE:

NAME: TITLE:

COMPANY NAME:

APPROVAL # FREIGABE # DEBLOCAGE # AUTORIZACION # APPROVAL

- NOTES:**
1. HOOD: ABS V0, METALLIZED
 2. CABLE STRAIN RELIEF: STEEL; NICKEL PLATED
 3. JACK SCREW: BRASS; NICKEL PLATED
 4. COUNTERSUNK HEAD SCREW: STEEL; NICKEL PLATED

THIS DRAWING MAY NOT BE COPIED OR REPRODUCED IN ANY WAY, AND MAY NOT BE PASSED ON TO A THIRD PARTY WITHOUT WRITTEN PERMISSION.
 OWNERSHIP AND COPYRIGHT OF CONEC GmbH
 DO NOT ALTER CAD DRAWING BY HAND

tolerance		dim. in mm	
2006	date	name	
drawn	07.02.	Lehmenkühler	
appd.	07.02.	Mickenbecker	
norm			
d-old			
a	Origin		
rev.	description	date	name



scale:	1:1	
material:	SEE NOTES	
title:	PLASTIC HOOD 9-50pos. WITH STRAIGHT CABLE EXIT with jack screws	
dwg no:	AutoCAD 2004	DIN-A
	16K1A1730	4
part no:	SEE TABLE	sh: 1/1