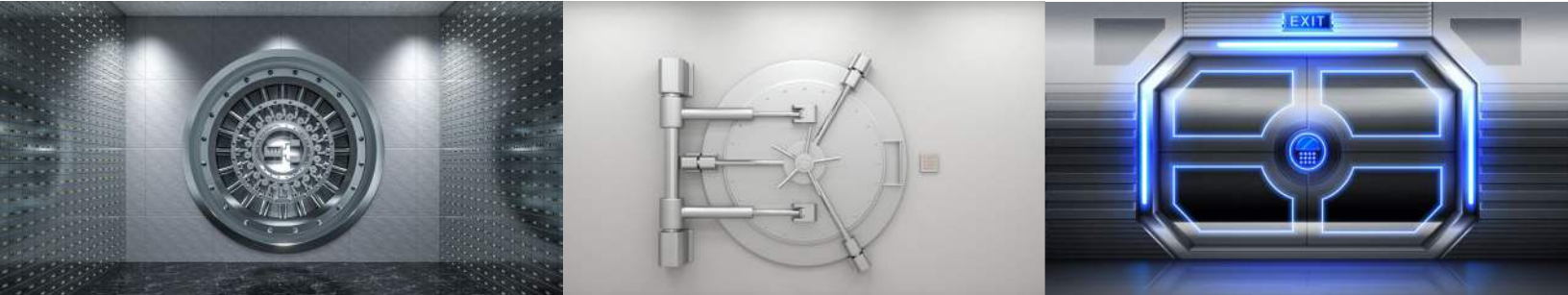


HS-L1.5

High Security Sensor



Advanced MAGNASPHERE® Switch Technology

INTRODUCING
MAGNASPHERE's HS-L1.5
Series High Security Sensor
Listed to UL 634
Level 1 High Security

The L1.5 Sets the New
Standard for Safes,
Vaults and Other High
Security Applications

Available in **Single**
and **Dual Alarm**
Contacts Models



Key Features & Advantages

Tested to 9th Edition UL 634
Level 1 High Security
(both in-swing doors and out-swing)

Single and Dual
Alarm Contacts

**Integrated Removal/
Pry Tamper**
(no back plates)

Low Profile

NO Adjustment
Required for
Installation

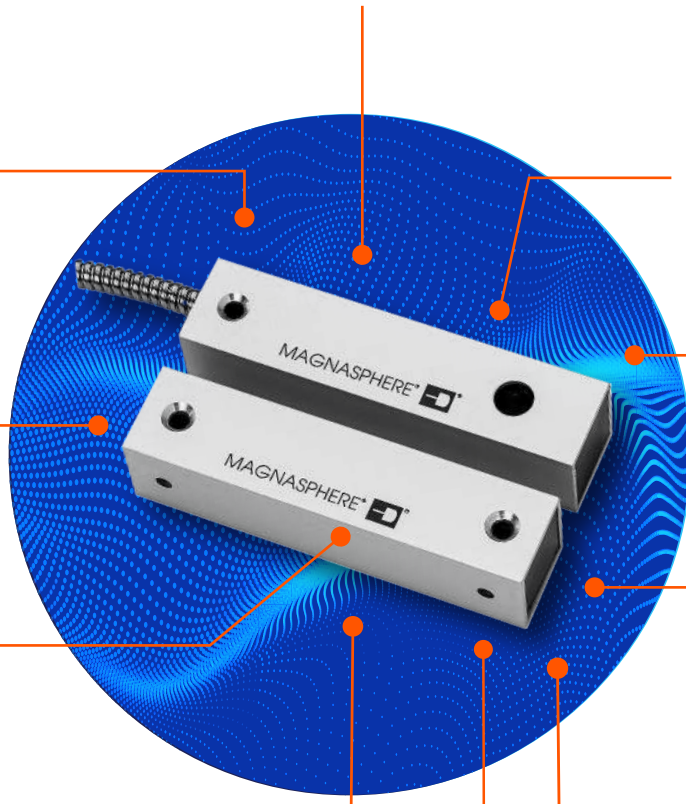
Fire Rated
up to 45 min.

Made with
MAGNASPHERE®
Patented Switch
Technology

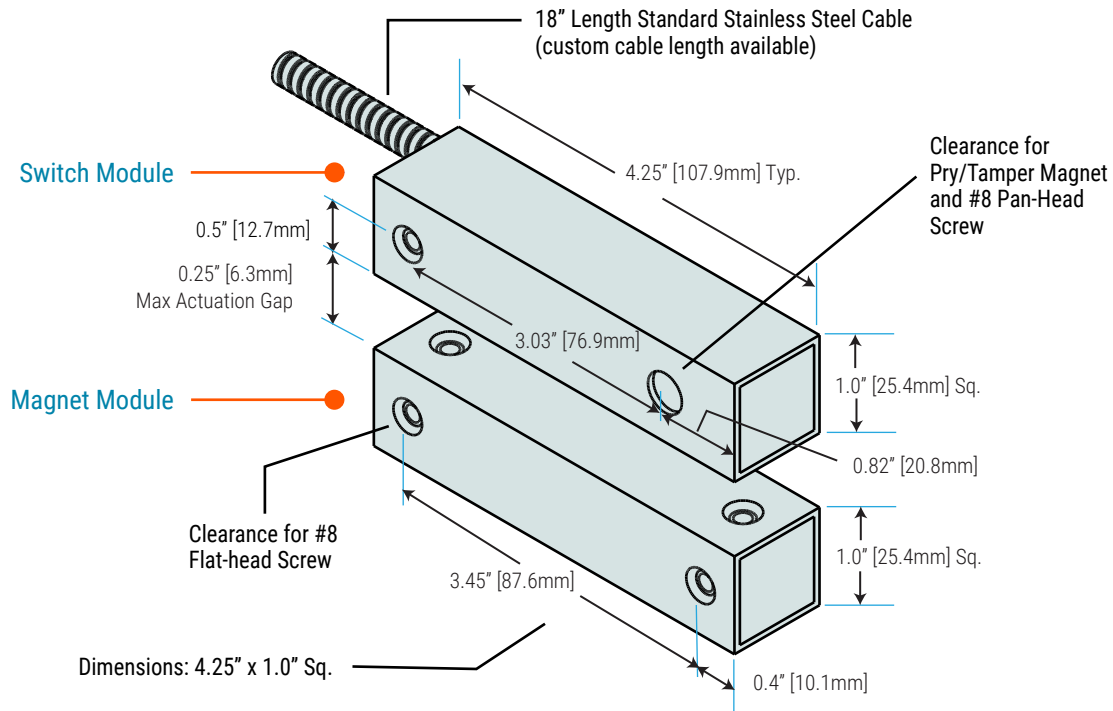
Passive Device
No Power Required

NO Brackets Needed
for Most Out-Swing
Door Installations

Two Hole
Mounting



HS-L1.5 Dimensions



Construction & Technical Specifications

Aluminum Case: Silver-Gray

Wire Lead Type: Solid Color Coded, 22 AWG

Hermetically Sealed Switch Contacts

Fully Epoxy Potted Assembly

Max Voltage: 30 VDC

Max Power: 0.250 W

Max Current: 0.25 A Resistive

Operating Temperature:
-40° C to +80°C

Single Alarm Contacts: One Closed Loop or One Open Loop

Dual Alarm Contacts: Two Closed Loops, One Open Loop and One Closed Loop, or Two Open Loops

Integrated Removal Tamper Circuit: Closed Loop

Intended for Connection to UL Listed Compatible Control Panels



Intrinsically Safe Simple Apparatus. When used in tandem with an Intrinsically Safe Barrier (or "Isolator") which is designed, rated, and listed for the hazardous location class, the installation will be Intrinsically Safe for that hazardous location.



Usage: Suitable for Indoor/Outdoor Use



Fire Rated UL10C Classified for use with Fire-Rated Doors to 45 minutes (Standard Models)



HS-L1.5 Standard Wiring Schematics



Base model part number schematics. Contact state shown with actuating magnet in place.

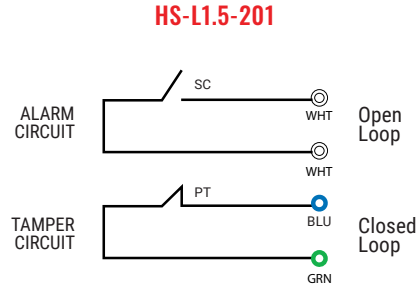
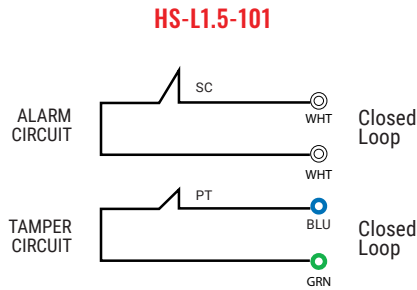
All HS-L1.5 standard model contacts are available as UL10C Fire Rated Level 1 for 45 minutes.

Please specify when ordering by adding the following suffix **-FIRE** to the part number.

[Example: HS-L1.5-101 **-FIRE**]

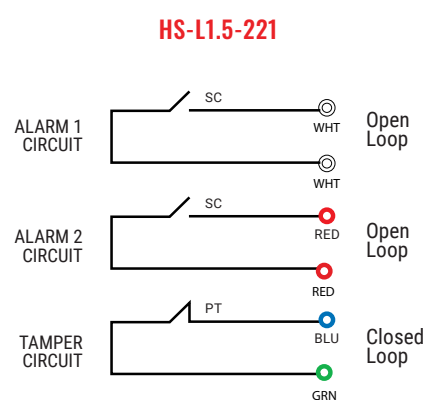
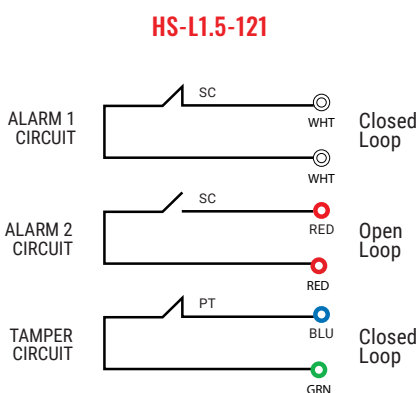
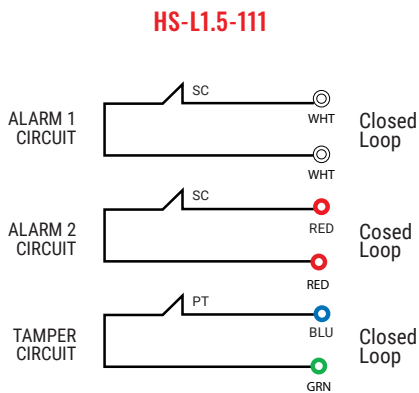
Single Alarm Contact Models

SC = Secure Contact
PT = Pry Tamper



Dual Alarm Contact Models

SC = Secure Contact
PT = Pry Tamper



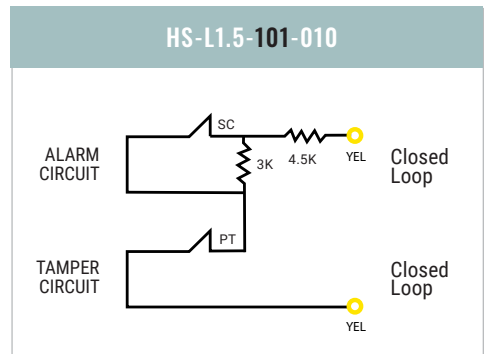
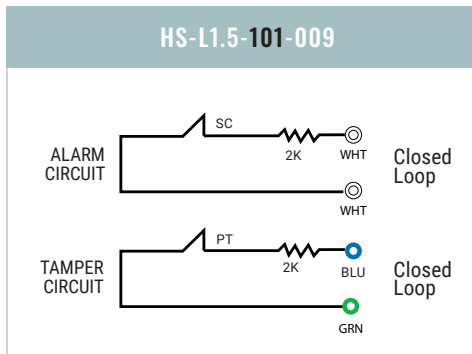
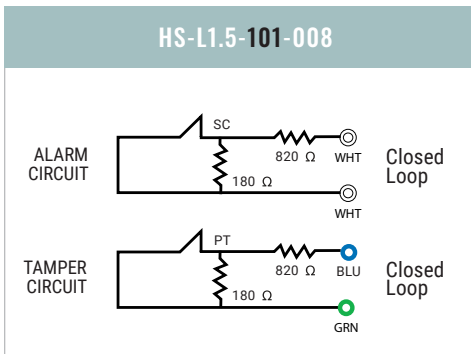
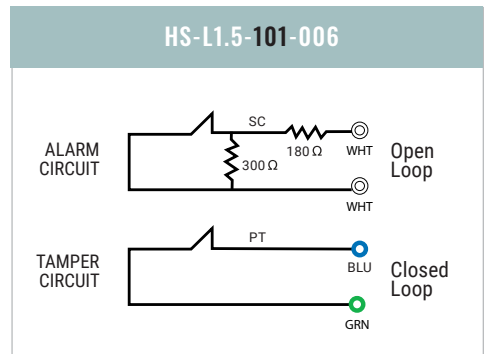
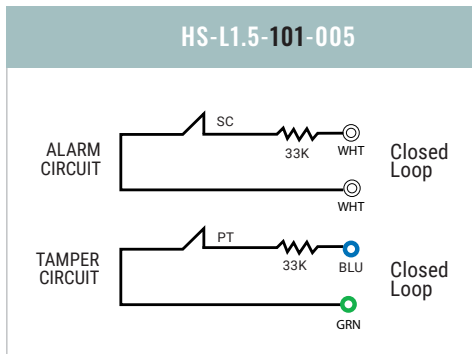
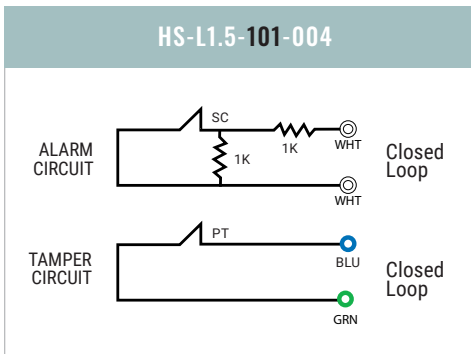
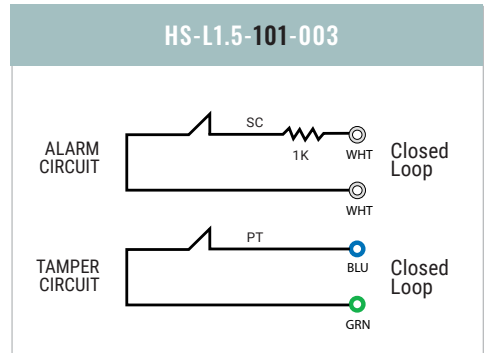
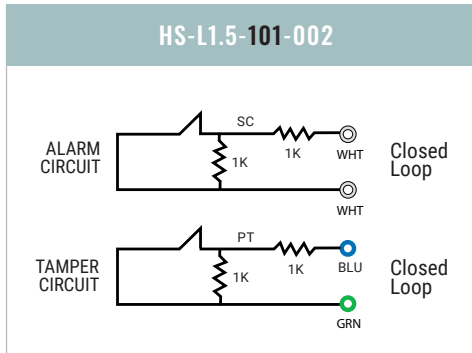
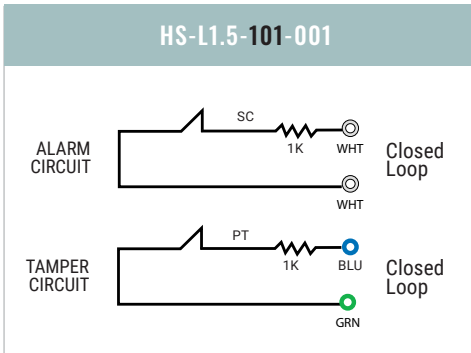
Embedded End-of-Line Resistors (EOL)

Embedded EOL Resistor Models **NOT Available** with UL 10C Fire Rating

Refer to HS-L1.5 Single and Dual Alarm EOL Models section below

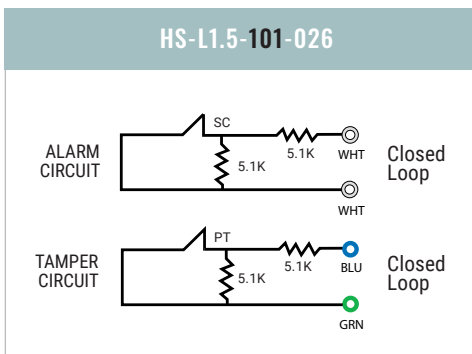
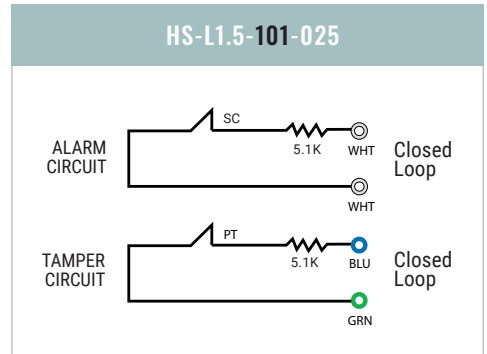
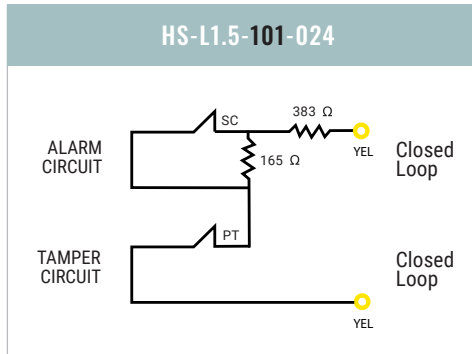
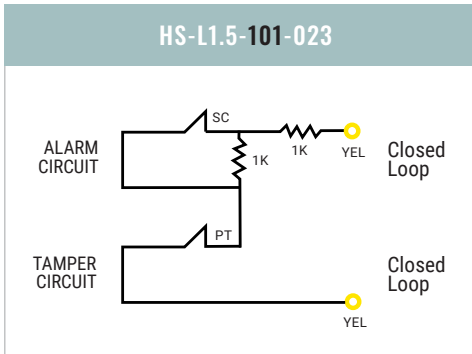
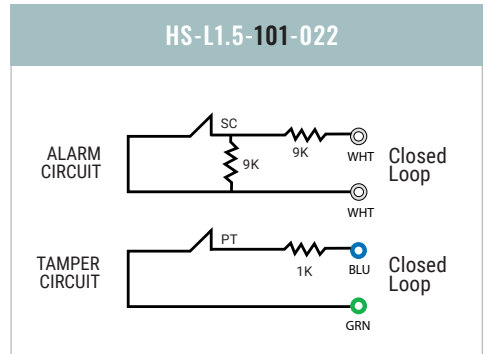
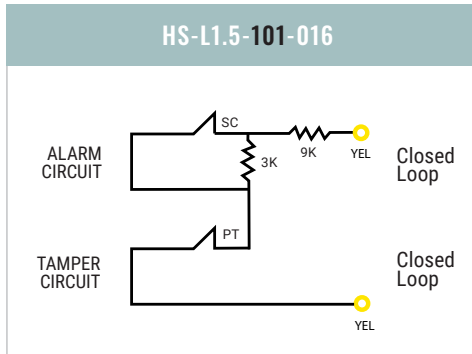
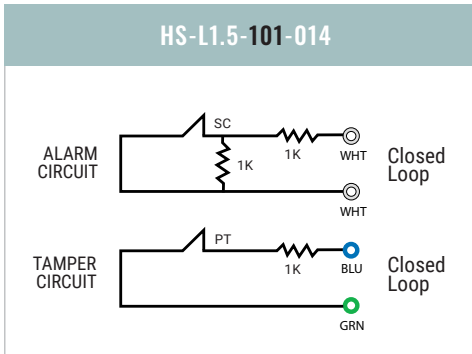
Embedded End-of-Line Resistors Single Alarm Models

Note: Embedded EOL Resistor Models NOT Available with UL 10C Fire Rating

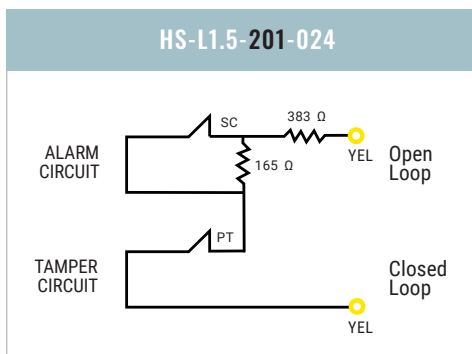
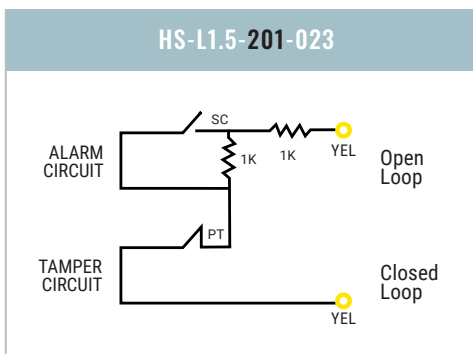
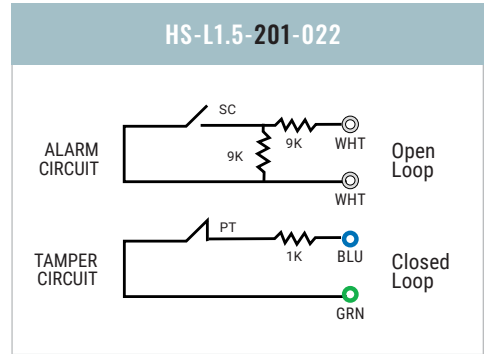
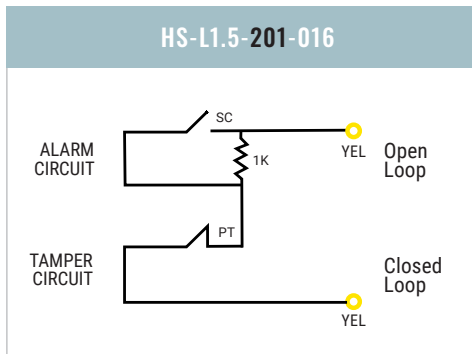
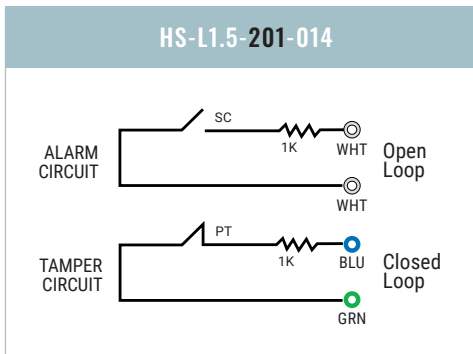
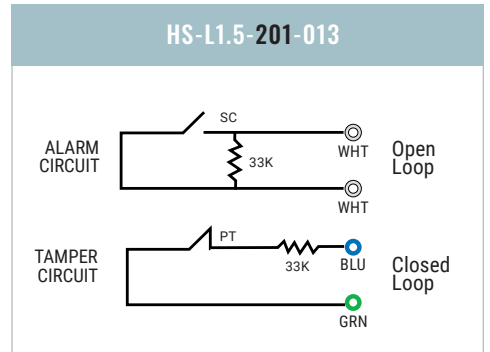
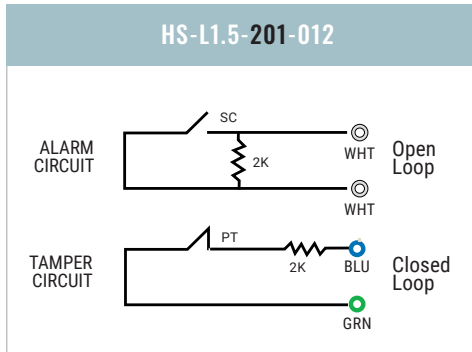
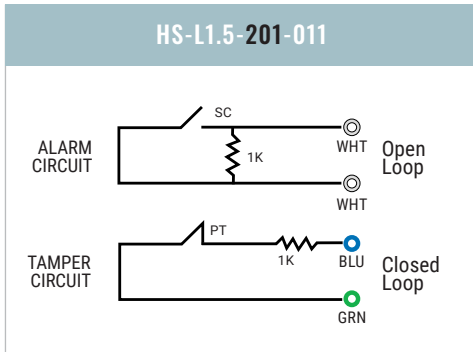


(continued from p. 5)

Embedded End-of-Line Resistors Single Alarm Models

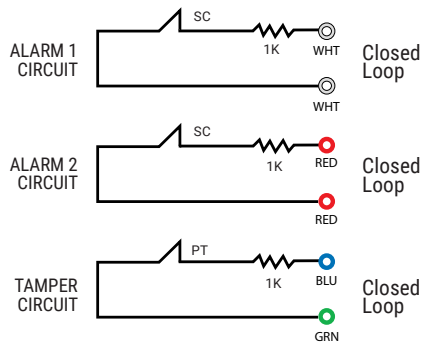


Embedded End-of-Line Resistors Single Alarm Models

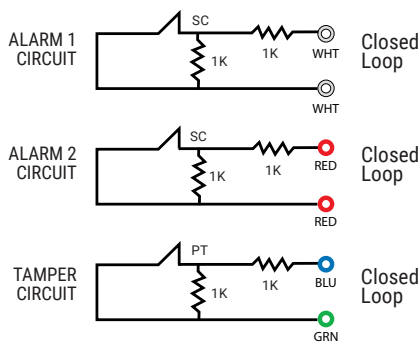


Embedded End-of-Line Resistors Dual Alarm Models

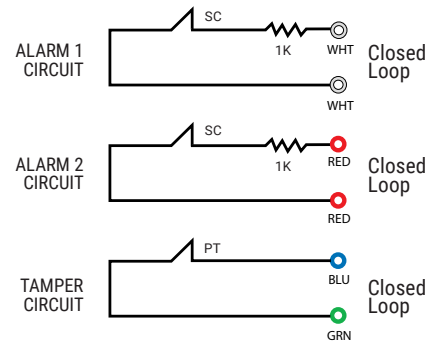
HS-L1.5-111-001



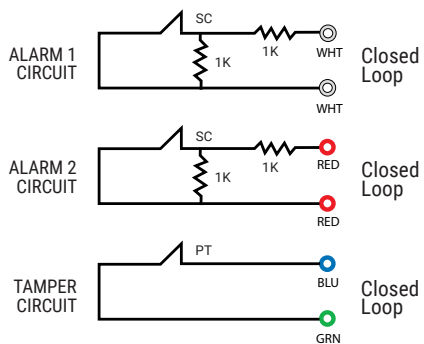
HS-L1.5-111-002



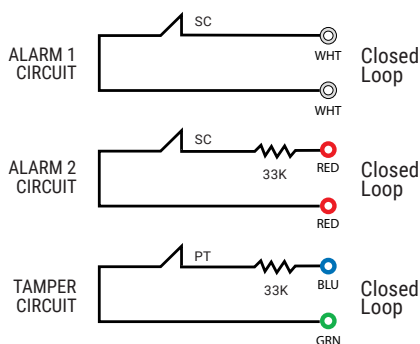
HS-L1.5-111-003



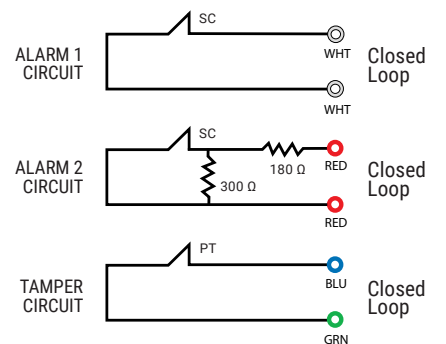
HS-L1.5-111-004



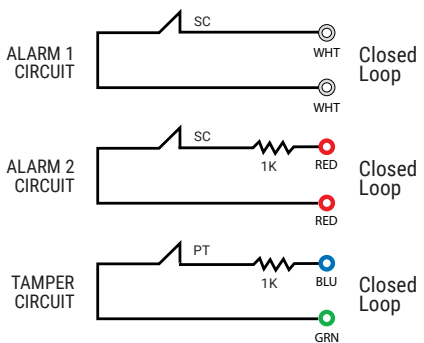
HS-L1.5-111-005



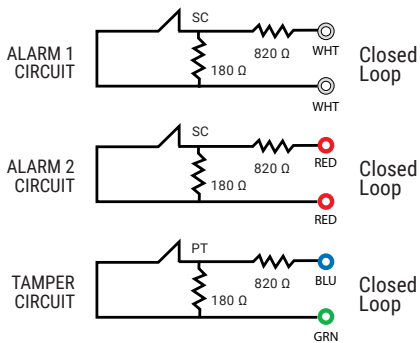
HS-L1.5-111-006



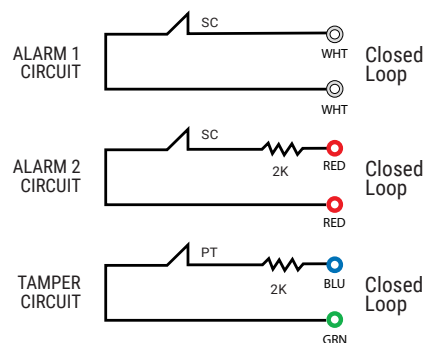
HS-L1.5-111-007



HS-L1.5-111-008

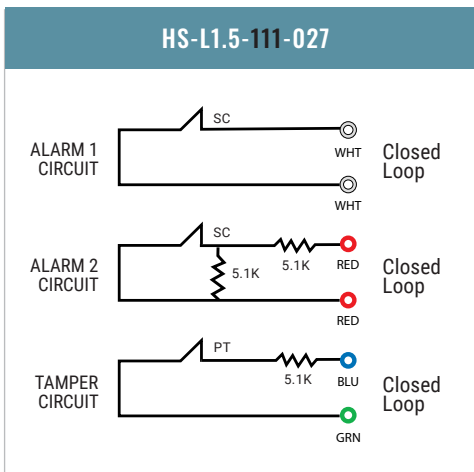
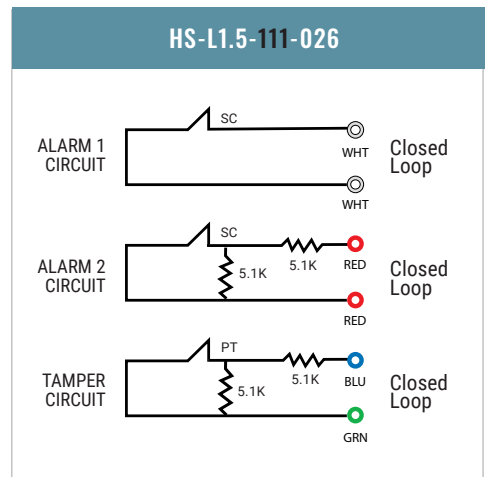
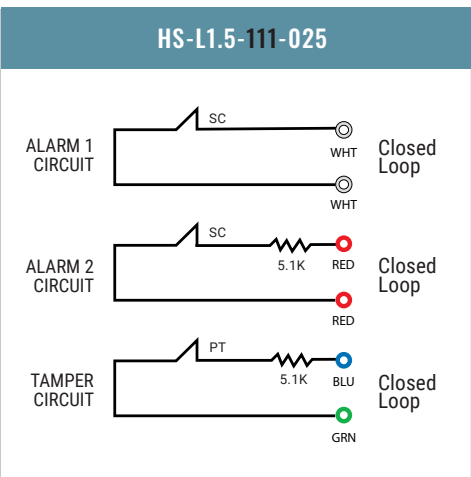
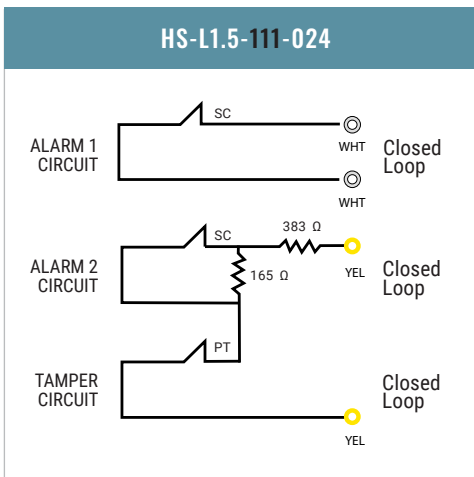
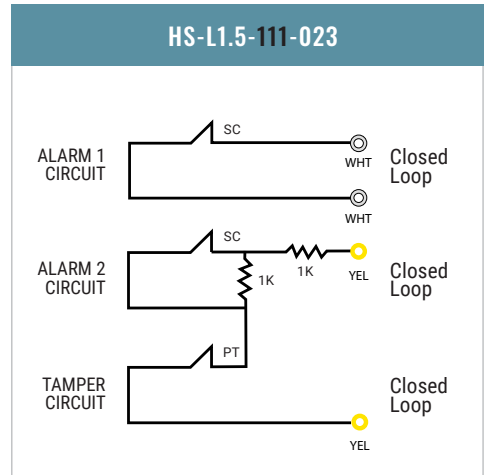
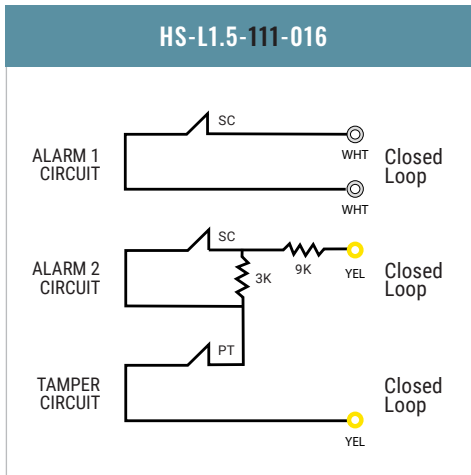
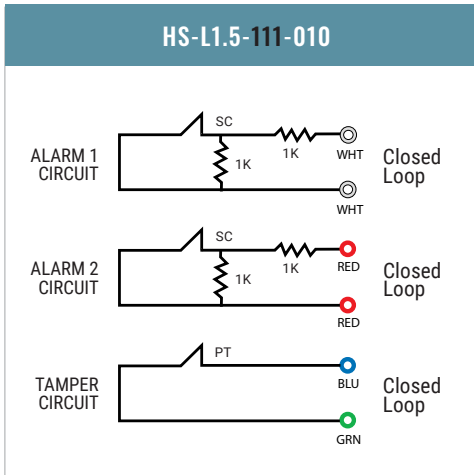


HS-L1.5-111-009

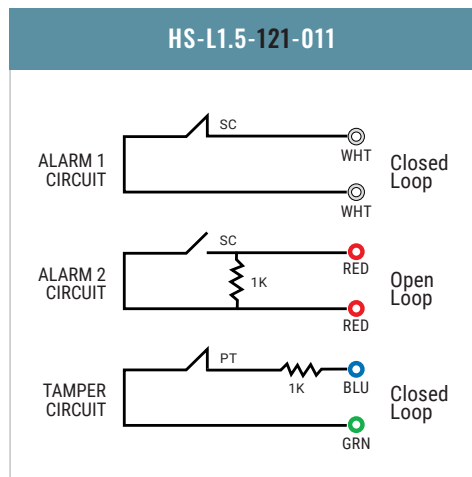
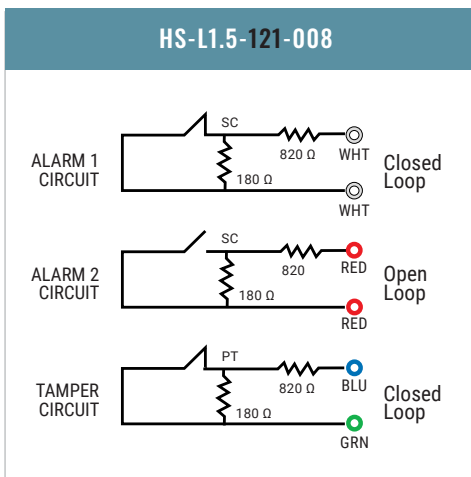
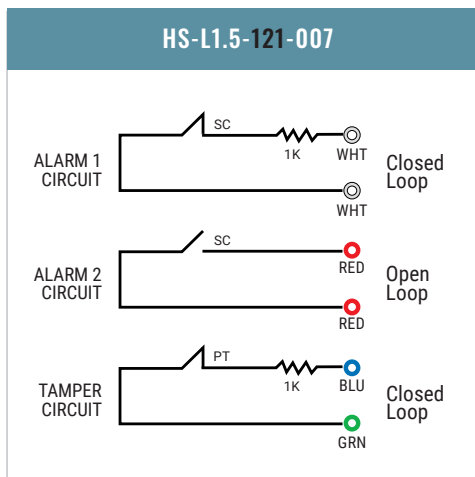
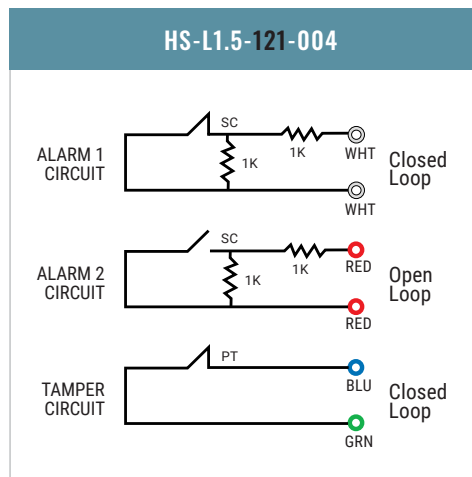
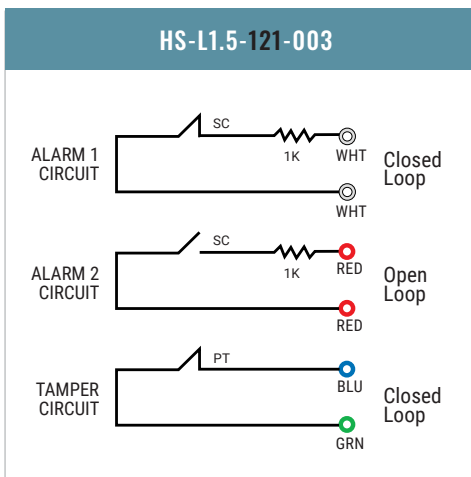
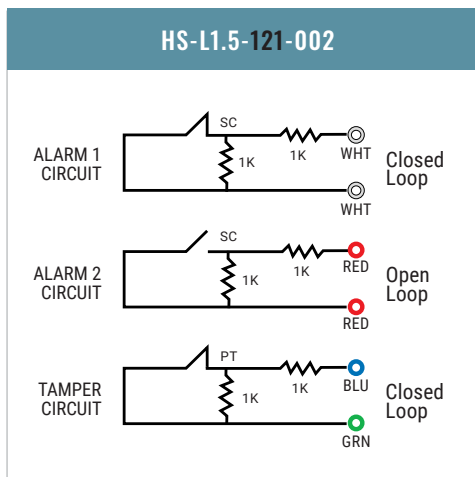


(continued from p. 8)

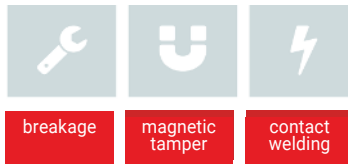
Embedded End-of-Line Resistors Dual Alarm Models



Embedded End-of-Line Resistors Dual Alarm Models



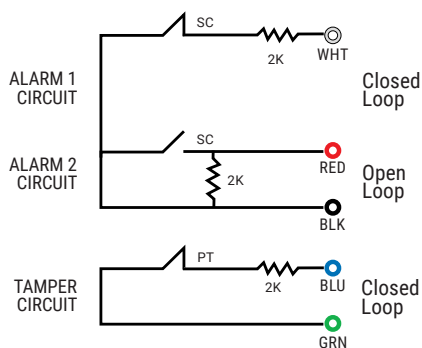
The MAGNASPHERE switch **will not** break, and resists permanent contact welding and magnetic tamper attempts.



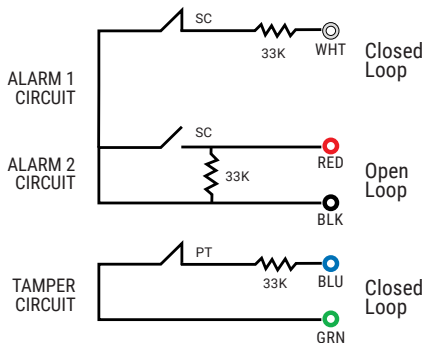
(continued from p. 10)

Embedded End-of-Line Resistors Dual Alarm Models

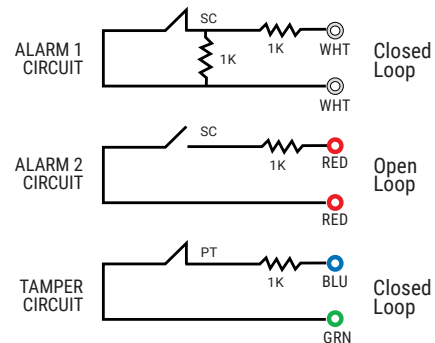
HS-L1.5-121-012



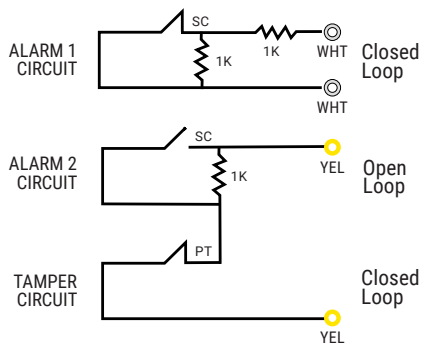
HS-L1.5-121-013



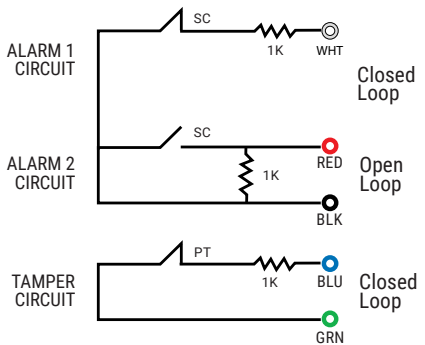
HS-L1.5-121-014



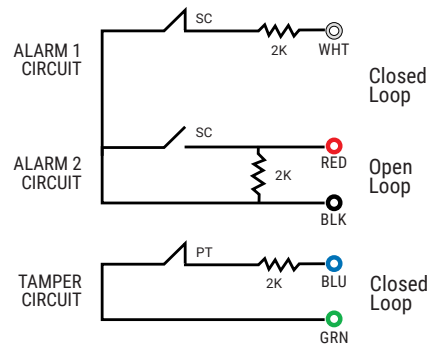
HS-L1.5-121-015



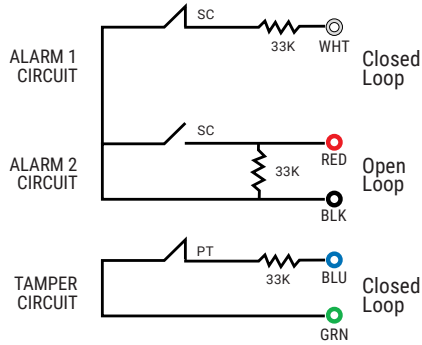
HS-L1.5-121-019



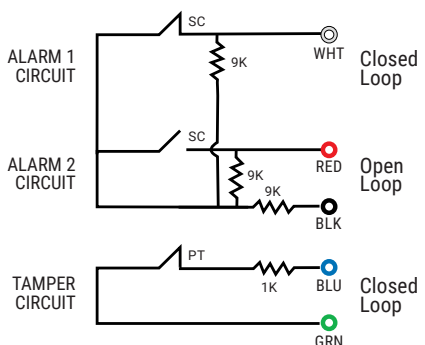
HS-L1.5-121-020



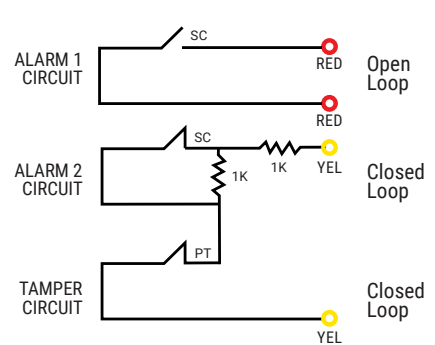
HS-L1.5-121-021



HS-L1.5-121-022



HS-L1.5-121-023



MAGNASPHERE®



Robust, with an all metal construction, the MAGNASPHERE® switch is virtually unbreakable. Resistant to magnetic tampering, permanent contact welding resulting from high voltage and electromagnetic interference.

Our switch is made with a mercury-free design for environmental safety.

MAGNASPHERE® is a privately-owned company providing superior performing magnetic contact sensor technology for the residential, commercial, and federal government security markets. Our Headquarters are located in Waukesha, Wisconsin.



MAGNASPHERE® holds numerous patents and trade marks and are registered with the U.S. Patent and Trademark Office.

RESISTS MAGNETIC TAMPER



RESISTS CONTACT WELDING



VIRTUALLY INDESTRUCTIBLE



© 2022 MAGNASPHERE® Corp. All Rights Reserved. Revision 11/18/22

Contact Info



MAGNASPHERE.com



(262) 347-0711



support@magnasphere.com