

**NEW**  

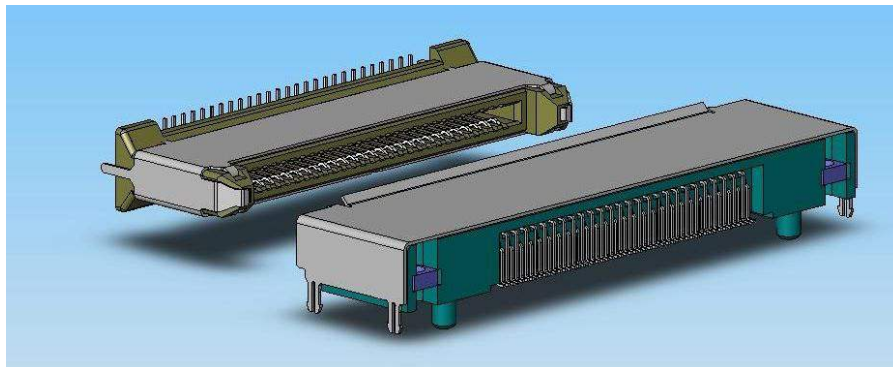

Board to Board Connector Compatible to SATA

CONNECTOR

MB-0139-2

July 2006

## WM2 Series

**RoHS Compliant**

WM2 Series are USB2.0 and SATA (Serial ATA) compatible unit connection connectors, that can be used for the bay unit connection of notebook PCs.

### Features

- Compatible to SATA and USB 2.0 transmission.
- With shell compatible to EMI  
The shells (ground portion) will connect first when mating.
- Strong durability, 10,000 times mating and unmating cycle guaranteed
- Two-step live insertion structure is employed for contact.
- Comes with enough guide for blind mating. Length of guide:  $\pm 17$ mm (each direction)

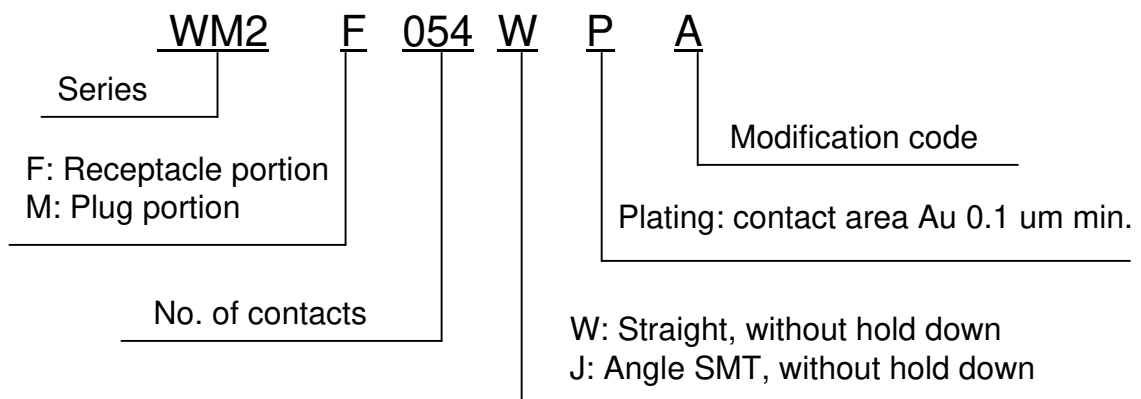
### General Specifications

- No. of contacts: 54 pos.
- Contact resistance: 50m ohm max.
- Dielectric withstanding voltage : AC250 per minute
- Operating temperature: -40 Deg. C to +85 Deg. C
- Rated voltage: 0.5A/ per pin
- Durability: 10,000 cycle

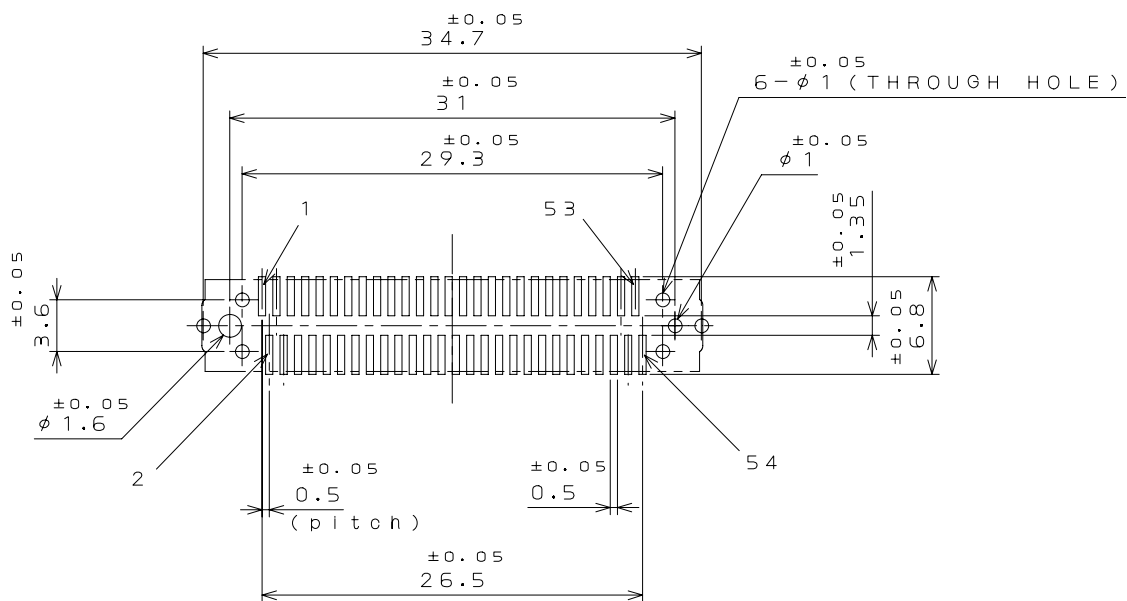
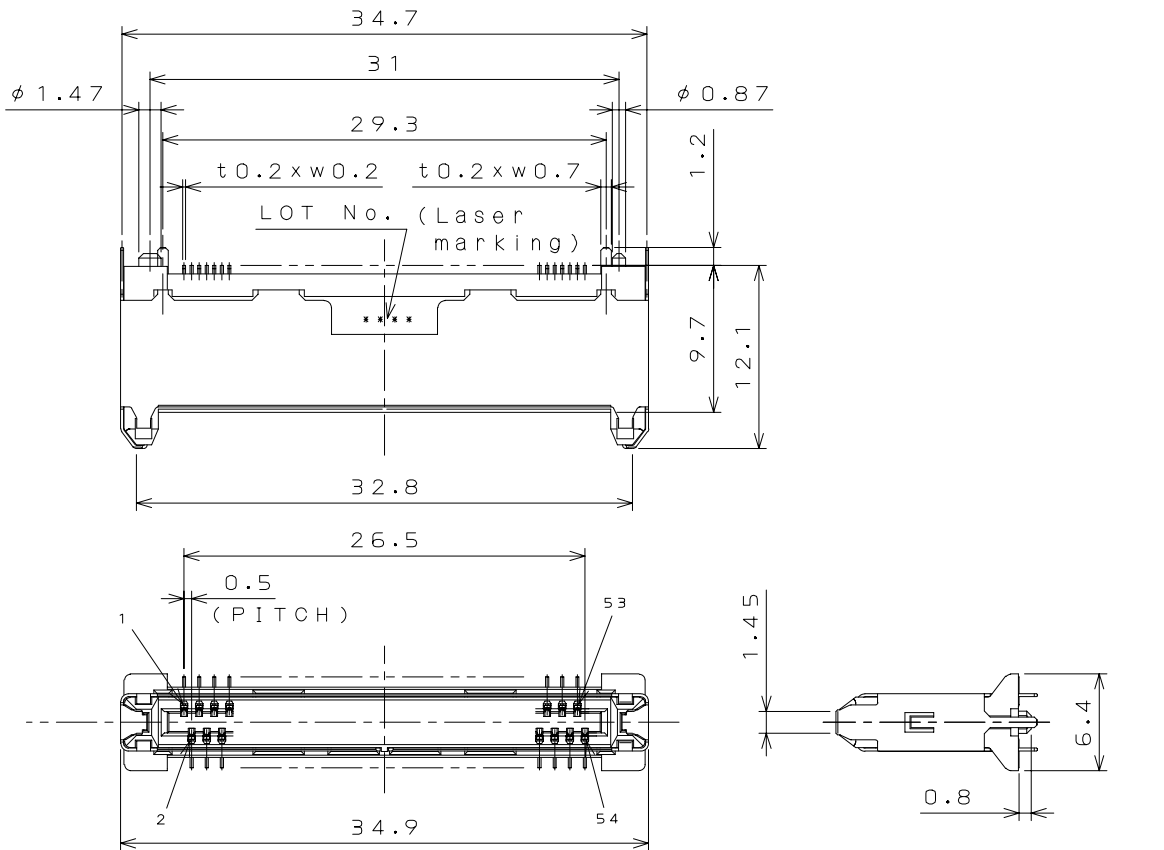
Materials and Finishes

Components	Materials /Finishes
Receptacle	
Contact	Copper Alloy/ Contact: 0.1um min. Au plating over Ni Terminal: Au flash plating over Ni
Insulator	Glass filled LCP (UL94V-0)
Shell	Stainless steel
Plug	
Contact	Copper Alloy/ Contact: 0.1um min. Au plating over Ni Terminal: Au flash plating over Ni
Insulator	Glass filled LCP
Shell	Stainless steel
Nut	Steel/ Ni plating M2

Ordering Information

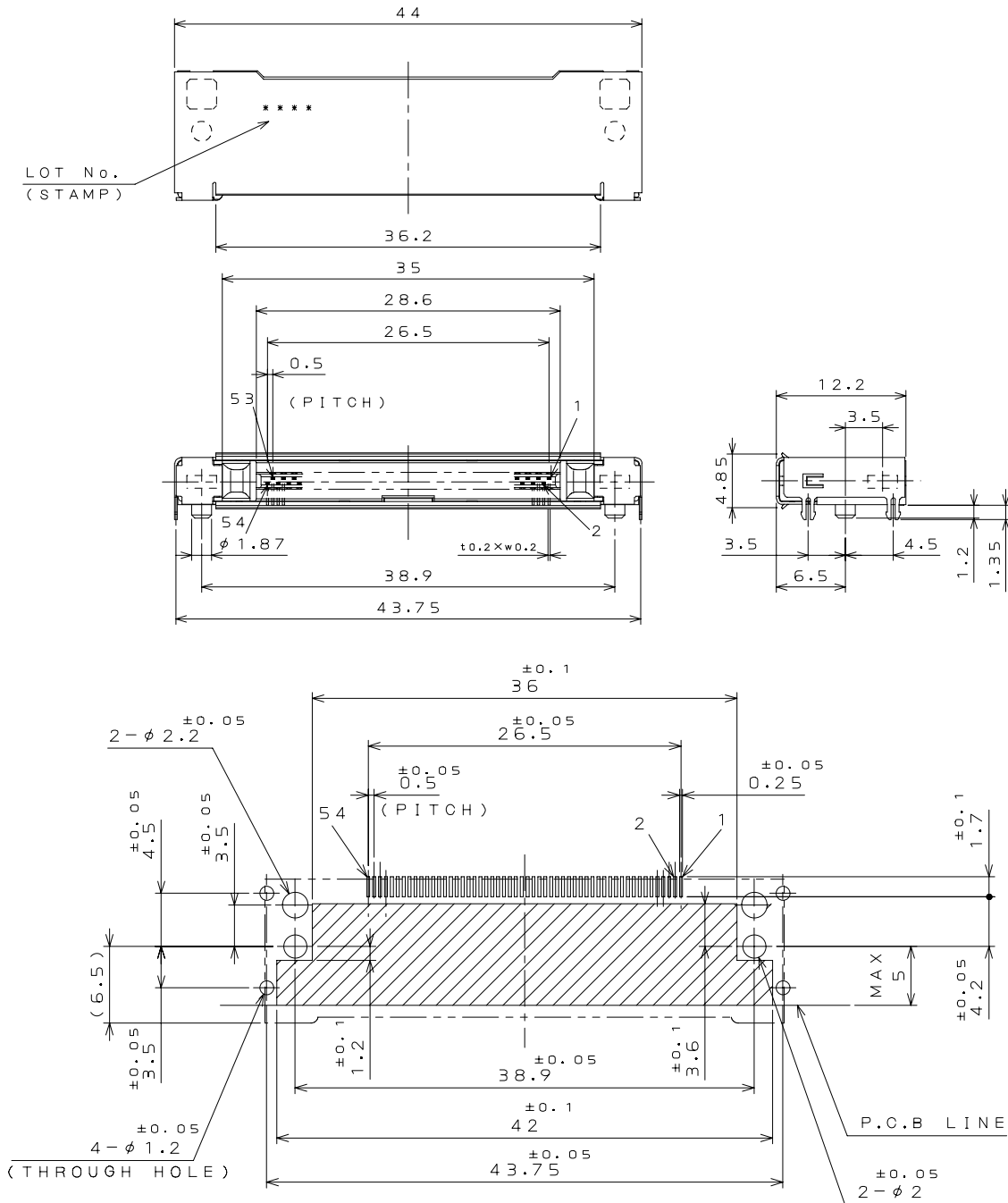


# Receptacle side: WM2F054WPA (SJ100657)



**Applicable P.C.B dimension**

# Plug side: WM2M054JPA (SJ100658)



## Applicable P.C.B dimension

### Japan Aviation Electronics Industry, Limited

Product Marketing Division  
 Aobadai Building, 3-1-19, Aobadai, Meguro-ku, Tokyo 153-8539  
 Phone: +81-3-3780-2787 FAX: +81-3-3780-2946

**Notice:** Products shown in this leaflet are made for the applications listed below. However, if the above-mentioned products are to be used in aerospace devices, marine cable-connection devices, atomic power control systems, medical equipment for life-support systems, or any other specific application requiring extremely high reliability, please contact JAE for further information.  
 Recommended applications: computers, office machines, measuring devices, telecommunication devices (terminals, mobile devices), AV devices, household applications, FA devices, etc.