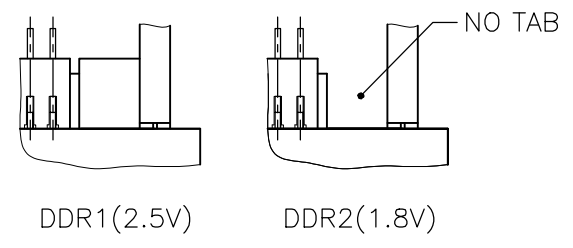
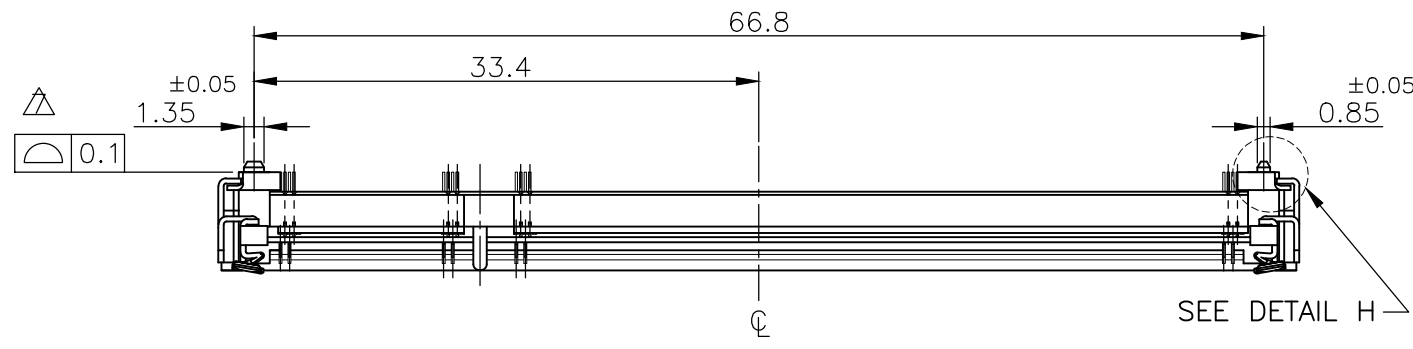


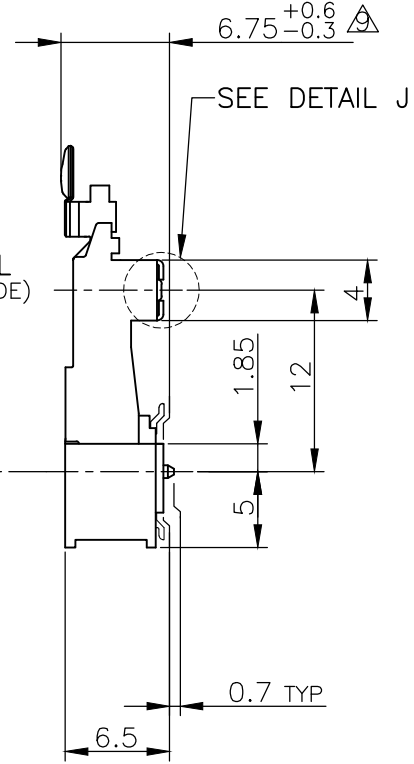
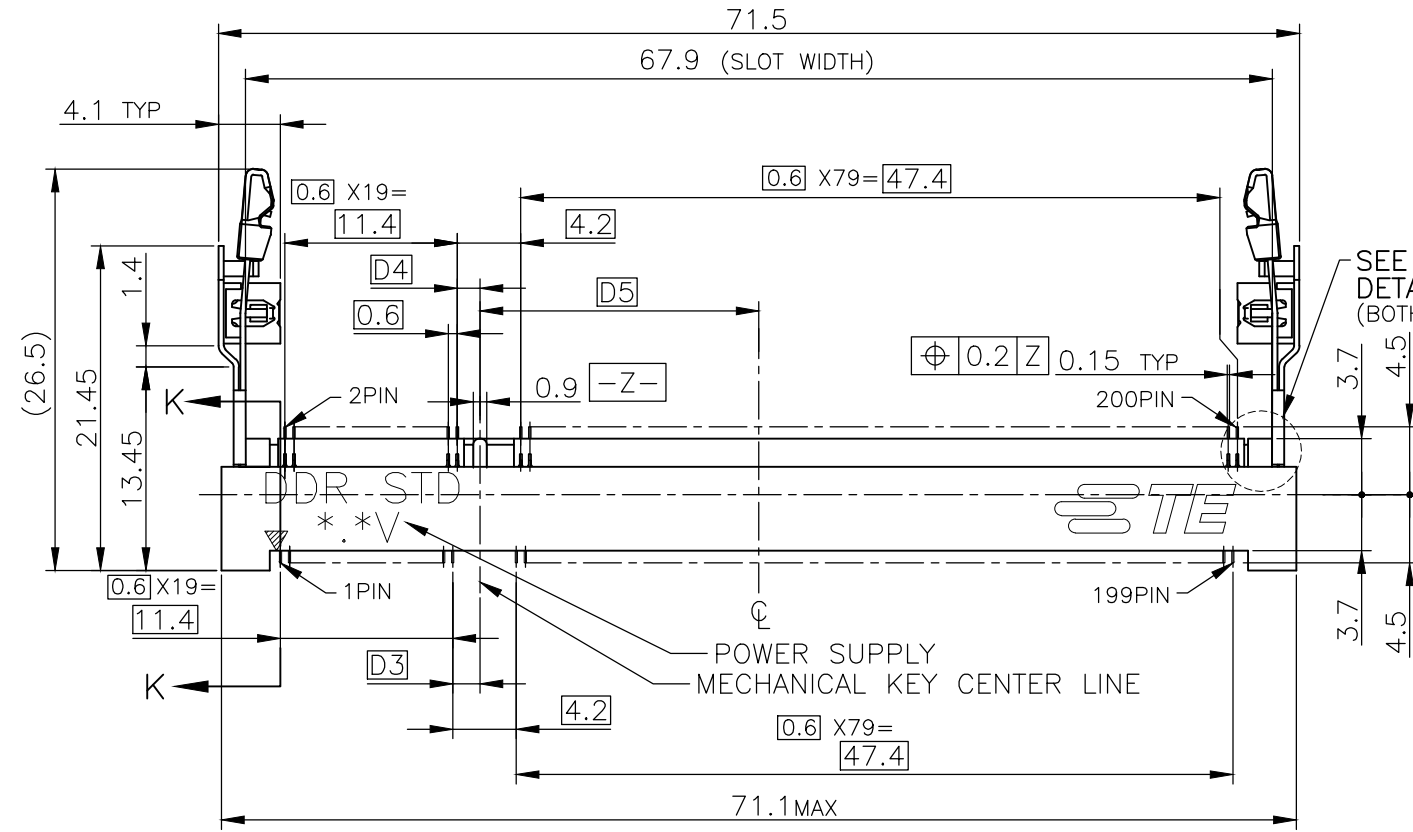
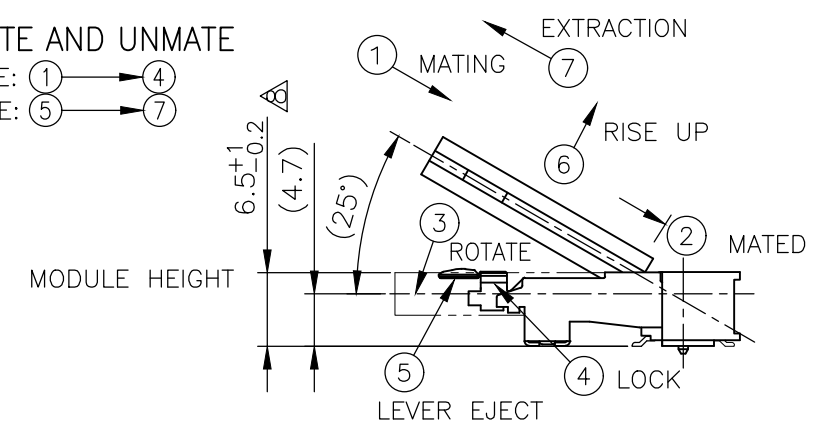
P	LTR	DESCRIPTION	DATE	DWN	APVD
E		ECR-20-007088	19MAY20	D.Z	S.L



DETAIL L (SCALE 5:1)

HOW TO MATE AND UNMATE

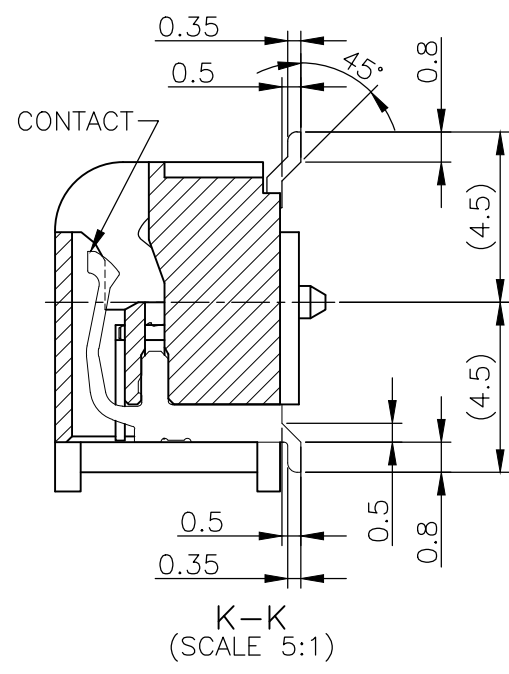
- MATE: ① → ④  
UNMATE: ⑤ → ⑦



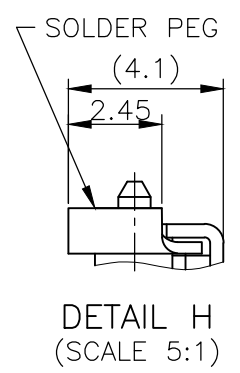
SEE DETAIL J

(APPLIED TO SHEET 1-2)

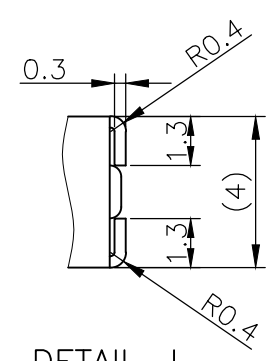
- MATERIAL ; HOUSING: HIGH TEMPERATURE THERMO PLASTIC UL94V-0  
CONTACT: COPPER ARROY  
LOCK LEVER: STAINLESS STEEL  
SOLDER PEG: COPPER ARROY
  - FINISH ; CONTACT AREA: GOLD FLASH ON 0.0013MIN ALL OVER NICKEL.  
SOLDERING AREA: GOLD FLASH PLT.  
SOLDER PEG: TIN PLATING.
- △ MECHANICAL KEY POSITION OF CONNECTOR SEE TABLE.  
 ▲ TOLERANCES NON-CUMULATIVE.  
 △ NOT TO SCALE.  
 △ [Dotted Box] INSIDE MUST BE RESIST COAT EXCEPT SOLDER PATTERN.  
 △ COPLANARITY : 0.1 MAX.  
 △ THE FLOATING VALUE BY SOLDERING IS NOT INCLUDED.  
 △ NOT MATING CONDITION.  
 10 IF THE MODULE DOESN'T INSERT AND LOCK IN THE LATCH SMOOTHLY, OPEN WIDE BOTH LATCHES BY MANUAL. AND THE MODULE MUST BE INSERTED AND LOCKED IN THE LATCH.



K-K (SCALE 5:1)



DETAIL H (SCALE 5:1)



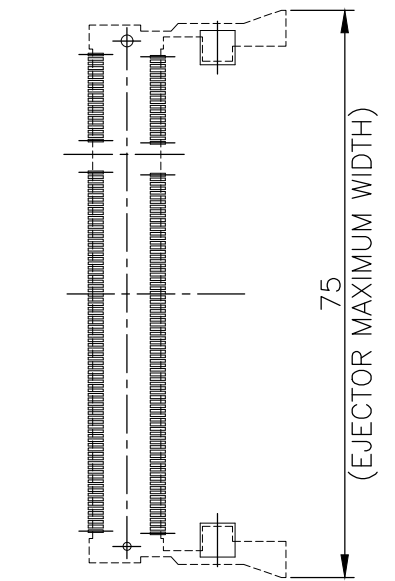
DETAIL J (SCALE 5:1)

GENERAL TOLERANCE  
 10 ≥ : ±0.2  
 30 ≥ > 10: ±0.25  
 100 ≥ > 30: ±0.3  
 ANGLES: ±3°

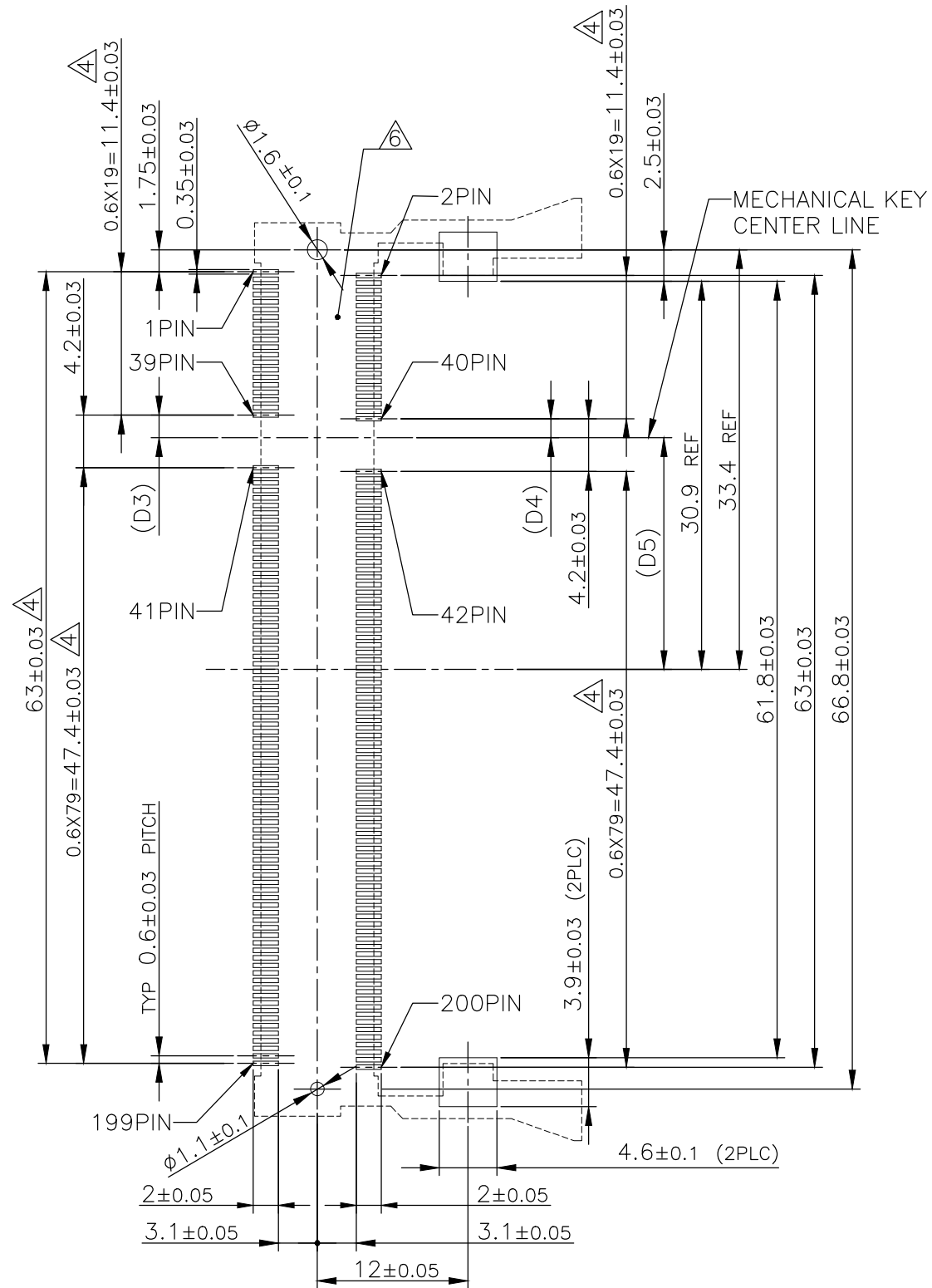
AVAILABLE	— # —	1.8V (DDR2)	17.55	2.4	2.7	200	1717468-4
AVAILABLE	— # —	2.5V (DDR1)	18.45	1.5	1.8	200	1717468-3
TOOLING STATUS	REMARKE	POWE SUPPLY (TYPE)	D5	D4	D3	POS	PART NO.
THIS DRAWING IS A CONTROLLED DOCUMENT.		DWN	T.FUMIKURA 22AUG03				
		CHK	T.KUSUHARA 22AUG03				
		APVD	H.MURAMATSU 22AUG03				
DIMENSIONS: MM		PRODUCT SPEC		NAME			
TOLERANCES UNLESS OTHERWISE SPECIFIED:		108-5701		DDR1 & DDR2 SODIMM SOCKET			
0 PLC ±		APPLICATION SPEC		0.6mm PITCH 200POS			
1 PLC ±		WEIGHT		6.5 HEIGHT STANDARD TYPE			
2 PLC ±		5.2g		SIZE		RESTRICTED TO	
3 PLC ±		A3		CAGE CODE		C-1717468	
4 PLC ±		CUSTOMER DRAWING		DRAWING NO		SCALE	
ANGLES ±		SCALE		SHEET		REV	
FINISH ±		2:1		1 OF 4		E	

P	LTR	DESCRIPTION	DATE	DWN	APVD
-	-	SEE SHEET 1	-	-	-

REFERENCE P.C.BOARD PATTERN LAYOUT  
(CONNECTOR MOUNTING SIDE)



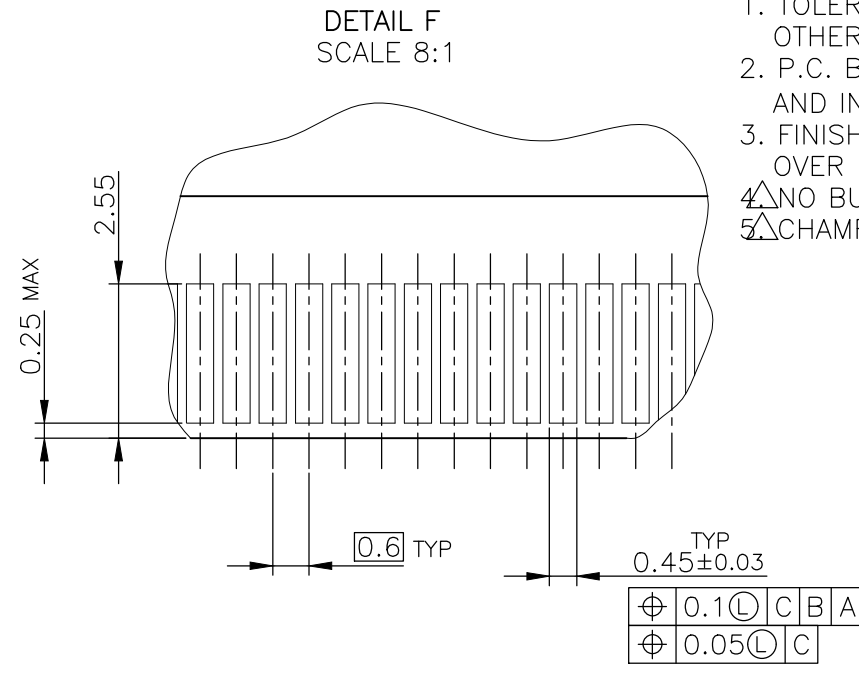
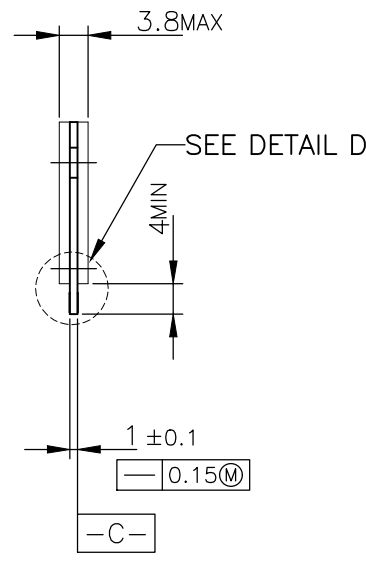
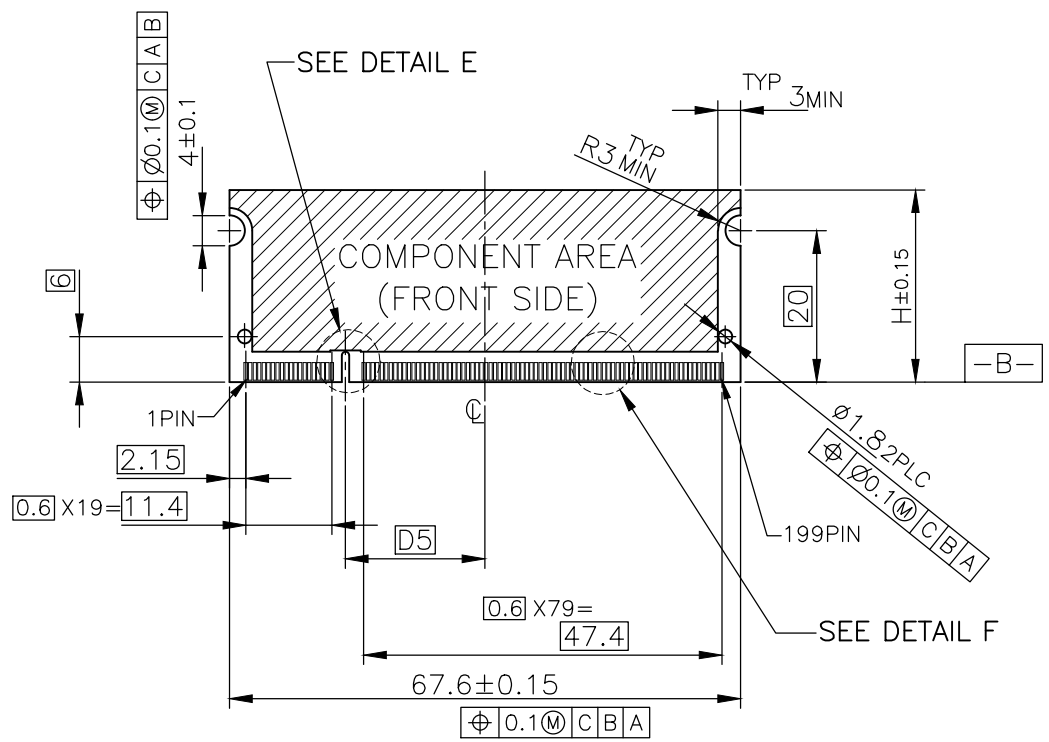
REAL SIZE (SCALE 1:1)



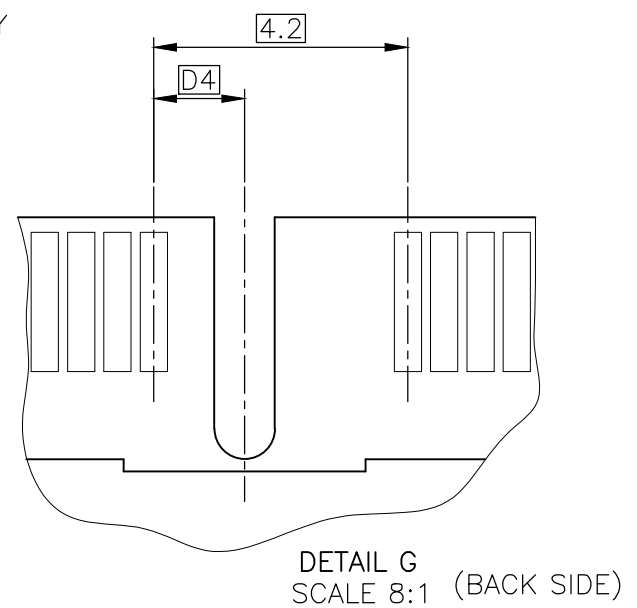
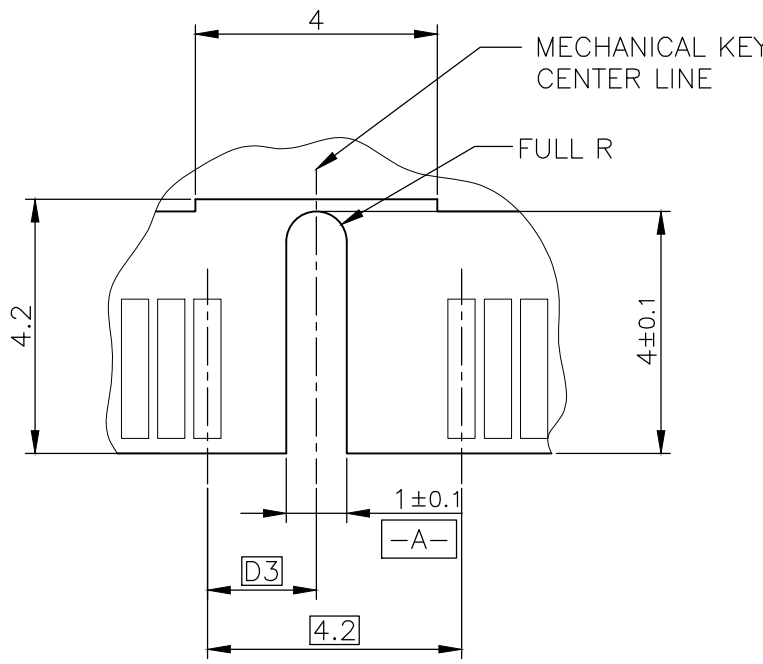
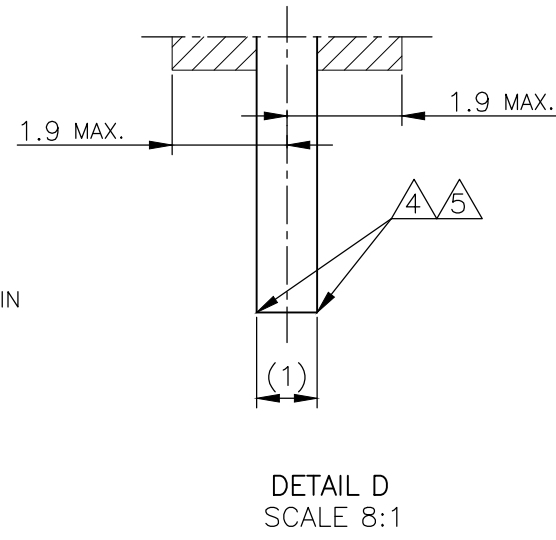
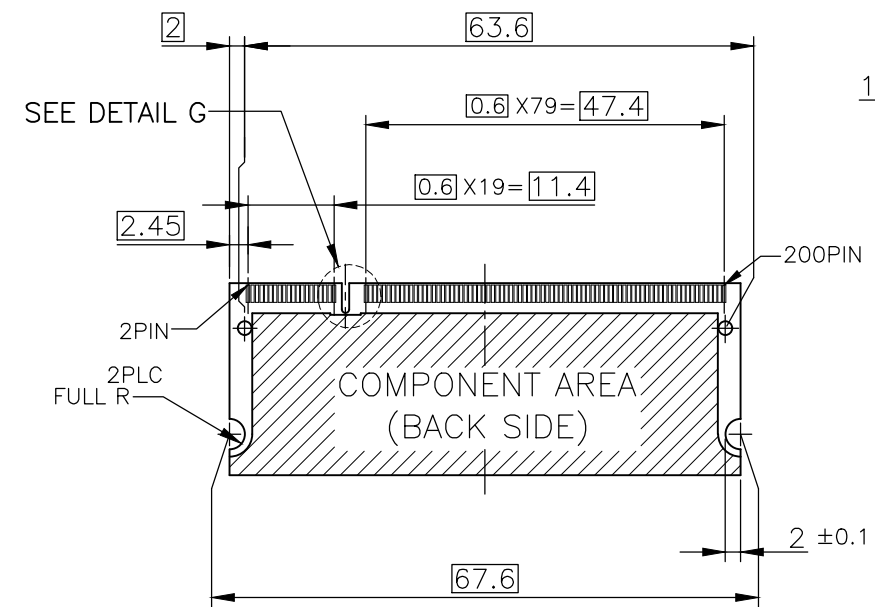
1.8V	17.55	2.4	2.7
2.5V	18.45	1.5	1.8
POWER SUPPLY	D5	D4	D3

THIS DRAWING IS A CONTROLLED DOCUMENT.		DWN	<b>STE</b> TE Connectivity Ltd.	
DIMENSIONS: MM		CHK		
TOLERANCES UNLESS OTHERWISE SPECIFIED:		APVD	NAME	
0 PLC ±		PRODUCT SPEC	DDR1 & DDR2 SODIMM SOCKET	
1 PLC ±		APPLICATION SPEC	0.6mm PITCH 200POS	
2 PLC ±		WEIGHT	6.5 HEIGHT STANDARD TYPE	
3 PLC ±		CUSTOMER DRAWING	SIZE	RESTRICTED TO
4 PLC ±			A3	
ANGLES ±		CAGE CODE	DRAWING NO	
FINISH		G=	1717468	
		SCALE	SHEET	REV
		2:1	2 OF 4	E

P	LTR	DESCRIPTION	DATE	DWN	APVD
-	-	SEE SHEET 1	-	-	-



- (APPLIED TO SHEET 3)
1. TOLERANCES ON ALL DIMENSIONS ±0.15 UNLESS OTHERWISE SPECIFIED.
  2. P.C. BOARD THICKNESS APPLIES ACROSS TABS AND INCLUDES PLATING AND/OR METALIZATION.
  3. FINISH OF PAD : GOLD PLATING 0.00076 MIN. OVER Ni PLATING 0.002MIN.
  4. NO BURR
  5. CHAMFER 0.25 MAX x 45° IF EXIST.



推奨基板仕様  
RECOMMENDED MATING P.C.B CONFIGURATION

THIS DRAWING IS A CONTROLLED DOCUMENT.

DIMENSIONS:	TOLERANCES UNLESS OTHERWISE SPECIFIED:
MM	
0 PLC	±
1 PLC	±
2 PLC	±
3 PLC	±
4 PLC	±
ANGLES	±
MATERIAL	FINISH

DWN
CHK
APVD
PRODUCT SPEC
APPLICATION SPEC
WEIGHT
CUSTOMER DRAWING

31.75	1.8V	17.55	2.4	2.7
25.4	2.5V	18.45	1.5	1.8
H	POWER SUPPLY	D5	D4	D3

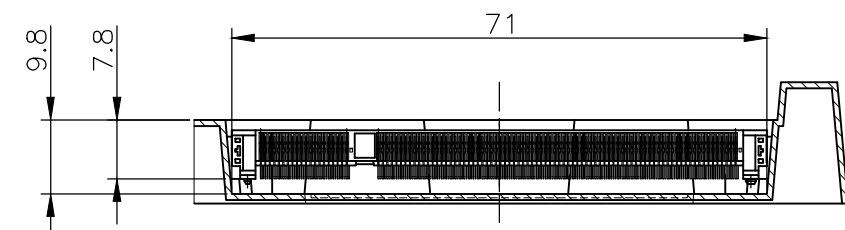
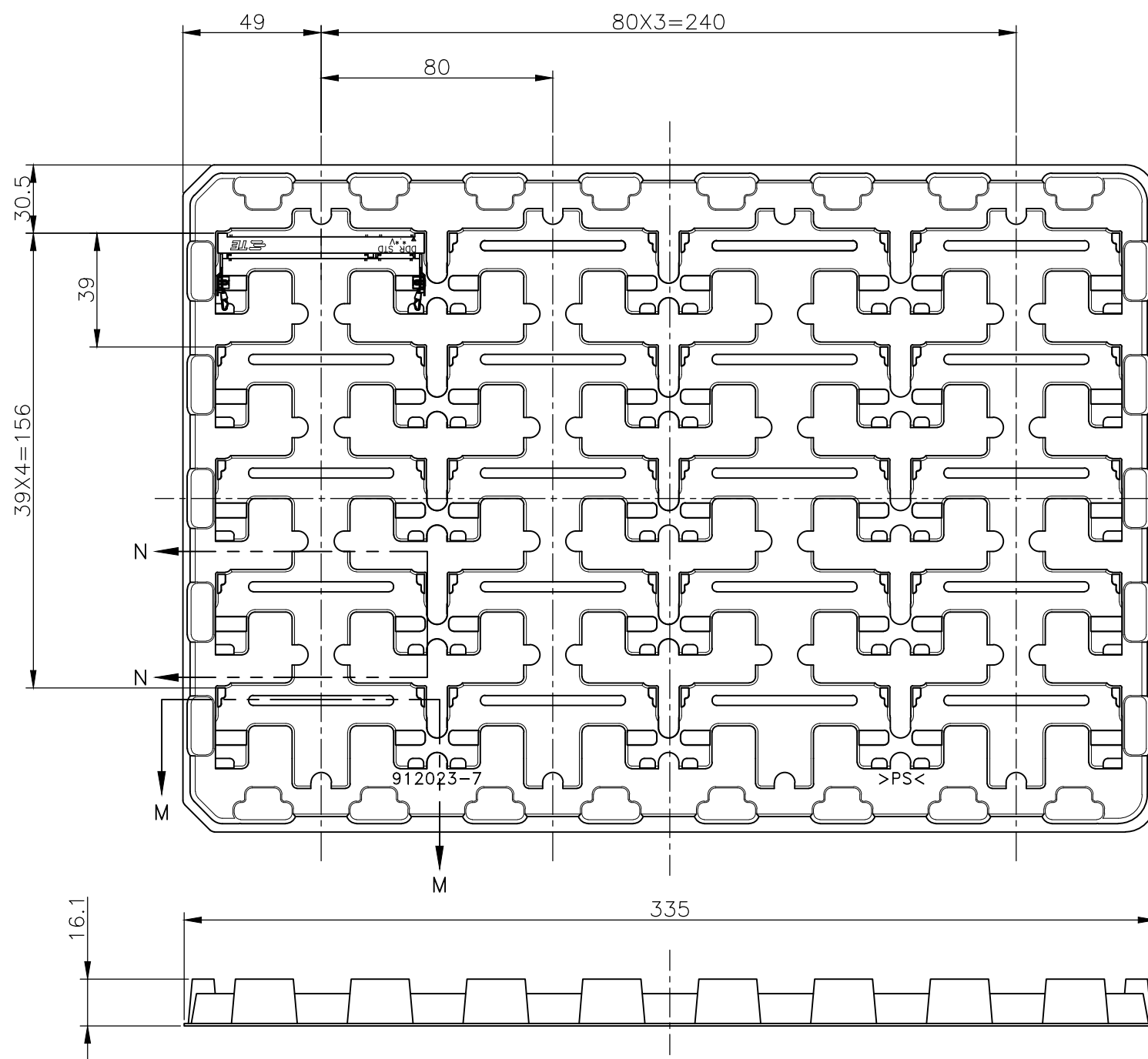
STE TE Connectivity Ltd.

NAME: DDR1 & DDR2 SODIMM SOCKET  
0.6mm PITCH 200POS  
6.5 HEIGHT STANDARD TYPE

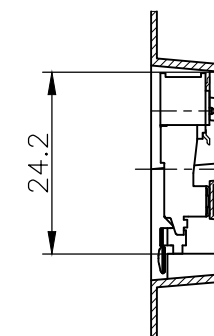
SIZE	CAGE CODE	DRAWING NO	RESTRICTED TO
A3	00779	C-1717468	

SCALE 2:1 SHEET 3 OF 4 REV E

P	LTR	DESCRIPTION	DATE	DWN	APVD
-	-	SEE SHEET 1	-	-	-



M-M  
SCALE 1:1  
(180DEG. ROTATE)



N-N  
SCALE 1:1

1. THE DIRECTION OF EACH CONNECTOR ON A TRAY IS REFERRED TO THIS DRAWING.
2. GENERAL TOLERANCE:  $\pm 0.5$

20EA/TRAY	1717468-4
20EA/TRAY	1717468-3
QTY	P/N

THIS DRAWING IS A CONTROLLED DOCUMENT.		DWN		TE Connectivity Ltd.	
DIMENSIONS: MM		CHK			
		APVD			
TOLERANCES UNLESS OTHERWISE SPECIFIED:		PRODUCT SPEC			
0 PLC $\pm$ 1 PLC $\pm$ 2 PLC $\pm$ 3 PLC $\pm$ 4 PLC $\pm$ ANGLES $\pm$		APPLICATION SPEC		NAME	
MATERIAL		WEIGHT		DDR1 & DDR2 SODIMM SOCKET	
		CUSTOMER DRAWING		0.6mm PITCH 200POS	
				6.5 HEIGHT STANDARD TYPE	
				SIZE	RESTRICTED TO
				A3	
				CAGE CODE	
				C-1717468	
				DRAWING NO	
				SCALE	REV
				1:2	E
				SHEET	
				4 OF 4	