



TE Internal #: 2-2172093-2  
 Standard Circular Connectors, Wire-to-Board, 3 Position, Sealable,  
 Signal, Panel Mount, Reverse Gender, Nickel, Zinc Alloy, A  
 Polarization Code

[View on TE.com >](#)

Connectors > Circular Connectors > Standard Circular Connectors



Connector System: **Wire-to-Board**

Number of Positions: **3**

Sealable: **Yes**

Contact Current Rating (Max): **3 A**

Circuit Application: **Signal**

## Features

### Product Type Features

Product Type	Connector Assembly
Connector System	Wire-to-Board
Sealable	Yes
Circular Connector Type	Plug
Shell Type	Metal

### Configuration Features

Number of Positions	3
Number of Power Positions	0
Number of Signal Positions	3
Contacts Preloaded	Yes

### Electrical Characteristics

EMI & RFI Protection & Suppression Type	Shielding
---	-----------

### Body Features

Shell Plating Material	Nickel
------------------------	--------



Shell Base Material	Zinc Alloy
---------------------	------------

Circular Connector Insulation Material Type	Polyamide
---	-----------

### Contact Features

Contact Current Rating (Max)	3 A
------------------------------	-----

Reverse Gender	Yes
----------------	-----

Contact Layout Arrangement	Circular
----------------------------	----------

Circular Connector Contact Type	Pin
---------------------------------	-----

### Mechanical Attachment

Connector Mounting Type	Panel Mount
-------------------------	-------------

Polarization Code	A
-------------------	---

Mating Alignment Type	Keyed
-----------------------	-------

Mating Retention	With
------------------	------

### Housing Features

Circular Connector Shell Size	12
-------------------------------	----

### Usage Conditions

IP Water Sealing Level	8
------------------------	---

IP Dust Sealing Level	6
-----------------------	---

Operating Temperature Range	-40 – 80 °C[-40 – 176 °F]
-----------------------------	---------------------------

### Operation/Application

Circuit Application	Signal
---------------------	--------

Shielded	Yes
----------	-----

### Product Compliance

[For compliance documentation, visit the product page on TE.com>](#)

EU RoHS Directive 2011/65/EU	Compliant with Exemptions
------------------------------	---------------------------

EU ELV Directive 2000/53/EC	Compliant
-----------------------------	-----------

China RoHS 2 Directive MIIT Order No 32, 2016	Restricted Materials Above Threshold
---	--------------------------------------

EU REACH Regulation (EC) No. 1907/2006	<p>Current ECHA Candidate List: JUNE 2023 (235)</p> <p>Candidate List Declared Against: JUNE 2023 (235)</p> <p>SVHC &gt; Threshold:</p> <p>Pb (4% in Component Part)</p>
--	--

#### Article Safe Usage Statements:

Do not eat, drink or smoke when using this product. Wash thoroughly after handling. Recycle if possible and dispose of the article by following all applicable governmental regulations relevant to your geographic location.



Halogen Content	Low Halogen - Br, Cl, F, I < 900 ppm per homogenous material. Also BFR/CFR/PVC Free
-----------------	---

Solder Process Capability	Not reviewed for solder process capability
---------------------------	--

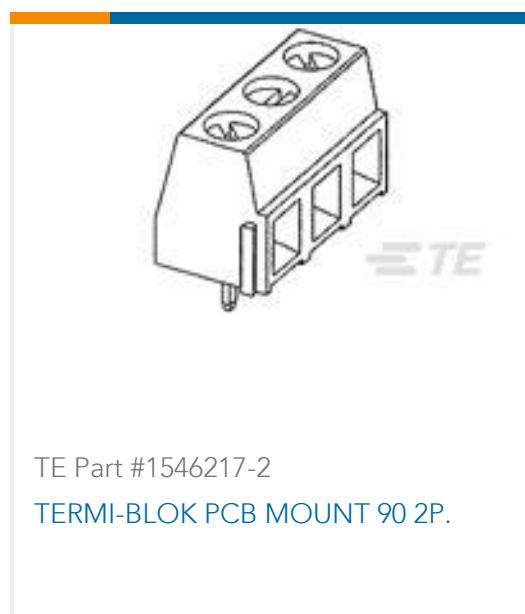
**Product Compliance Disclaimer**

This information is provided based on reasonable inquiry of our suppliers and represents our current actual knowledge based on the information they provided. This information is subject to change. The part numbers that TE has identified as EU RoHS compliant have a maximum concentration of 0.1% by weight in homogenous materials for lead, hexavalent chromium, mercury, PBB, PBDE, DBP, BBP, DEHP, DIBP, and 0.01% for cadmium, or qualify for an exemption to these limits as defined in the Annexes of Directive 2011/65/EU (RoHS2). Finished electrical and electronic equipment products will be CE marked as required by Directive 2011/65/EU. Components may not be CE marked. Additionally, the part numbers that TE has identified as EU ELV compliant have a maximum concentration of 0.1% by weight in homogenous materials for lead, hexavalent chromium, and mercury, and 0.01% for cadmium, or qualify for an exemption to these limits as defined in the Annexes of Directive 2000/53/EC (ELV). Regarding the REACH Regulation, the information TE provides on SVHC in articles for this part number is based on the latest European Chemicals Agency (ECHA) 'Guidance on requirements for substances in articles' posted at this URL: <https://echa.europa.eu/guidance-documents/guidance-on-reach>

## Compatible Parts



## Customers Also Bought





## Documents

### Product Drawings

[M8.MALE.PNLREAR.3POS.RA.PCBSTND.SHLD](#)

English

---

### CAD Files

[3D PDF](#)

3D

Customer View Model

[ENG\\_CVM\\_CVM\\_2-2172093-2\\_A.2d\\_dxf.zip](#)

English

Customer View Model

[ENG\\_CVM\\_CVM\\_2-2172093-2\\_A.3d\\_igs.zip](#)

English

Customer View Model

[ENG\\_CVM\\_CVM\\_2-2172093-2\\_A.3d\\_stp.zip](#)

English

By downloading the CAD file I accept and agree to the [Terms and Conditions](#) of use.

---

### Datasheets & Catalog Pages

[M8 / M12 Connector System Catalog](#)

English

[M8 / M12 Connector System Catalog](#)

Japanese

---

### Product Specifications

[Application Specification](#)

English