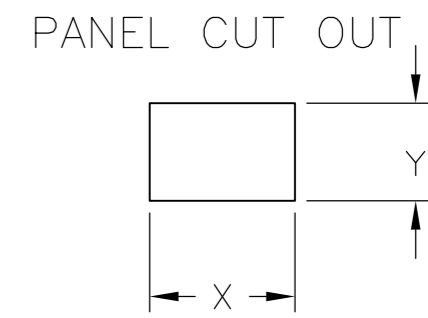
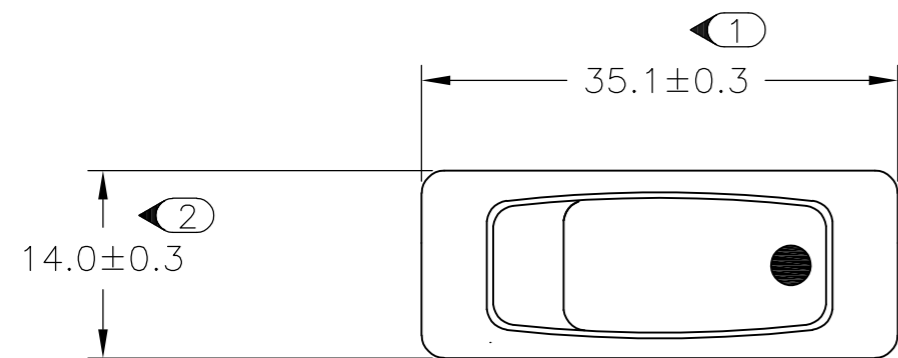
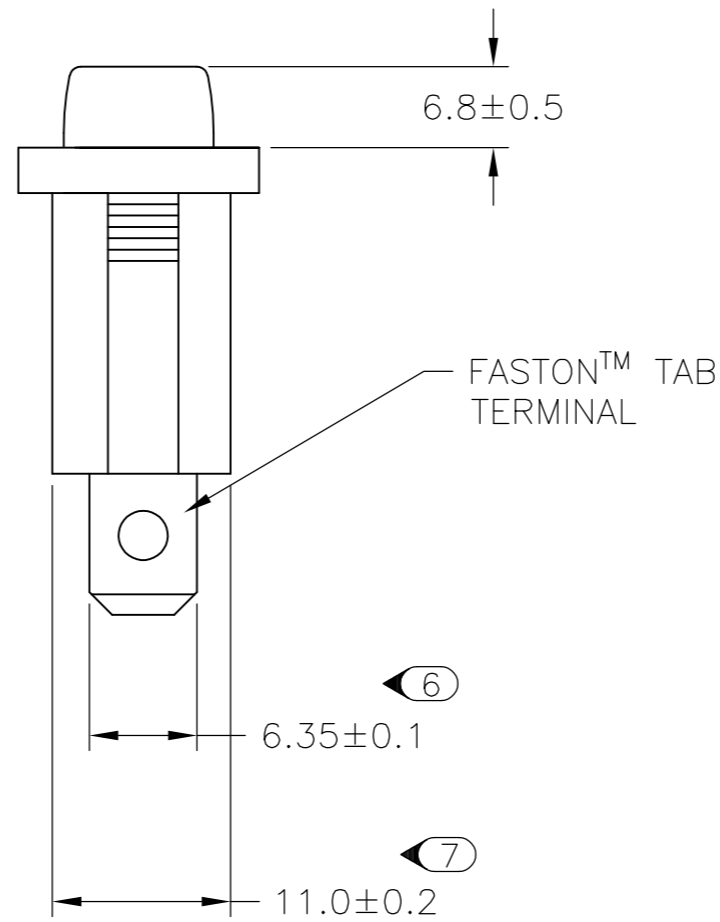
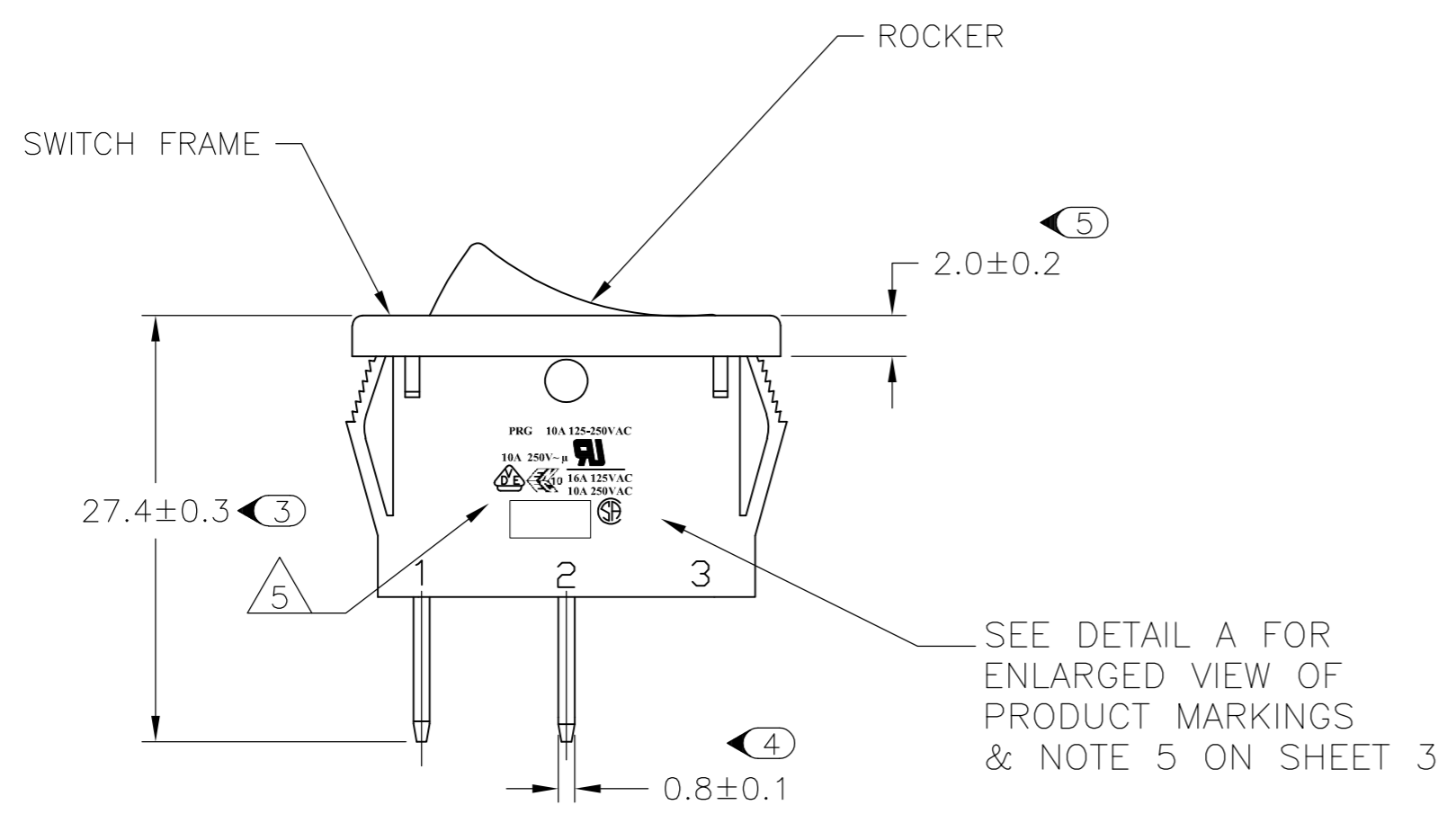


THIS DRAWING IS UNPUBLISHED. RELEASED FOR PUBLICATION 30/OCT ,2003.
 © COPYRIGHT 2003 BY TYCO ELECTRONICS CORPORATION. ALL RIGHTS RESERVED.

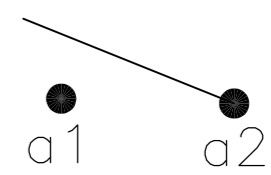
LOC	DIST	REVISIONS			
P	LTR	DESCRIPTION	DATE	DWN	APVD
E	B	REVISED PER ECO-10-025607	21DEC10	HMR	MW



2.00-3.00	30.20	11.20
1.25-2.00	30.20	11.20
0.75-1.25	30.20	11.20
PANEL THICKNESS	X	Y



CIRCUIT DIAGRAM



PRODUCT MARKING
DETAIL A

PRG 10A 125-250VAC

10A 250V~μ

16A 125VAC
10A 250VAC

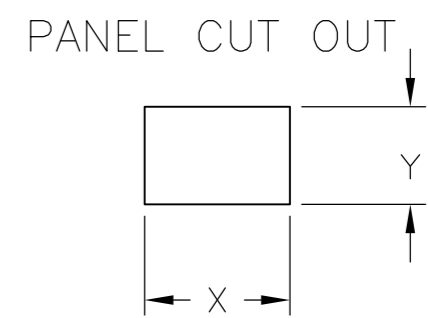
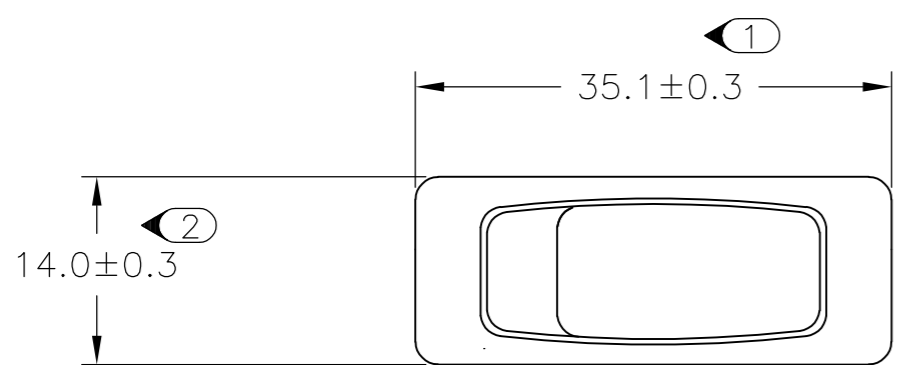
TYCO ELECTRONICS LOGO PER TEC-202-36

1634202-2 SHOWN ON-OFF

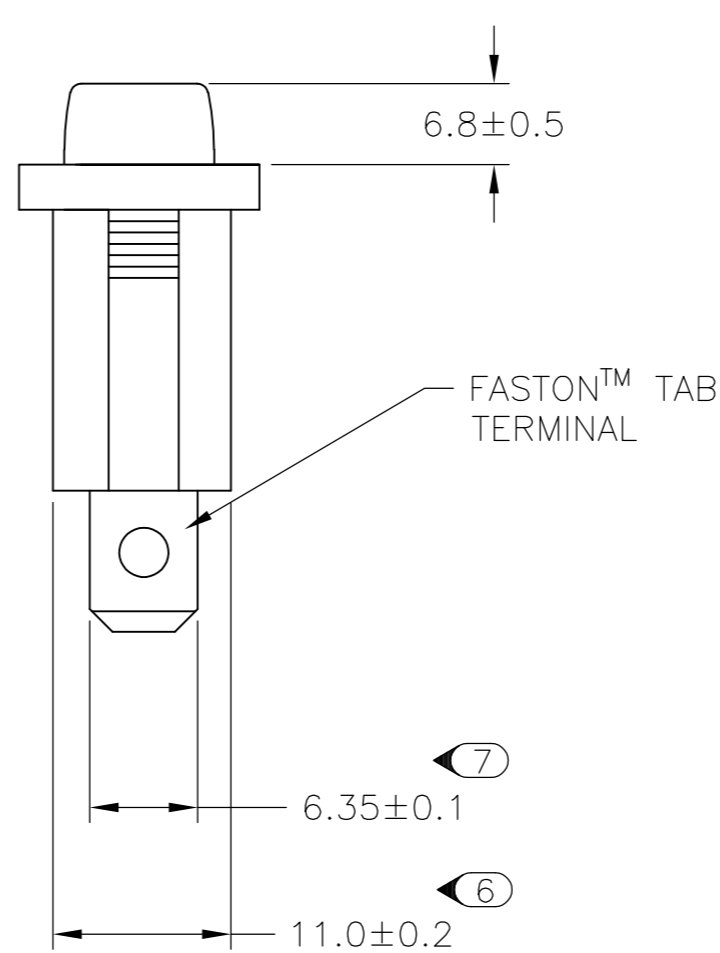
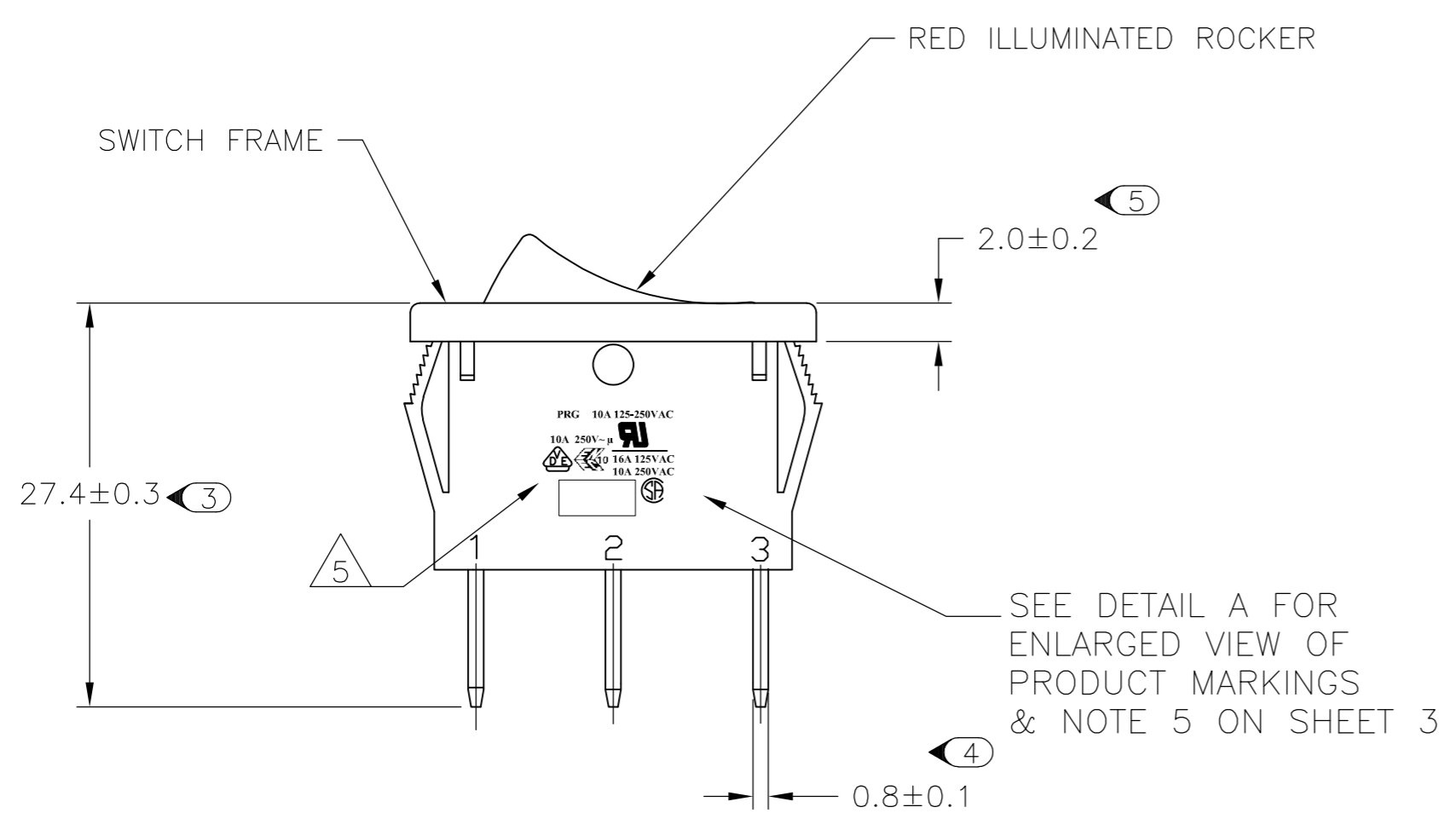
THIS DRAWING IS A CONTROLLED DOCUMENT.		DWN S.SHACKSON 04FEB2003	Tyco Electronics Corporation Harrisburg, PA 17057	
DIMENSIONS: MM		CHK H.KAUTZ 04FEB2003	NAME POWER ROCKER SWITCH, 30.2mm X 11.2mm PANEL CUT-OUT SIZE, SINGLE POLE, SINGLE THROW, NON-ILLUMINATED	
TOLERANCES UNLESS OTHERWISE SPECIFIED:		APVD H.KAUTZ 04FEB2003	SIZE A2	CAGE CODE 00779
0 PLC ± -		PRODUCT SPEC NOT APPLICABLE	DRAWING NO C=1634202	RESTRICTED TO -
1 PLC ± 0.5		APPLICATION SPEC NOT APPLICABLE	SCALE 3:1	SHEET 1 OF 3
2 PLC ±		WEIGHT -	REV E	
3 PLC ±		CUSTOMER DRAWING		
4 PLC ±				
ANGLES ± -				
FINISH				

THIS DRAWING IS UNPUBLISHED. RELEASED FOR PUBLICATION 30/OCT ,2003.
 © COPYRIGHT 2003 BY TYCO ELECTRONICS CORPORATION. ALL RIGHTS RESERVED.

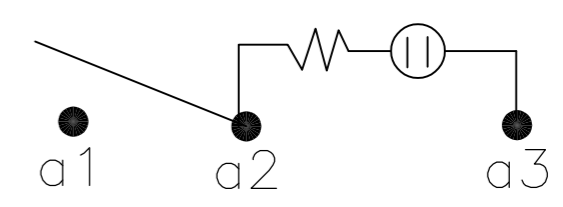
LOC	DIST	REVISIONS					
E	B	P	LTR	DESCRIPTION	DATE	DWN	APVD
		-		SEE SHEET 1		-	-



2.00-3.00	30.20	11.20
1.25-2.00	30.20	11.20
0.75-1.25	30.20	11.20
PANEL THICKNESS	X	Y



CIRCUIT DIAGRAM



PRODUCT MARKING

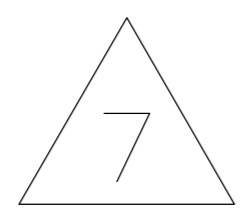
DETAIL A

PRG 10A 125-250VAC

10A 250V~μ

10 16A 125VAC
10A 250VAC

TYCO ELECTRONICS LOGO PER TEC-202-36



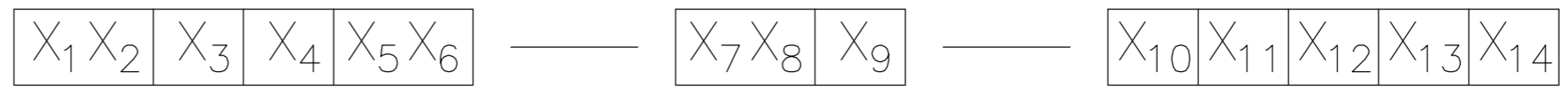
1634202-5 SHOWN ON-OFF (ILLUMINATED)

THIS DRAWING IS A CONTROLLED DOCUMENT.		DWN S.SHACKSON 04FEB2003	Tyco Electronics Corporation Harrisburg, PA 17057	
DIMENSIONS: MM	TOLERANCES UNLESS OTHERWISE SPECIFIED:	CHK H.KAUTZ 04FEB2003	NAME POWER ROCKER SWITCH, 30.2mm X 11.2mm	
	0 PLC ± - 1 PLC ± 0.5 2 PLC ± - 3 PLC ± - 4 PLC ± - ANGLES ± -	APVD H.KAUTZ 04FEB2003	PANEL CUT-OUT SIZE, SINGLE POLE, SINGLE THROW, NON-ILLUMINATED	
MATERIAL	FINISH	PRODUCT SPEC NOT APPLICABLE	SIZE A2	RESTRICTED TO -
		APPLICATION SPEC NOT APPLICABLE	CAGE CODE 00779	DRAWING NO C=1634202
		WEIGHT -	SCALE 3:1	SHEET 2 OF 3
		CUSTOMER DRAWING		REV E

THIS DRAWING IS UNPUBLISHED. RELEASED FOR PUBLICATION 30/OCT ,2003.
 © COPYRIGHT 2003 BY TYCO ELECTRONICS CORPORATION. ALL RIGHTS RESERVED.

LOC	DIST	REVISIONS			
P	LTR	DESCRIPTION	DATE	DWN	APVD
-	-	SEE SHEET 1	-	-	-

ALCOSWITCH PART NUMBER

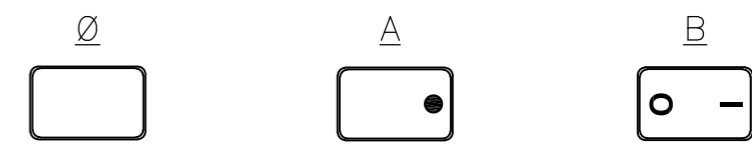


- 1 MATERIALS:
HOUSING FRAME: NYLON 66.
ACTUATOR: NYLON 66/ PC(ILLUMINATED)
TERMINALS C1100R-1/2H WITH SILVER PLATED CONTACTS AgALLOY
- 2 FINISH:
TERMINAL, ACTIVE CONTACTOR: 1.0µm [.000039] SILVER
PLUNGER: 3.0mm[.000118] NICKEL
- 3 ELECTRICAL SPECIFICATIONS:
CONTACT RESISTANCE : 50m ohm Max
DIELECTRIC STRENGTH : AC 1500V, 1 MINUTE
OPERATION TEMPERATURE: -20°C~85°C
INSULATION R: DC 500V 100M ohm MIN
- 4 CURRENT AND VOLTAGE 10A@125VAC/10A@250VAC
- 5 ELECTRICAL RATINGS, APPROVED AGENCY LOGOS, TE LOGO PER TEC-202-36 APPROXIMATELY AS SHOWN.
(FOR FULL DETAIL SEE INDIVIDUAL DRAWING)
- 6 ON-OFF, WITH OPAQUE, SINGLE-COLOR ROCKER BUTTON.
- 7 ON-OFF, WITH TRANSPARENT, LAMP-ILLUMINATED ROCKER BUTTON.
- 8 REFER TO QIP DIMENSIONAL REPORT
- 9 COMPONENT RECOGNIZED TO EUROPEAN STANDARDS (ENEC, PENDING VDE). MARKS LICENSE No. 40006757

SWITCH TYPE: X1X2 = PR - POWER ROCKER
 NOMINAL PANEL CUT OUT SIZE: X3 = G - 30.2X11.2 [.1.189x.441]
 NUMBER OF POLES: X4 = S - SINGLE
 SWITCH FUNCTION: X5X6 = A1 - 6
B1 - 6
 CURRENT RATING: X7X8 = 16 - 4
 TERMINAL TYPE: X9 = F - FASTON™ TAB
 FRAME COLOR: X10 = B - BLACK
W - WHITE
 ROCKER COLOR: X11 = B - BLACK
G - GREEN
R - RED
Y - YELLOW

SECONDARY ROCKER COLOR: X12 = Ø - NOT APPLICABLE
B - BLACK
G - GREEN
R - RED
W - WHITE

LEGEND TEXT PATTERN: X13 =



LEGEND TEXT COLOR: X14 = Ø - NOT APPLICABLE
G - GREEN
R - RED
B - BLACK
W - WHITE

2	FRGSB1-16F-BG000	1634202-6
2	FRGSB1-16F-BR000	1634202-5
1	FRGSA 1-16F-BR000	1634202-4
1	FRGSA 1-16F-BB0BW	1634202-3
1	FRGSA 1-16F-BB0AW	1634202-2
1	FRGSA 1-16F-BB000	1634202-1
SHEET REF	ALCO SWITCH PART NUMBER	TE PART NUMBER

THIS DRAWING IS A CONTROLLED DOCUMENT.		DWN S.SHACKSON 04FEB2003	Tyco Electronics Corporation Harrisburg, PA 17057	
DIMENSIONS: MM		CHK H.KAUTZ 04FEB2003	NAME POWER ROCKER SWITCH, 30.2mm X 22.2mm	
TOLERANCES UNLESS OTHERWISE SPECIFIED:		APVD H.KAUTZ 04FEB2003	PRODUCT SPEC	
0 PLC ± -		NOT APPLICABLE		
1 PLC ± 0.30[.012]		APPLICATION SPEC		
2 PLC ± 0.05[.002]		NOT APPLICABLE		
3 PLC ± -		SIZE A2		
4 PLC ± -		CAGE CODE 00779		
ANGLES ± -		DRAWING NO C=1634202		
FINISH		RESTRICTED TO -		
MATERIAL		WEIGHT -		
CUSTOMER DRAWING		SCALE 3:1 SHEET 3 OF 3 REV E		