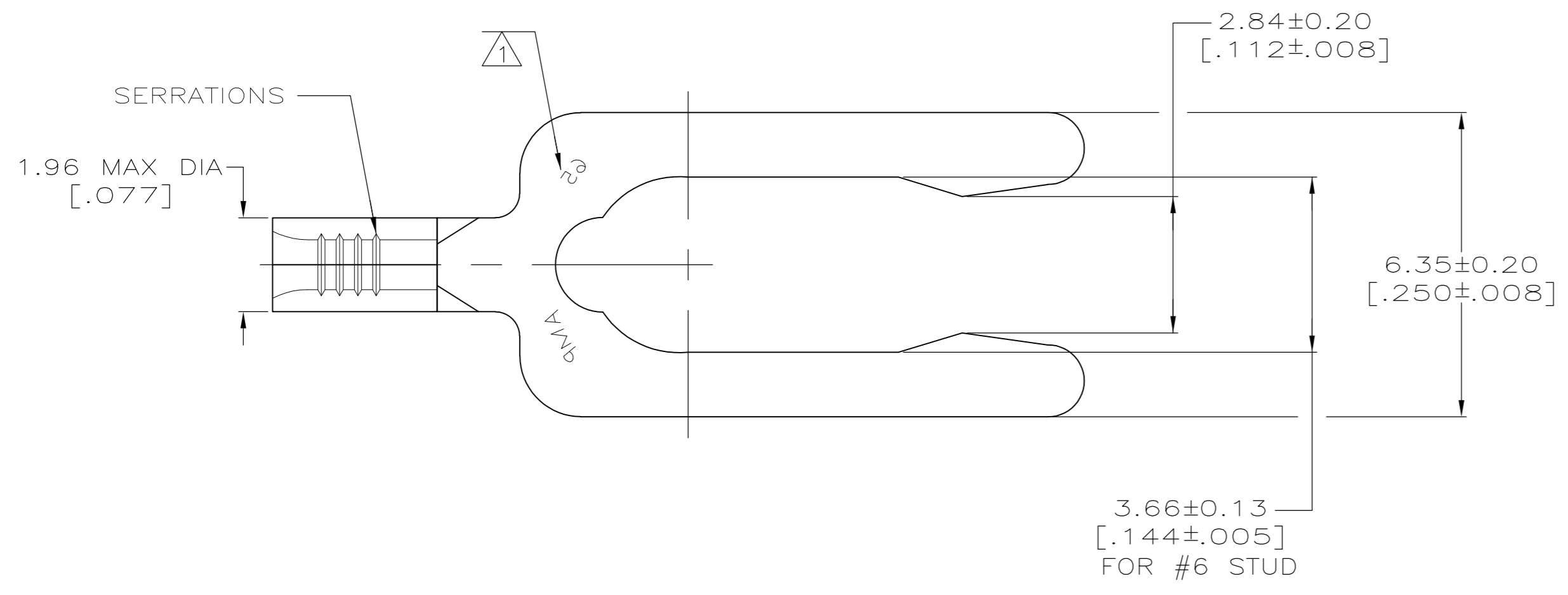


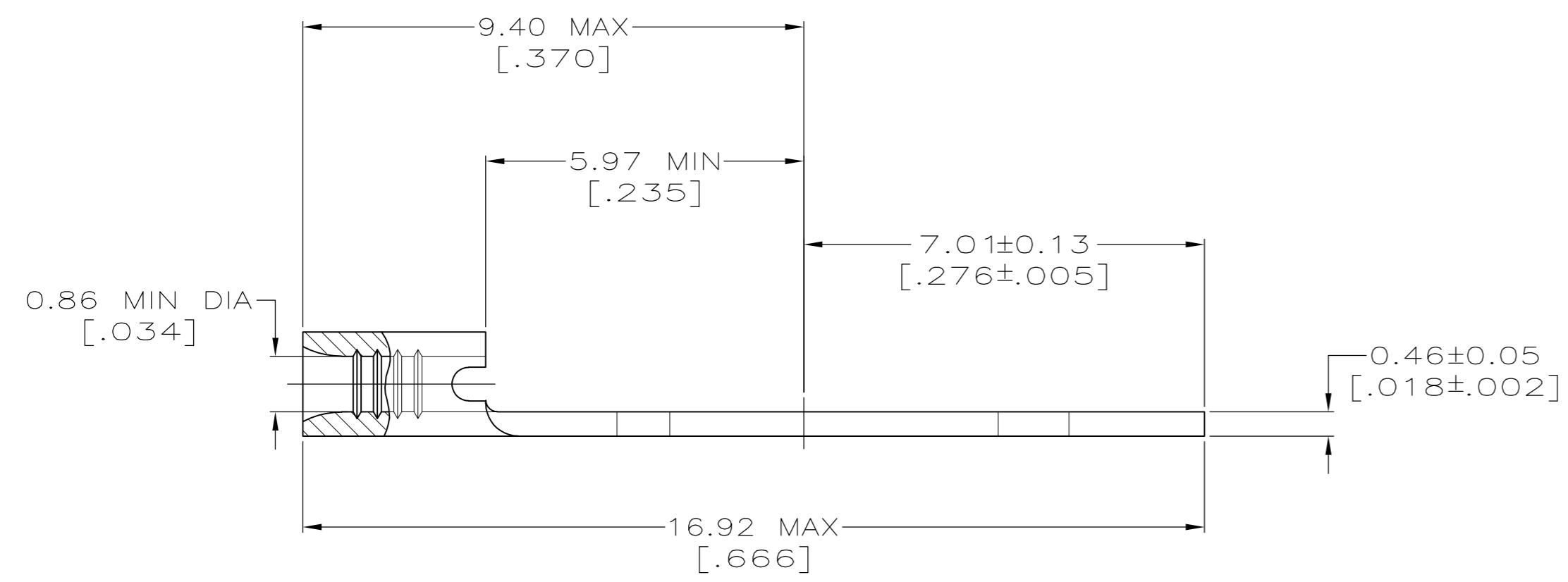
THIS DRAWING IS UNPUBLISHED. RELEASED FOR PUBLICATION
 © COPYRIGHT BY TYCO ELECTRONICS CORPORATION. ALL INTERNATIONAL RIGHTS RESERVED.

LOC	DIST	REVISIONS					
		P	LTR	DESCRIPTION	DATE	DWN	APVD
G	14	A1		REV PER ECR 10-016092	09AUG10	JR	TM



AMP WIRE RANGE	Listed FILE E13288	LR7189 Certified
26-22 AWG STRANDED	NOT LISTED	NOT CERTIFIED

- STAMP 6S AMP APPROX AS SHOWN
6S INDICATES STUD SIZE
- PHOSPHOR BRONZE PER ASTM B103, ANNEALED



52734-1
 PART NO.

CUSTOMER SERVICE SYSTEMS		MAX RECOMMENDED OPERATING TEMPERATURE: 170°C MAX		THIS DRAWING IS A CONTROLLED DOCUMENT.		DWN TA BRINKMAN 2-15-93		Tyco Electronics Corporation Harrisburg, PA 17105-3608	
FOR ADDITIONAL PRODUCT INFORMATION OR COPIES OF DRAWINGS AND TECHNICAL DOCUMENTS		PRODUCT INFORMATION CENTER 1-800-522-6752		DIMENSIONS: MM [INCHES]		CHK DA PATTERSON 2-15-93		NAME	
FOR APPLICATION		TOOLING ASSISTANCE CENTER		TOLERANCES UNLESS OTHERWISE SPECIFIED:		APVD JL MECKLEY 2-15-93		TERMINAL, LONG SPRING SPADE, BUDGET	
TOOLING INFORMATION		1-800-722-1111		VOLTAGE RATING: N/A		PRODUCT SPEC		APPLICATION SPEC	
FOR ORDER ENTRY		1-800-526-5142		CIRCULAR MIL AREA: 0.10-0.41mm² [202-810] STRANDED		MATERIAL		SIZE CAGE CODE DRAWING NO RESTRICTED TO	
THIS DRAWING IS A CONTROLLED DOCUMENT FOR AMP INCORPORATED. IT IS SUBJECT TO CHANGE AND THE CONTROLLING ENGINEERING ORGANIZATION SHOULD BE CONTACTED FOR THE LATEST REVISION.				FINISH		WEIGHT		SCALE SHEET REV	
				-		TIN PLATE PER ASTM B545		A2 00779 C=52734 10:1 1 of 1 A1	
						CUSTOMER DRAWING			

52734