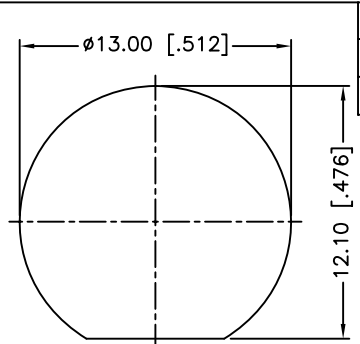
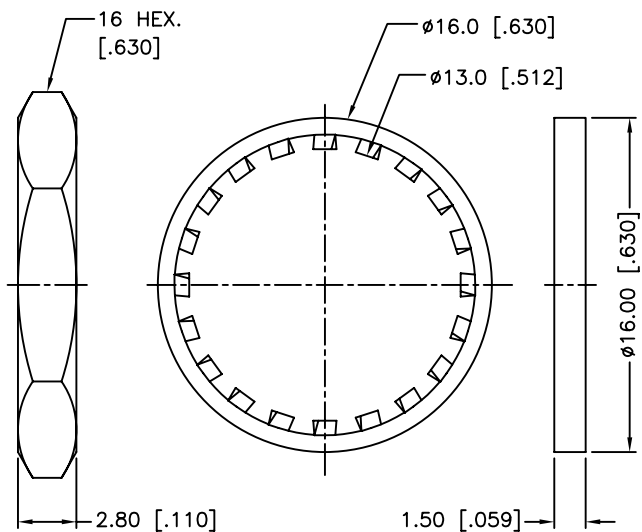


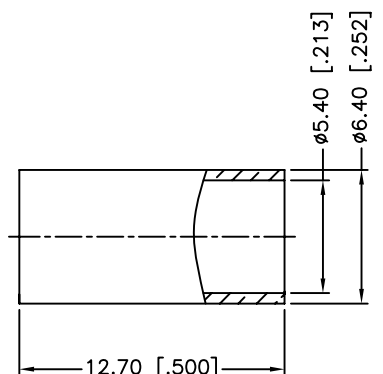
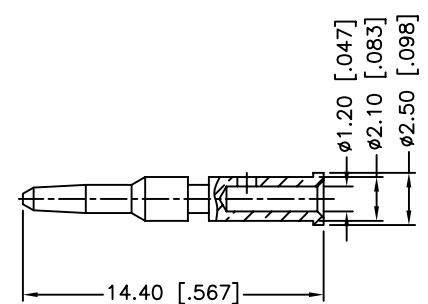
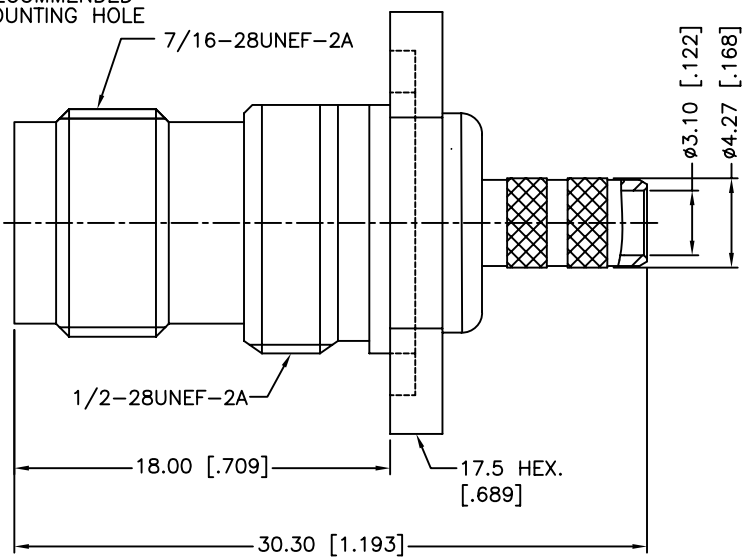
RECOMMENDED
CABLE STRIPPING DIM'S



REV.	DATE	ECR NO.	DESCRIPTION
NC	06/10/04	XXXXXX	INITIAL RELEASE
A	06/13/13	2480	UPDATE DRAWING FORMAT,ADD ELECTRICAL AND MECHANICAL NOTES



RECOMMENDED
MOUNTING HOLE



1. IMPEDANCE: 50 OHM
2. FREQUENCY RANGE: 0-11 GHZ
3. DIELECTRIC WITHSTANDING VOLTAGE: 1500 VRMS, MIN.
4. DURABILITY: 500 CYCLES MIN.
5. TEMPERATURE RANGE: -65°C TO +165°C
6. CRIMPED FERRULE
HEX. CRIMP SIZE .213"
7. CRIMPED CONTACT PIN
HEX. CRIMP SIZE .068"

QTY	DESCRIPTION	MATERIAL	FINISH	QTY
3	FERRULE	BRASS	NICKEL	1
2	CONTACT PIN	BRASS	GOLD	1
1	HEX NUT	BRASS	NICKEL	1
3	LOCK WASHER	BRASS	NICKEL	1
2	GASKET	SILICONE RUBBER	NATURAL	1
1	BARREL	BRASS	NICKEL	1
3	INSULATOR	PTFE	NATURAL	1
2	BODY	BRASS	NICKEL	1
1	HOUSING	BRASS	NICKEL	1

UNLESS OTHERWISE SPECIFIED DIMENSIONS ARE IN MILLIMETERS. DIMENSIONS IN [] ARE IN INCHES AND FOR CUSTOMER REFERENCE ONLY.
UNLESS OTHERWISE SPECIFIED
TOLERANCES FOR MILLIMETERS ARE:
<0.5 ± 0.05mm
0.5 - 6mm ± 0.10mm
6 - 30mm ± 0.20mm
30 - 120mm ± 0.30mm
ANGLES ± 1°
UNLESS OTHERWISE SPECIFIED
TOLERANCES FOR INCHES ARE:
<.020 ± 0.002"
.020 - .236 = ± 0.004"
.236 - 1.180 = ± 0.007"
1.180 - 4.724 = ± 0.012"
ANGLES ± 1°
DO NOT SCALE DRAWING

APPROVALS	DATE
DRAWN M.ZHANG	06/13/13
CHECKED	
ISSUED	
SHEET 1 OF 1	
CAD FILE C:/CONNEX/122413RP.DWG	

Amphenol Connex

PART DESCRIPTION
**TNC REVERSE POLARITY BULKHEAD CRIMP JACK
(FOR LMR-200 CABLE)**

PART NO.
122413RP

DWG. NO. 122413RP.DWG	REV. A	SIZE A	SCALE NA
-----------------------	--------	--------	----------