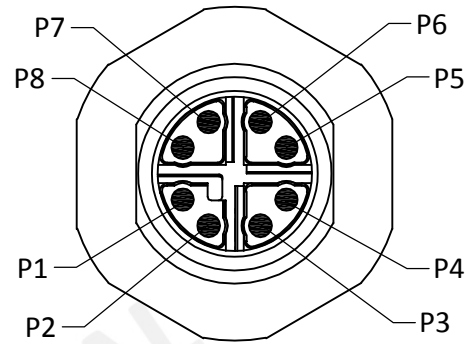
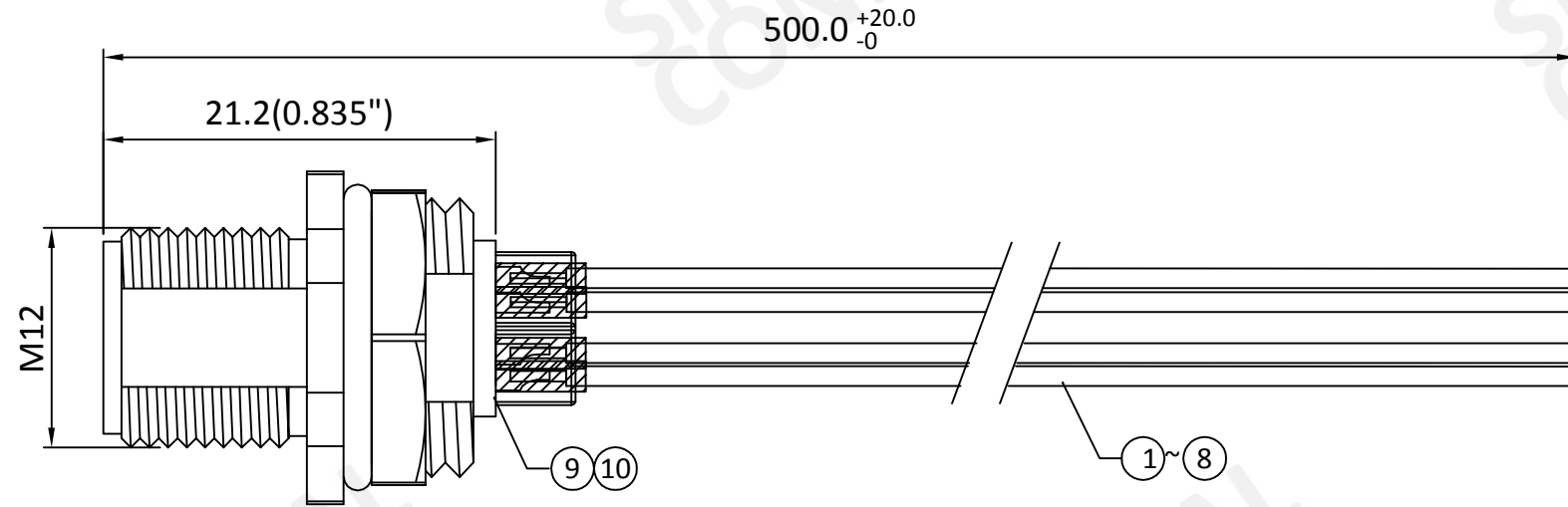


REV.	ECN NO.	DATE	BY	DESCRIPTION
01		Sep/03/2020	Aine Li	RELEASED



CONN 1



WIRE RUN LIST		
AWG	CONN 1	COLOR
24	1	BROWN
	2	WHITE
	3	BLUE
	4	BLACK
	5	GRAY
	6	GREEN
	7	YELLOW
	8	ORANGE

ITEM	QTY	DESCRIPTION
10.	A/R	HEAT SHRINK TUBE,UL224,1Q,BLACK,ID=1.3,T=0.2(A534000000SD)
9.	1	M12 CONN., X-CODE, MALE, 8P(A30140219001SD)
8.	A/R	HOOK-UP WIRE, UL1213 #24, WHITE, OD=0.98, PTFE (A10902921001SD)
7.	A/R	HOOK-UP WIRE, UL1213 #24, BLACK, OD=0.98, PTFE (A10902920001SD)
6.	A/R	HOOK-UP WIRE, UL1213 #24, GREEN, OD=0.98, PTFE (A10902916001SD)
5.	A/R	HOOK-UP WIRE, UL1213 #24, YELLOW, OD=0.98, PTFE (A10902917001SD)
4.	A/R	HOOK-UP WIRE, UL1213 #24, ORANGE, OD=0.98, PTFE (A10902918001SD)
3.	A/R	HOOK-UP WIRE, UL1213 #24, BROWN, OD=0.98, PTFE (A10902919001SD)
2.	A/R	HOOK-UP WIRE, UL1213 #24, GRAY, OD=0.98, PTFE (A10902913001SD)
1.	A/R	HOOK-UP WIRE, UL1213 #24, BLUE, OD=0.98, PTFE (A10902912001SD)

NOTES:

- TESTING SPEC.:
COND. RESISTANCE: 3Ω MAX.
INSUL. RESISTANCE: 10MΩ MIN.
TESTING VOLTAGE: 200V DC
- IP67 WHEN MATED.
- FOLLOW IPC620 CLASS II STANDARD TO ASSEMBLY AND INSPECTION.
- RoHS COMPLIANCE.

THIS DRAWING CONTAINS CONFIDENTIAL INFORMATION AND IS THE PROPERTY OF SINBON ELECTRONICS CO., LTD. IT MAY NOT BE USED OR ITS CONTENTS COPIED OR DISCLOSED TO A THIRD PARTY WITHOUT PRIOR WRITTEN CONSENT AND IS TO BE RETURNED PROMPTLY UPON REQUEST BY SINBON ELECTRONICS CO., LTD.

CUSTOMER : DigiKey		REV. : N/A	
CUSTOMER P/N : N/A		DESCRIPTION : 8P male rear, X code IP67, 500mm	
UNLESS OTHERWISE SPECIFIED TOLERANCE :		PART NUMBER : M12X-08PM0-UL24N05	
1 ~ 10 : ±1	11 ~ 30 : ±2	31 ~ 50 : ±3	51 ~ 200 : ±5
201 ~ 400 : ±7	> 401 : ±10	SCALE : NONE	
ANGLES : ±1°		SIZE : A3	UNIT : mm
DRA. : Aine Li CHK. : Kevin Qiu APR. : Kevin Qiu		REV. : N/A Sep/03/2020 Sep/03/2020 Sep/03/2020	SHEET : 1 of 1