

6

5

4

3

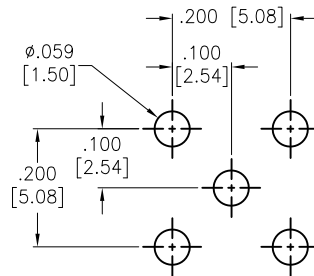
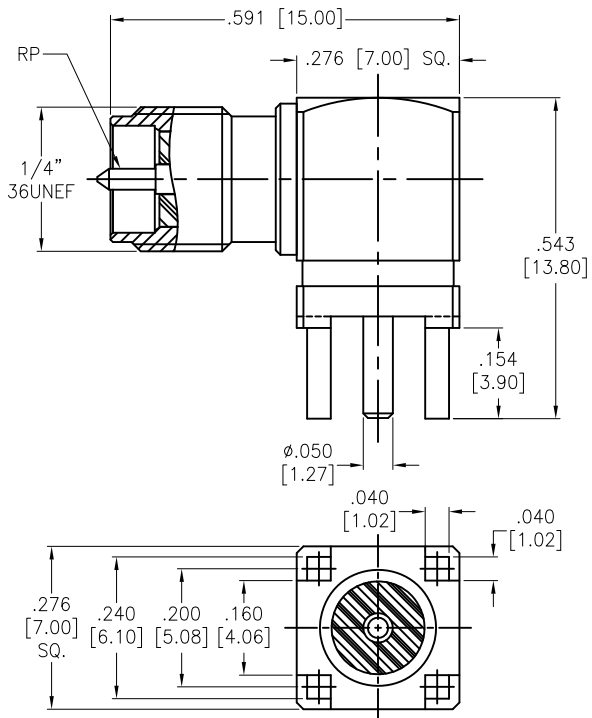
2

1

APPROVED: _____

DATE: _____ TITLE: _____

Rev	AWO #	Description	Date	Appr
-		RELEASED	11/2/17	



CENTER PIN	BRASS	GOLD
INSULATOR	TEFLON	N/A
BODY	BRASS	GOLD
DESCRIPTION	MATERIAL	FINISH

SPECIFICATIONS:

Electrical:
Nominal Impedance: 50 ohms
Environmental:
Lead free, RoHS compliant.



UNLESS OTHERWISE SPECIFIED
ALL DIMENSIONS ARE INCHES [MM]
TOLERANCES: EXCEPT AS NOTED
INCHES HOLES

.X ± .10	∅X ± .10
.XX ± .020	∅XX ± .015
.XXX ± .015	∅XXX ± .010

APPROVALS		DATE
DRAWN	AY	11/2/17
CHECKED	NC	11/2/17
APPROVED		

ADAM TECH

909 Rahway Avenue, Union, NJ 07083
Phone: 908-687-5000 Fax: 908-687-5710

TITLE
RF CONNECTOR, SMA PCB MOUNT JACK, 50 OHM
REVERSE POLARITY MALE PIN, GOLD PLATED

SIZE	PART NO.	REV.
X	RF2-03N-T-00-50-G-RP	-
REF:	S00291T	SCALE: NTS
		SHEET 1 OF 1

6

5

4

3

2

1