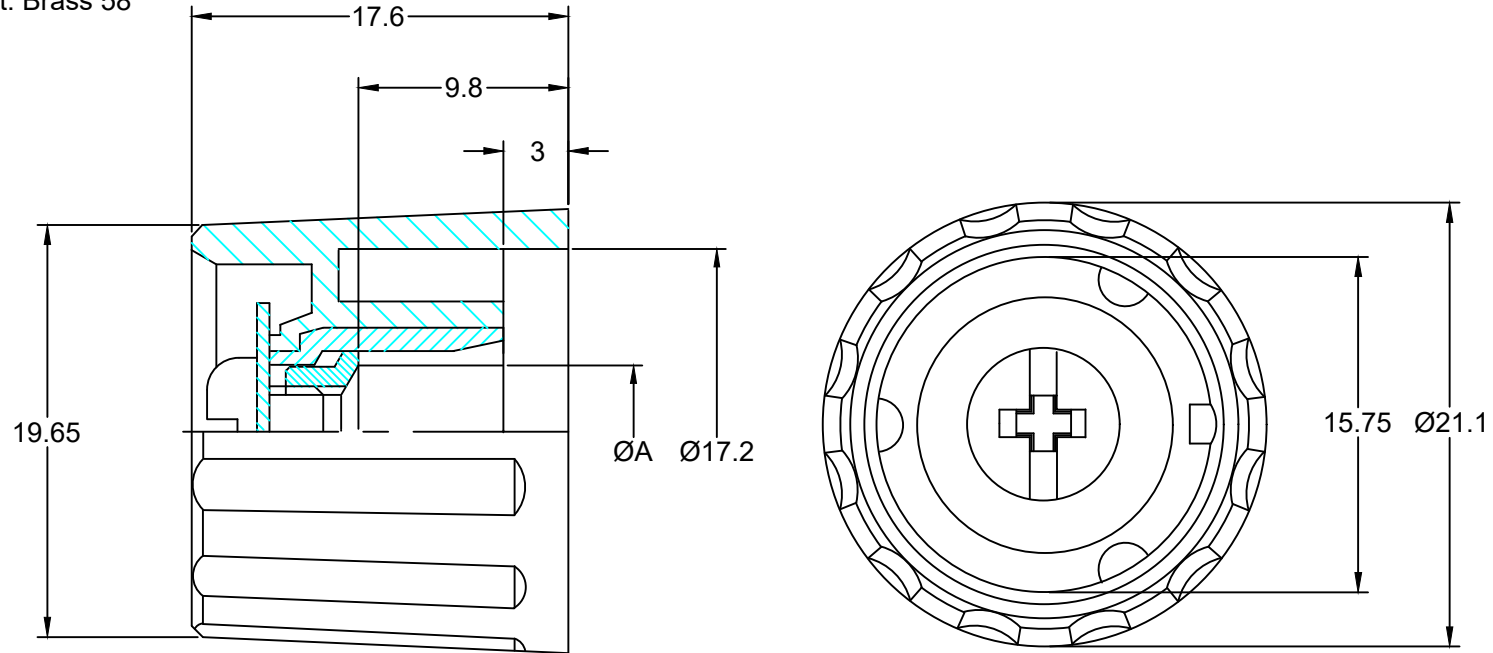


MATERIAL AND FINISH  
 Knob: Polyamide, Matte Finish  
 Collet, Sleeve & nut: Brass 58

RoHS  
 COMPLIANT



ORDERING CODE:

26-21-XX X  
 1 2

1) SHAFT DIAMETER (A)

- 30 = 3mm
- 31 = 1/8"
- 40 = 4mm
- 60 = 6mm
- 61 = 1/4"

2) COLOR (SEE CHART)

P/N	COLOR
26-21-XX1	LIGHT GRAY
26-21-XX2	GRAY
26-21-XX3	BLACK
26-21-XX4	RED

TOLERANCE UNLESS OTHERWISE SPECIFIED	
X	± 1
X.X	± 0.4
X.XX	± 0.13

DRAWN BY	DF	DATE:	4/25/05
CHECK BY		DATE:	
APPR BY		DATE:	

**Power Dynamics, Inc.**

Phone: 973 560-0019 Whippany, New Jersey Fax: 973 560-0076

PART: STANDARD KNOB; MATTE FINISH  
 21mm KNOB DIAMETER

PART #: 26-21-XXX		SHEET 1 of 1
SIZE: A	ALL DIMENSIONS FOR REFERENCE ONLY DIMENSIONS ARE IN MILLIMETERS	REV:
SCALE: NTS		

REVISIONS	CHANGE	CHK	CHK	APPR
REV	DATE			