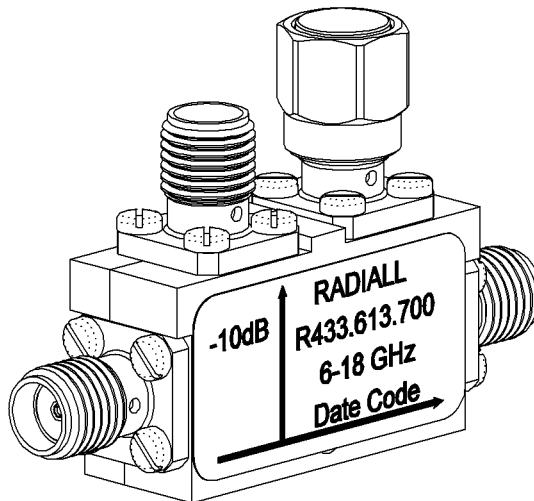
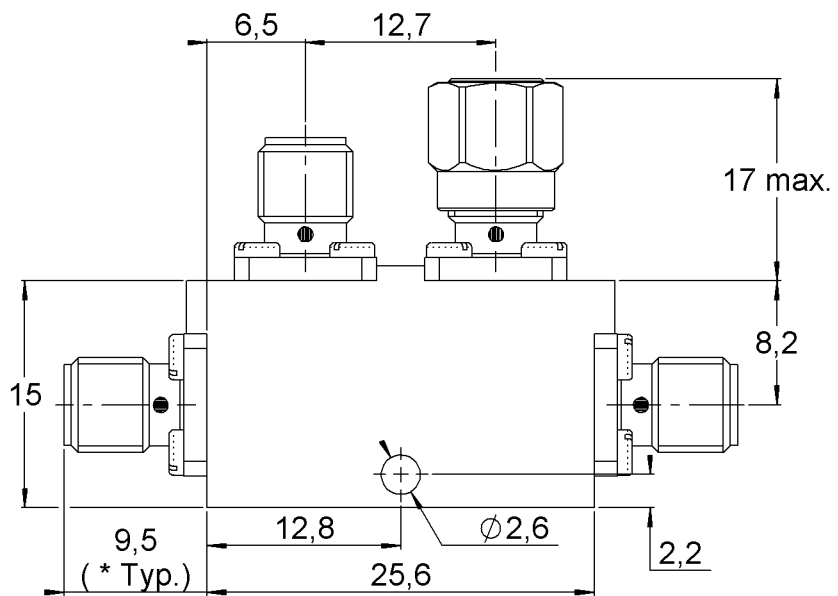
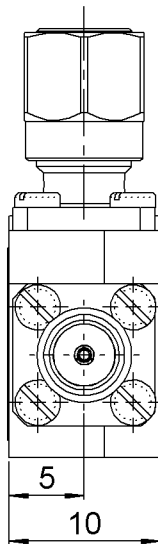


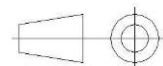
PAGE 1/2	ISSUE 09-12-19A	SERIES <b>COUPLER</b>	PART NUMBER <b>R433613700</b>
----------	-----------------	--------------------------	-------------------------------

Scale 2 : 1



All dimensions are in mm. Tolerances according ISO 2768 m-H

Weight Specification **15,4000** g



PAGE 2/2	ISSUE <b>09-12-19A</b>	SERIES <b>COUPLER</b>	PART NUMBER <b>R433613700</b>
----------	------------------------	--------------------------	-------------------------------

### **ELECTRICAL CHARACTERISTICS**

Frequency operating range :	6 – 18 GHz
Impedance :	50 Ω
VSWR : - Main Line	1.40 max.
- Coupled Line	1.40 max.
Nominal Coupling :	10 dB
Coupling Precision :	± 1 dB
Directivity :	16 dB mini
Insertion loss :	1.1 dB max.
Frequency Sensitivity :	± 0.5 dB
Average Power at 25°C	50W
Peak Power at 25°C	3000W

### **MECHANICAL CHARACTERISTICS**

Connector type :	SMA female per MIL-C 39012
Coaxial Termination :	SMA, 50 Ω, 1W

### **ENVIRONMENTAL CHARACTERISTICS**

Operating temperature :	-40°C / +100°C
Storage temperature :	-40°C / +100°C