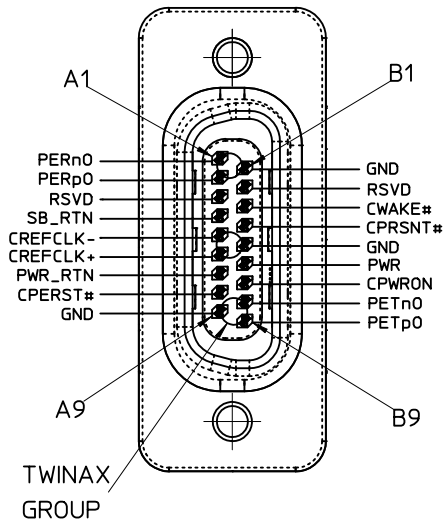
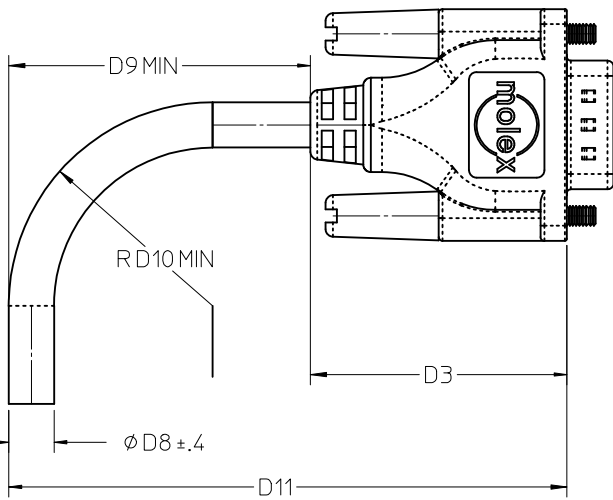


MATERIAL NUMBER	DESCRIPTION	GAUGE	LENGTH(M)	TOL.
745760009	1x PCIe CABLE ASSEMBLY	28	0.30M	±0.025
745760008	1X PCIe CABLE ASSEMBLY	28	0.18M	±0.025
745760000	1X PCIe CABLE ASSEMBLY	28	0.5M	±0.025
745760001	1X PCIe CABLE ASSEMBLY	28	1M	±0.050
745760002	1X PCIe CABLE ASSEMBLY	28	2M	±0.100
745760003	1X PCIe CABLE ASSEMBLY	28	3M	±0.100
745760004	1X PCIe CABLE ASSEMBLY	28	4M	±0.100
745760005	1X PCIe CABLE ASSEMBLY	26	5M	±0.150
745760006	1X PCIe CABLE ASSEMBLY	26	6M	±0.150
745760007	1X PCIe CABLE ASSEMBLY	24	7M	±0.150

- NOTES:
- INNER MOLDED WITH 887800008.
OUTER MOLED WITH BLACK 887800019
 - THIS PRODUCT MEETS THE RESTRICTION OF HAZARDOUS SUBSTANCES IN ELECTRICAL AND ELECTRONIC EQUIPMENT (RoHS) DIRECTIVE (2002/95/EC).
 - WW/YY DATE CODE:
WW-WEEK NUMBER
YY-LAST TWO NUMBER OF THE YEAR
 - THE SHARP OF PRODUCTION FOR REFER TO.
 - THE MOLD SHARP JUST FOR REFER TO.

ADD 745760008/9 EC NO: CPG2012-1684 DRWN:ZYU 2012/05/31 CHKD:SALLY CUI 2012/05/31 APPR:CLAN01 2012/05/31	QUALITY SYMBOLS $\nabla_F=0$ $\nabla_E=0$ $\nabla_P=0$	GENERAL TOLERANCES (UNLESS SPECIFIED) <table border="1"> <tr> <td></td> <td>mm</td> <td>INCH</td> </tr> <tr> <td>4 PLACES</td> <td>±---</td> <td>±---</td> </tr> <tr> <td>3 PLACES</td> <td>±---</td> <td>±.020</td> </tr> <tr> <td>2 PLACES</td> <td>±0.5</td> <td>±---</td> </tr> <tr> <td>1 PLACE</td> <td>±---</td> <td>±---</td> </tr> <tr> <td>0 PLACE</td> <td>±---</td> <td>±---</td> </tr> </table>		mm	INCH	4 PLACES	±---	±---	3 PLACES	±---	±.020	2 PLACES	±0.5	±---	1 PLACE	±---	±---	0 PLACE	±---	±---	DIMENSION STYLE MM ONLY DRAWN BY: K.PHILLIPS CHECKED BY: T.HALL APPROVED BY: D.DOYE DATE: 2005/12/21 DATE: 2005/12/21 DATE: 2005/12/21	SCALE --- DESIGN UNITS METRIC THIRD ANGLE PROJECTION	TITLE 1X PCIe CABLE ASSEMBLY molex DOCUMENT NO. SD-74576-000 SHEET NO. 1 OF 2
		mm	INCH																				
	4 PLACES	±---	±---																				
	3 PLACES	±---	±.020																				
2 PLACES	±0.5	±---																					
1 PLACE	±---	±---																					
0 PLACE	±---	±---																					
DRAFT WHERE APPLICABLE MUST REMAIN WITHIN DIMENSIONS	ANGULAR ± 1°	SEE CHART	THIS DRAWING CONTAINS INFORMATION THAT IS PROPRIETARY TO MOLEX INCORPORATED AND SHOULD NOT BE USED WITHOUT WRITTEN PERMISSION																				
REV	DESCRIPTION	MATERIAL NO.	SIZE A3																				
G	REV	DESCRIPTION	MATERIAL NO.																				



SIGNAL DESC	PIN#		PIN#	SIGNAL DESC
PERn0	A1	← - - -	B8	PETn0
PERp0	A2	← - - -	B9	PRTp0
RSVD	A3	NC	A3	RSVD
SB_RTN	A4	- - - - -	A4	SB_RTN
CREFCLK-	A5	← - - -	A5	CREFCLK-
CREFCLK+	A6	← - - -	A6	CREFCLK+
PWR_RTN	A7	NC	A7	PWR_RTN
CPERST#	A8	- - - - -	A8	CPERST#
GND	A9	- - - - -	B1	GND
GND	B1	- - - - -	A9	GND
RSVD	B2	NC	B2	RSVD
CWAKE#	B3	- - - - -	B3	CWAKE#
CPRSNT#	B4	- - - - -	B4	CPRSNT#
GND	B5	- - - - -	B5	GND
PWR	B6	NC	B6	PWR
CPWRON	B7	- - - - -	B7	CPWRON
PETn0	B8	- - - -	A1	PERn0
PETp0	B9	- - - -	A2	PERp0

AWG	24	26	TOLERANCE
D8	6.5	5.80	±0.4
D10	29.25	26.10	MIN
D9	35.6	32.45	MIN
D3	34.00	34.00	BASIC
D11	75.95	72.80	MIN

ADD 745760008/9 EC NO: CPG2012-1684 DRWN:ZYU 2012/05/31 CHKD:SALLY CUI 2012/05/31 APPR:CLAN01 2012/05/31 G	QUALITY SYMBOLS $F_{\Delta} = 0$ $F_{\sigma} = 0$ $F_{\beta} = 0$	GENERAL TOLERANCES (UNLESS SPECIFIED) mm INCH 4 PLACES ± --- ± --- 3 PLACES ± --- ± .020 2 PLACES ± 0.5 ± --- 1 PLACE ± --- ± --- 0 PLACE ± --- ± ---	DIMENSION STYLE MM ONLY DRAWN BY: K. PHILLIPS CHECKED BY: T. HALL APPROVED BY: D. DOYE DATE: 2005/12/21	SCALE - - -	DESIGN UNITS METRIC	THIRD ANGLE PROJECTION	TITLE 1X PCIE CABLE ASSEMBLY
	ANGULAR ± 1 ° DRAFT WHERE APPLICABLE MUST REMAIN WITHIN DIMENSIONS	MATERIAL NO. SEE CHART	DOCUMENT NO. SD-74576-000	SHEET NO. 2 OF 2			
	THIS DRAWING CONTAINS INFORMATION THAT IS PROPRIETARY TO MOLEX INCORPORATED AND SHOULD NOT BE USED WITHOUT WRITTEN PERMISSION						
	molex						