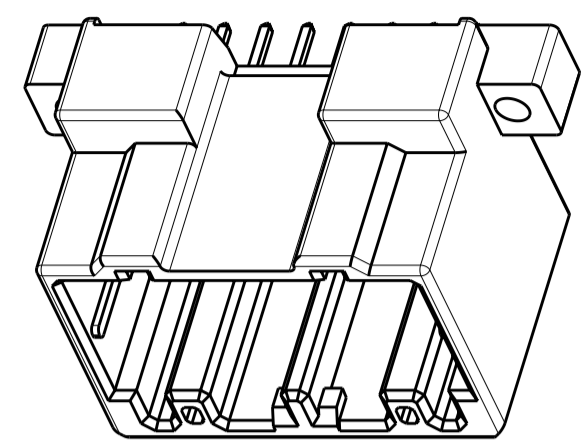
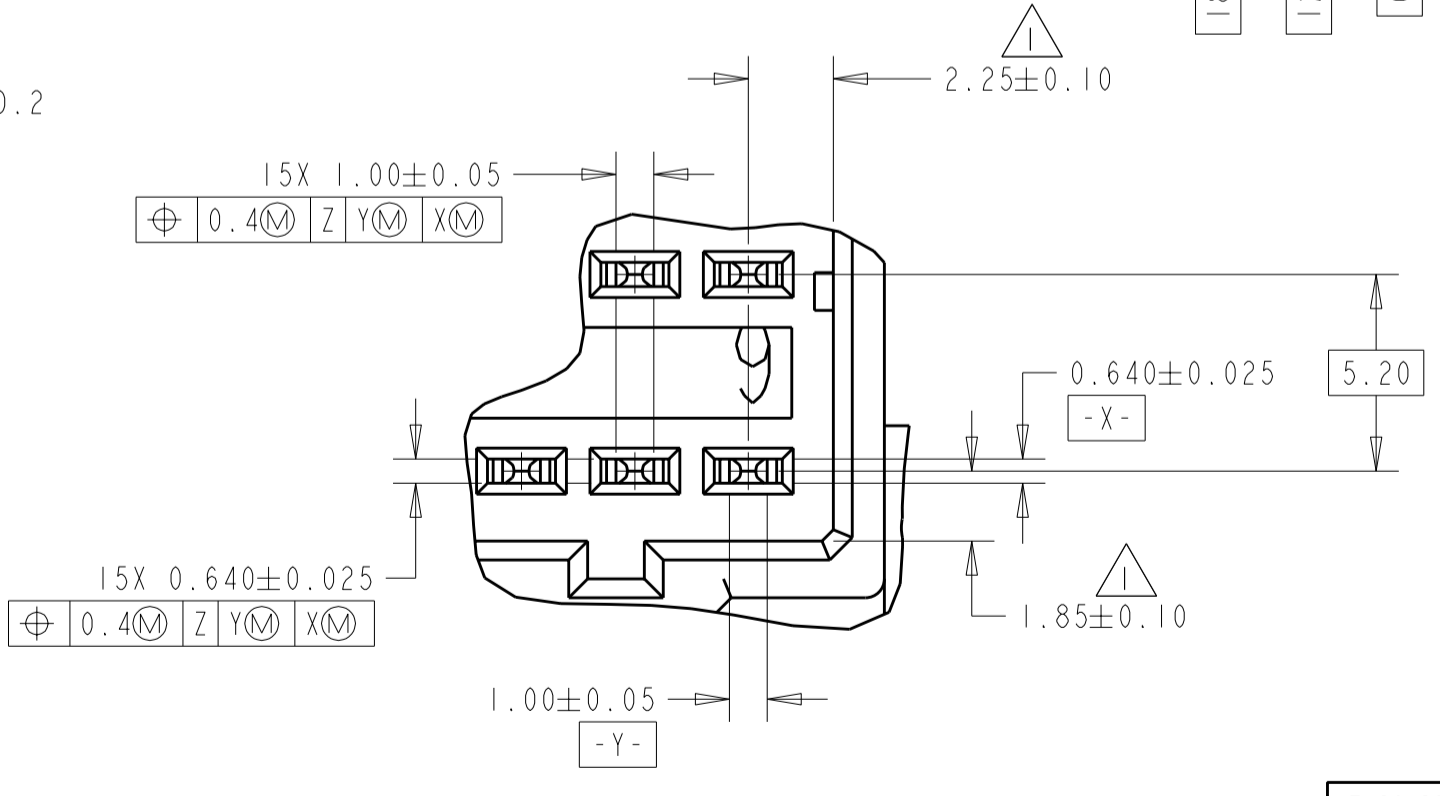
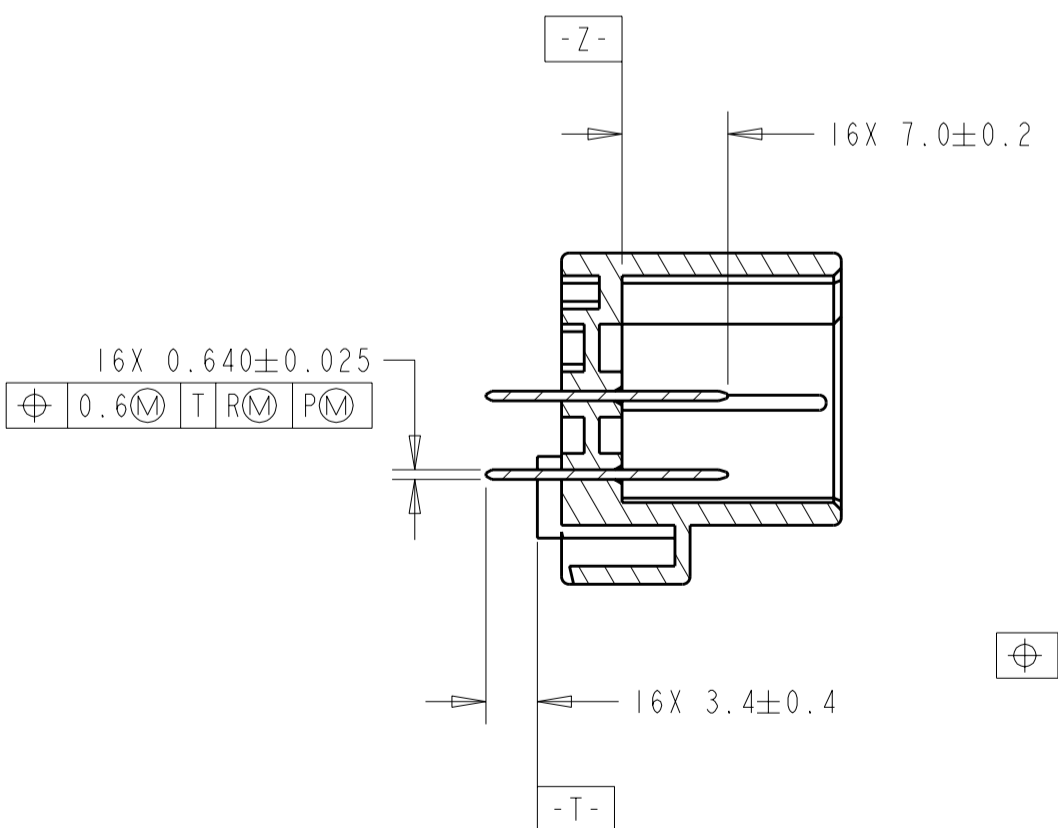
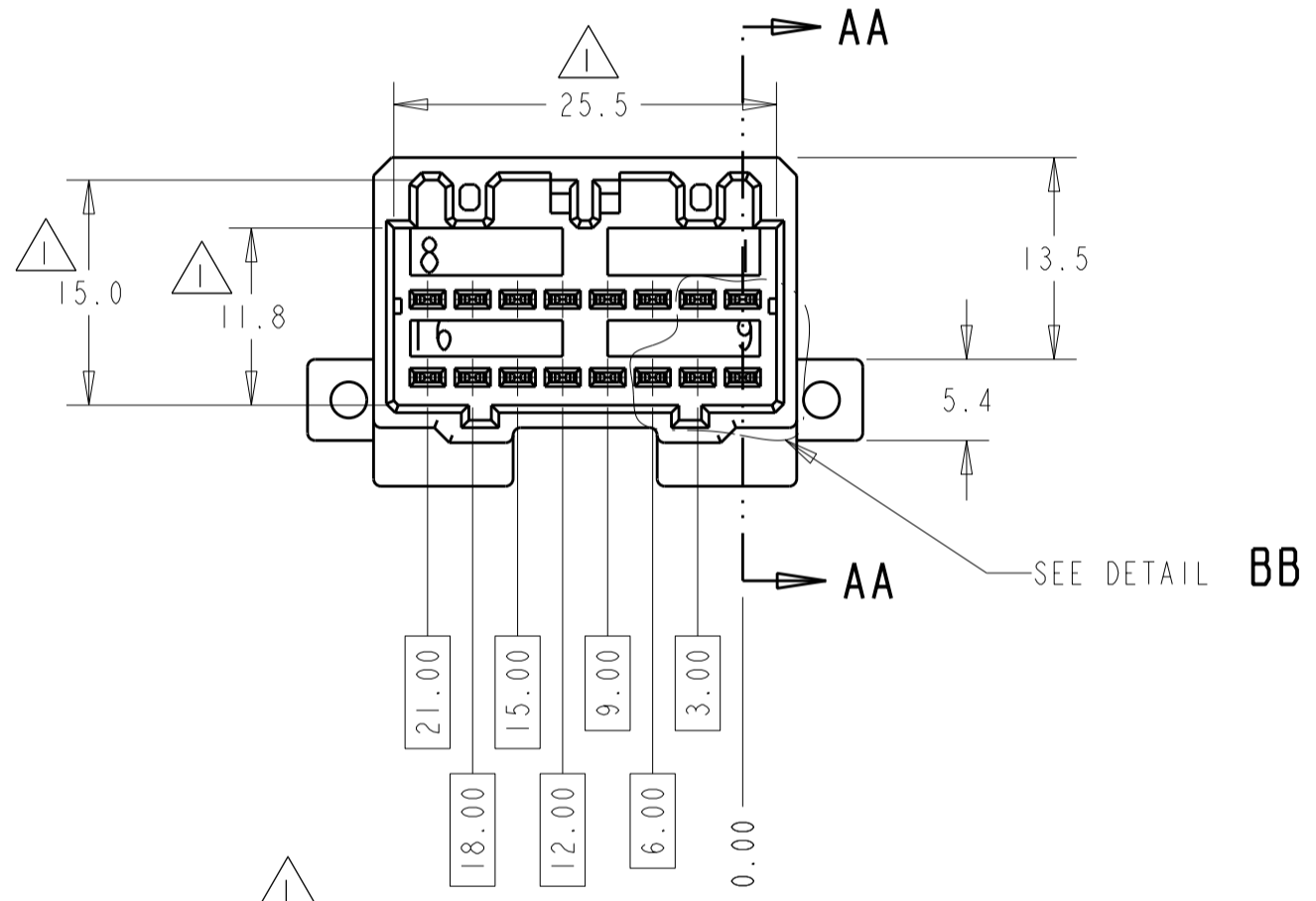
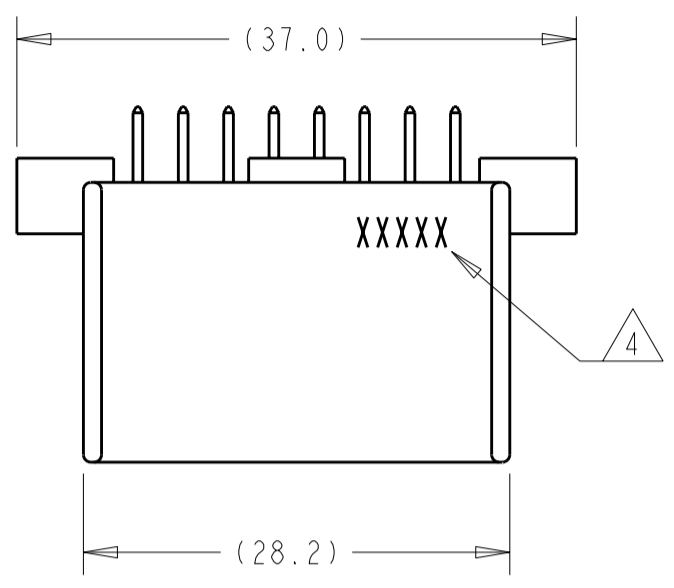
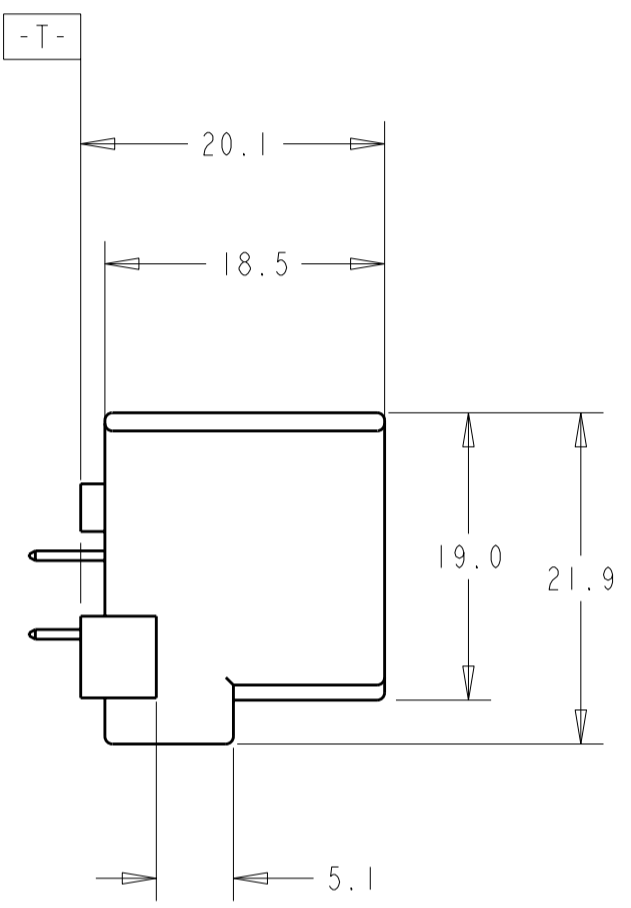
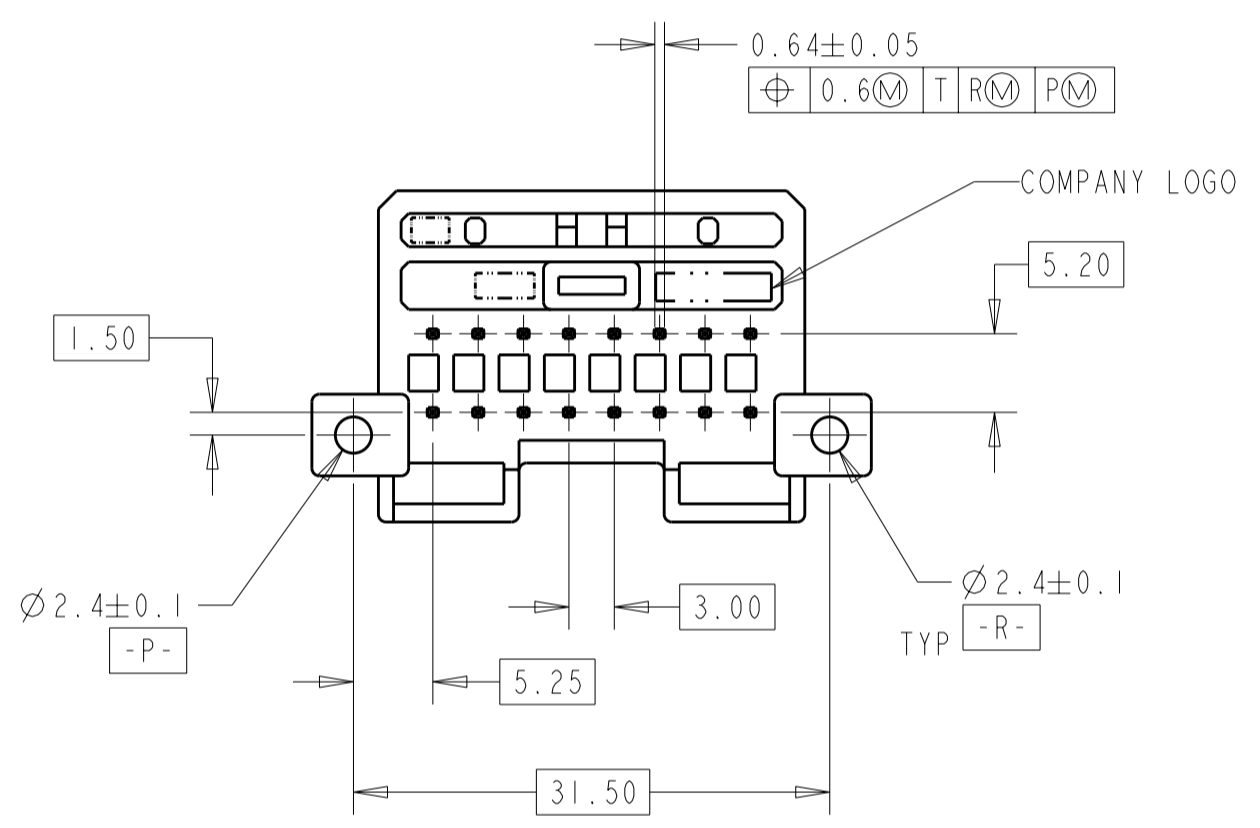


THIS DRAWING IS UNPUBLISHED. RELEASED FOR PUBLICATION 20
 © COPYRIGHT 20 BY - ALL RIGHTS RESERVED.

LOC	DIST	REVISIONS			
P	LTR	DESCRIPTION	DATE	DWN	APVD
FX	00	A	REVISED PER ECO-12-006499	03APR2012	DLD SSA



- 1 DIMENSION MUST BE HELD BETWEEN [-Z-] AND 2mm FROM [-Z-].
- 2 DATUMS AND BASIC DIMENSIONS ESTABLISHED BY CUSTOMER.
- 3. THE MATING PLUG PART NUMBER IS 917981.
- 4 DATE CODE
- 5. RECOMMENDED MOUNTING SCREW, 3mm DIA X 6mm LG, PAN HEAD, CLASS 2 TAPPING SCREW AS SPECIFIED IN JIS B1115 AND B1112. TIGHTENING TORQUE 4kg-cm MAX.



TIN	BRASS	BLACK	PCT-GF30	9-1438424-2
CONTACT FINISH	CONTACT MATERIAL	COLOR	HOUSING MATERIAL	PART NUMBER

THIS DRAWING IS A CONTROLLED DOCUMENT. DIMENSIONING AND TOLERANCING PER ASME Y14.5M-2009

DWN DL DRUMMOND 01DEC03
 CHK RM COOPER 01DEC03
 APVD RM COOPER 01DEC03

TE Connectivity

NAME CAP ASSEMBLY, HIGH TEMPERATURE, 16 POSITION, 040 VERTICAL HYBRID WITH SCREW HOLES

PRODUCT SPEC 108-5342
 APPLICATION SPEC -

MATERIAL SEE TABLE
 DIMENSIONS: mm
 TOLERANCES UNLESS OTHERWISE SPECIFIED:
 0 PLC ±
 1 PLC ±0.3
 2 PLC ±0.15
 3 PLC ±
 4 PLC ±
 ANGLES ±1°
 FINISH SEE TABLE

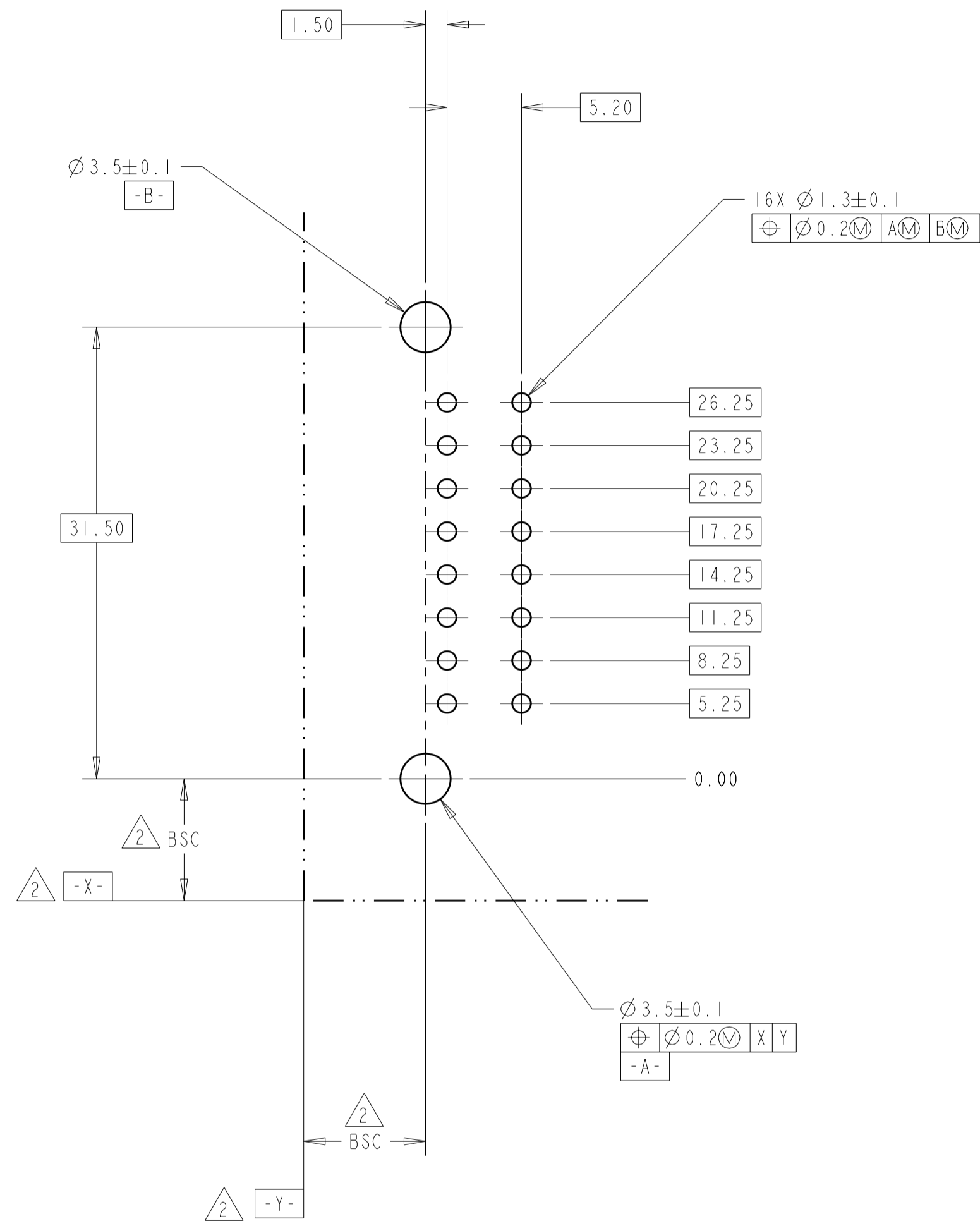
WEIGHT 7.0GR
 CUSTOMER DRAWING

SIZE A2
 CAGE CODE 00779
 DRAWING NO C-1438424
 RESTRICTED TO -

SCALE 2:1
 SHEET 1 OF 2
 REV A

THIS DRAWING IS UNPUBLISHED. RELEASED FOR PUBLICATION 20
 © COPYRIGHT 20 BY - ALL RIGHTS RESERVED.

LOC	DIST	REVISIONS				
P	LTR	DESCRIPTION	DATE	DWN	APVD	
FX	00	SEE SHEET 1				



P.C. BOARD LAYOUT

THIS DRAWING IS A CONTROLLED DOCUMENT. DIMENSIONING AND TOLERANCING PER ASME Y14.5M-2009		DWN DL DRUMMOND 0TDECO3 CHK RM COOPER 0TDECO3 APVD RM COOPER 0TDECO3	TE Connectivity	
DIMENSIONS: mm	TOLERANCES UNLESS OTHERWISE SPECIFIED:	PRODUCT SPEC 108-5342	NAME CAP ASSEMBLY, HIGH TEMPERATURE, 16 POSITION, 040 VERTICAL HYBRID WITH SCREW HOLES	
0 PLC ±	1 PLC ±0.3	APPLICATION SPEC	SIZE A2	CAGE CODE 00779
2 PLC ±0.15	3 PLC ±	WEIGHT 7.0GR	DRAWING NO. C-1438424	RESTRICTED TO -
4 PLC ±	ANGLES ±°	CUSTOMER DRAWING	SCALE 2:1	SHEET 2 OF 2
MATERIAL SEE TABLE	FINISH SEE TABLE			REV A