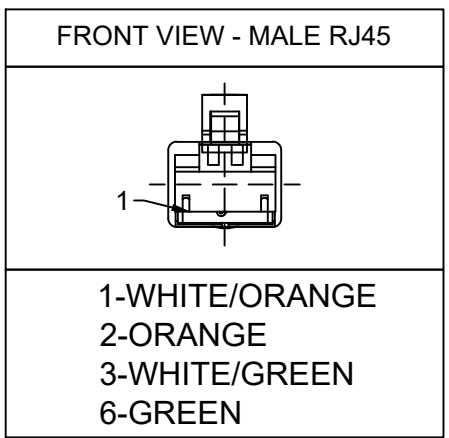
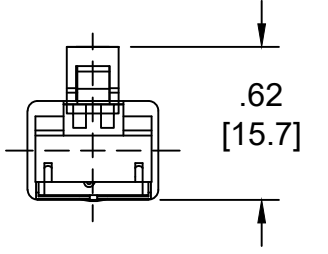
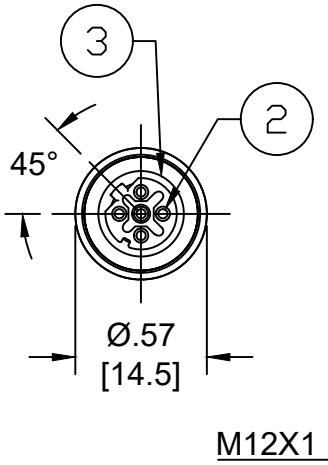
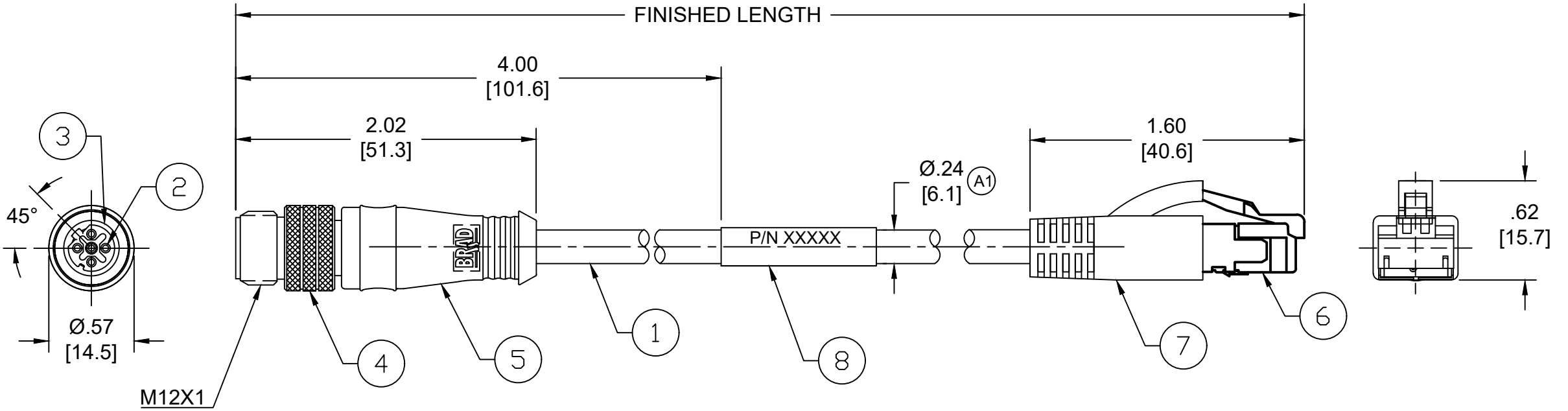


| PART NO    | ENGINEERING NO. | FINISHED LENGTH   |
|------------|-----------------|-------------------|
| 1300480309 | E16A06004M010   | 1M [ 3FT 3 IN ]   |
| 1300480406 | E16A06004M400   | 40M [131FT 3 IN]  |
| 1300480377 | E16A06004M850   | 85M [278FT 10 IN] |



NOTES:

- MATERIAL: SEE TABLE
- FINISH: SEE TABLE
- ELECTRICAL:  
VOLTAGE: 30V AC/DC  
CURRENT: 1.5A
- TEMP RATING: -20°TO +75°C
- PROTECTION: IP67/69K (WHEN MATED)
- UL RECOGNIZED FILE: E200650 (A1)
- ALL DIMENSIONS ARE FOR REFERENCE UNLESS TOLERANCED OR NOTED OTHERWISE



MECHANICAL CHARACTERISTICS: (A1)

|                 |   |
|-----------------|---|
| FLEX LIFE:      | (126 CYCLES/MIN @ 20° C)<br>1 MILLION CYCLE TEST (10X CABLE O.D., MINIMUM RADIUS)<br>10 MILLION CYCLE TEST (20X CABLE O.D., MINIMUM RADIUS) |
| TORSIONAL FLEX: | (1 LB LOAD, 360°, 71 CYCLES/MIN @ 20° C)<br>3 MILLION CYCLE TEST  |

PART NUMBER LEGEND  
**E16A06004M005**  
FINISHED LENGTH  
M005 = 0.5 METER  
M010 = 1 METER  
M100 = 10 METER

(A1)

CABLE LENGTH TOLERANCES

|                          |                         |
|--------------------------|-------------------------|
| <.3M [1FT]:              | +19mm-0 [ +.75in-0]     |
| .3 - .9M [1 - 3FT]:      | +44.5mm-0 [+1.75in-0]   |
| .9 - 1.8M [3 - 6FT]:     | +55.6mm-0 [+2.19in-0]   |
| 1.8 - 3.7M [6 - 12FT]:   | +88.9mm-0 [+3.50in-0]   |
| 3.7 - 7.3M [12 - 24FT]:  | +165.1mm-0 [+6.50in-0]  |
| 7.3-14.6M [24 - 48FT]:   | +317.5mm-0 [+12.50in-0] |
| 14.6 - 30.5M [48-100FT]: | +622.3mm-0 [+24.50in-0] |
| OVER 30M [100FT]         | +2% OF FINISHED LENGTH  |

| ITEM | DESCRIPTION           | MATERIAL      | FINISH           |
|------|-----------------------|---------------|------------------|
| 8    | WRAP LABEL            | VINYL         | BLACK/WHITE      |
| 7    | RJ45 BOOT, HOODED     | PVC           | BLACK            |
| 6    | RJ45 PLUG             | POLYCARBONATE | TRANSPARENT      |
| 5    | OVERMOLD              | PUR           | BLACK            |
| 4    | COUPLING NUT          | BRASS         | NICKEL PLATED    |
| 3    | INSERT                | PUR           | BLACK            |
| 2    | CONTACT PIN           | COPPER ALLOY  | GOLD OVER NICKEL |
| 1    | CABLE, ETHERNET, 24-4 | TPE           | TEAL             |

|  |   |   |  |  |  |                          |
|--|---|---|--|--|--|--------------------------|
| FUNCTIONAL SYMBOLS                                   | THIS DRAWING CONTAINS INFORMATION THAT IS PROPRIETARY TO MOLEX ELECTRONIC TECHNOLOGIES, LLC AND SHOULD NOT BE USED WITHOUT WRITTEN PERMISSION |   | CURRENT REV DESC: ADDED BOM, UL NUMBER, CABLE DIA, MECH CHART, MATERIAL NUMBER TABLE & TOL CHART |  |  |                          |
|  | $F_A=0$<br>$F_C=0$<br>$F_P=0$   | DIMENSION UNITS<br><b>INCH/MM</b>                           |  |  |  |                          |
| DIVISIONAL SYMBOLS                                   | GENERAL TOLERANCES (UNLESS SPECIFIED)   |   | EC NO: 704134  |  | MIC D-CODE / ETHERNET                                |                          |
|  | 4 PLACES ±--- ±---<br>3 PLACES ±--- ±---<br>2 PLACES ±--- ±---<br>1 PLACE ±--- ±---<br>0 PLACES ±--- ±---                                     | mm INCH<br>±--- ±---<br>±--- ±---<br>±--- ±---<br>±--- ±--- | DRWN: ABENJAMINLW 2021/10/01<br>CHK'D: RSTONE 2022/04/27<br>APPR: BWOODMAN 2022/05/04            | DRWN: BARDEN 2014/02/19<br>APPR: JFMURPHY 2014/03/13 | 4P M12 MALE/RJ45 MALE, STRAIGHT<br>#24-4 TPE HI-FLEX |                          |
| DRAFT WHERE APPLICABLE MUST REMAIN WITHIN DIMENSIONS |   | THIRD ANGLE PROJECTION                                      | DRAWING  | SERIES   | MATERIAL NUMBER                                      | CUSTOMER                 |
|  |   |   | B-SIZE   | 130048   | SEE CHART  | GENERAL MARKET           |
|  |   |   |  |  |  | SD-130048-009 PSD 001 A1 |
|  |   |   |  |  |  | 1 OF 1                   |