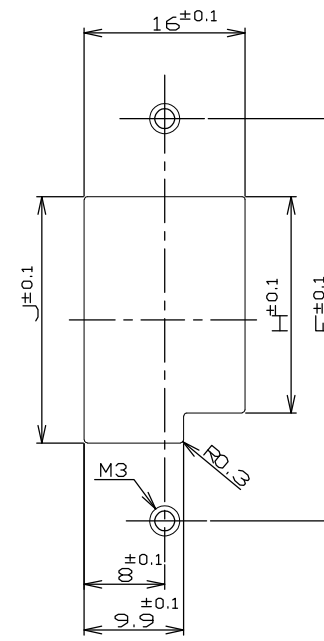
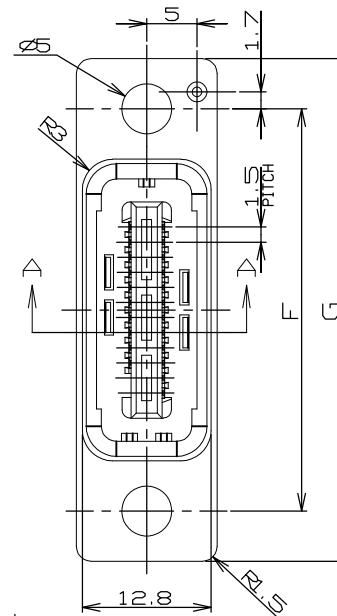
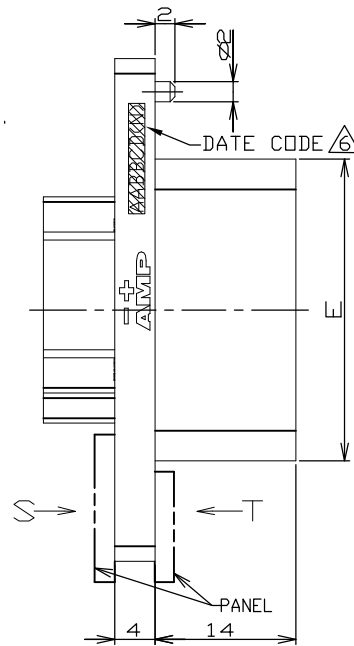
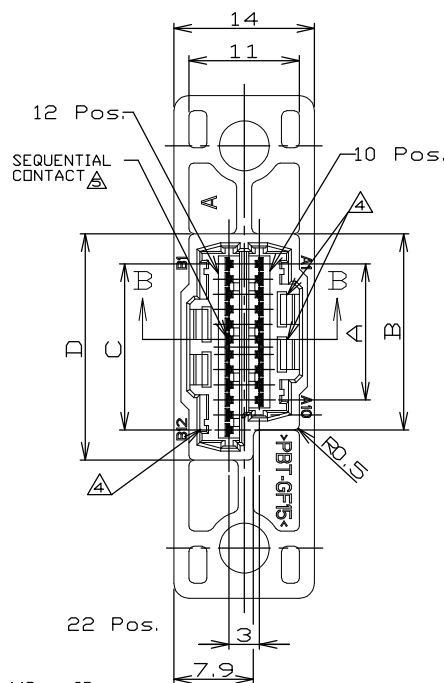
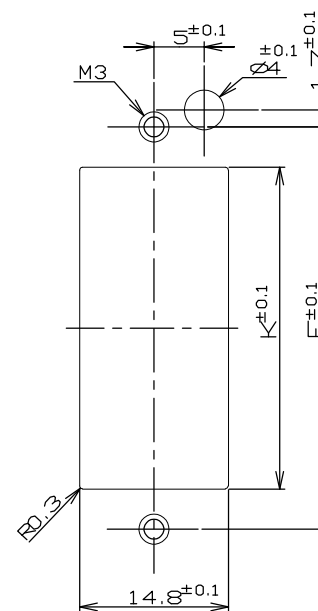


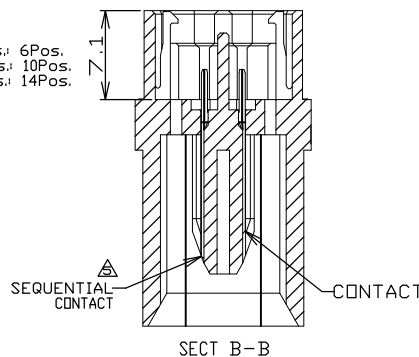
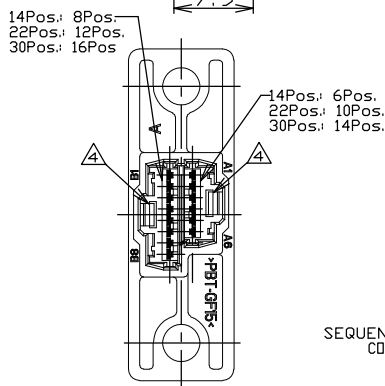
P	LTR	DESCRIPTION	DATE	DWN	APVD
	B1	REVISED ECR-07-028230	26NOV07	A.L.S.Y.	



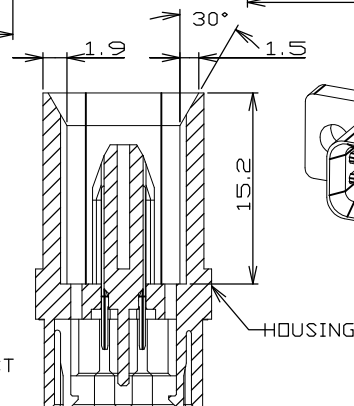
VIEW S PANEL CUT DIMENSIONS (CONNECTOR MATING SIDE)



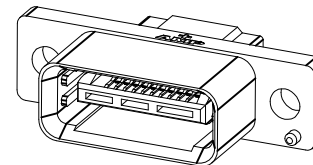
VIEW T



SECT B-B



SECT A-A



SEQUENTIAL CONT. LOCATION	WEIGHT (g)	K	J	H	G	F	E	D	C	B	A	Pos.	P/N
B8	9.9	38	30.5	27.5	56	46	36	28.5	22.5	25.5	19.5	30	3-292234-0
B6	8.4	32	24.5	21.5	50	40	30	22.5	16.5	19.5	13.5	22	2-292234-2
B4	7.0	26	18.5	15.5	44	34	24	16.5	10.5	13.5	7.5	14	1-292234-4

NOTES:
 ① USE WITH MT REC CONN P/N: X-353293-X
 CRIMP HSG P/N: X-353908-X
 CRIMP CONT P/N: 353907-1
 353918-1(L/P)
 MATERIAL:
 HOUSING: PBT G.F. UL94V-0 COLOR: BLACK
 CONTACT: BRASS
 FINISH:
 CONTACT: NICKEL UNDERPLATE ALL OVER
 CONTACT AREA: GOLD PLATE.
 POST AREA: MATTE TIN PLATE.

△ LOCK: 14Pos-1LOCK/RDW, 22Pos-2LOCKS/RDW, 30Pos-3LOCKS/RDW.
 △ LOCATION OF SEQUENTIAL CONTACT
 14Pos.: CIRCUIT No.B4 IN 8Pos.ROW
 22Pos.: CIRCUIT No.B6 IN 12Pos.ROW
 30Pos.: CIRCUIT No.B8 IN 16Pos.ROW
 △ LOCATION OF DATE CODE: AABBCD(N)
 (AA: YEAR, BB: WEEK, C: DAY OF WEEK,
 D: DAYTIME, N: NIGHT)

THIS DRAWING IS A CONTROLLED DOCUMENT FOR TYCO ELECTRONICS CORPORATION IT IS SUBJECT TO CHANGE AND THE CONTROLLING ENGINEERING ORGANIZATION SHOULD BE CONTACTED FOR THE LATEST REVISION.		DWN S.XU 31JAN03	Tyco Electronics Tyco Electronics Corporation Shanghai, PRC	
DIMENSIONS: mm		CHK S.YAO 31JAN03	NAME	
TOLERANCES UNLESS OTHERWISE SPECIFIED: 0 PLC ±0.1 1 PLC ±0.05 2 PLC ±0.01 3 PLC ±0.001 4 PLC ±0.0001 ANGLES -		APVD T.SASAKI 31JAN03	PRODUCT SPEC	
MATERIAL △		108-60026 APPLICATION SPEC		RESTRICTED TO
FINISH △		SIZE A3 CAGE CODE 00779 DRAWING NO 292234		REV B1
CUSTOMER DRAWING		SCALE 3:2 SHEET 1 OF 1		