

The documentation and process conversion measures necessary to comply with this document shall be completed by 19 August 2016.

INCH-POUND

MIL-PRF-19500/255AA
19 MAY 2016
w/AMENDMENT 1
SUPERSEDING
MIL-PRF-19500/255AA
18 Sept 2015

PERFORMANCE SPECIFICATION SHEET

TRANSISTOR, NPN, SILICON, SWITCHING,
TYPES 2N2221, 2N2222, JAN, JANTX, JANTXV, JANS, JANHC, AND JANKC

This specification is approved for use by all Departments
and Agencies of the Department of Defense.

The requirements for acquiring the product described herein shall consist of
this specification sheet and [MIL-PRF-19500](#).

1. SCOPE

1.1 Scope. This specification covers the performance requirements for NPN, silicon, switching transistors. Four levels of product assurance (JAN, JANTX, JANTXV, and JANS) are provided for each encapsulated device type as specified in [MIL-PRF-19500](#), and two levels of product assurance (JANHC and JANKC) are provided for each unencapsulated device type. RHA level designators "M", "D", "P", "L", "R", "F", "G" and "H" are appended to the device prefix to identify devices, which have passed RHA requirements.

1.2 Physical dimensions. The device packages for the encapsulated device types are as follows: (2N2221A and 2N2222A) (TO-18) in accordance with [figure 1](#), (UA) in accordance with [figure 2](#), (UB, UBC, UBN, and UBCN) in accordance with [figure 3](#). The dimensions and topography for JANHC and JANKC unencapsulated die is as follows: The B version die in accordance with [figure 4](#). The C version die in accordance with [figure 5](#). The D version die in accordance with [figure 6](#).

1.3 Maximum ratings. Unless otherwise specified $T_A = +25^{\circ}\text{C}$.

Types	I_C	V_{CBO}	V_{CEO}	V_{EBO}	T_J and T_{STG}
	<u>mA dc</u>	<u>V dc</u>	<u>V dc</u>	<u>V dc</u>	<u>°C</u>
All devices	800	75	50	6	-65 to +200

Comments, suggestions, or questions on this document should be addressed to DLA Land and Maritime, ATTN: VAC, P.O. Box 3990, Columbus, OH 43218-3990, or emailed to Semiconductor@dla.mil. Since contact information can change, you may want to verify the currency of this address information using the ASSIST Online database at <https://assist.dla.mil>.

AMSC N/A

FSC 5961



MIL-PRF-19500/255AA
w/AMENDMENT 1

1.3 Maximum ratings. Unless otherwise specified $T_A = +25^\circ\text{C}$. - Continued.

Types	P_T $T_A = +25^\circ\text{C}$ (1) (2)	P_T $T_C = +25^\circ\text{C}$ (1) (2)	P_T $T_{SP(IS)} =$ $+25^\circ\text{C}$ (1) (2)	P_T $T_{SP(AM)} =$ $+25^\circ\text{C}$ (1) (2)	$R_{\theta JA}$ (2) (3)	$R_{\theta JC}$ (2) (3)	$R_{\theta JSP(IS)}$ (2) (3)	$R_{\theta JSP(AM)}$ (2) (3)
	$\frac{W}{0.50}$	$\frac{W}{1}$	$\frac{W}{N/A}$	$\frac{W}{N/A}$	$\frac{^\circ\text{C}/W}{325}$	$\frac{^\circ\text{C}/W}{150}$	$\frac{^\circ\text{C}/W}{N/A}$	$\frac{^\circ\text{C}/W}{N/A}$
2N2221A, AL 2N2222A, AL	0.50 0.50	1 1	N/A N/A	N/A N/A	325 325	150 150	N/A N/A	N/A N/A
2N2221AUA 2N2222AUA	(4) 0.50 (4) 0.50	N/A N/A	1 1	1.5 1.5	(4) 325 (4) 325	N/A N/A	110 110	40 40
2N2221AUB, UBC, UBN and UBCN 2N2222AUB, UBC, UBN and UBCN	(4) 0.50 (4) 0.50	N/A N/A	1 1	N/A N/A	(4) 325 (4) 325	N/A N/A	90 90	N/A N/A

- (1) For derating, see [figure 7](#), [figure 8](#), [figure 9](#), [figure 10](#), and [figure 11](#).
- (2) See [3.3](#) for abbreviations.
- (3) For thermal impedance curves, see [figure 12](#), [figure 13](#), [figure 14](#), [figure 15](#), and [figure 16](#).
- (4) For non-thermal conductive PCB or unknown PCB surface mount conditions in free air, substitute [figure 8](#) and [figure 13](#) for the UA, UB, UC, UBN, and UBCN package and use $R_{\theta JA}$.

1.4 Primary electrical characteristics. Unless otherwise specified, $T_A = +25^\circ\text{C}$.

Limits	h_{FE} at $V_{CE} = 10\text{ V dc}$									
	h_{FE1} $I_C = 0.1\text{ mA dc}$		h_{FE2} $I_C = 1.0\text{ mA dc}$		h_{FE3} $I_C = 10\text{ mA dc}$		h_{FE4} (1) $I_C = 150\text{ mA dc}$		h_{FE5} (1) $I_C = 500\text{ mA dc}$	
	<u>AL, UA, UB, UBC, UBN, and UBCN</u> 2N2221A, 2N2222A		<u>AL, UA, UB, UBC, UBN, and UBCN</u> 2N2221A, 2N2222A		<u>AL, UA, UB, UBC, UBN, and UBCN</u> 2N2221A, 2N2222A		<u>AL, UA, UB, UBC, UBN, and UBCN</u> 2N2221A, 2N2222A		<u>AL, UA, UB, UBC, UBN, and UBCN</u> 2N2221A, 2N2222A	
Min	30	50	35	75	40	100	40	100	20	30
Max			150	325			120	300		

Types	Limit	$ h_{fe} $ $f = 100\text{ MHz}$ $V_{CE} = 20\text{ V dc}$ $I_C = 20\text{ mA dc}$	C_{obo} $100\text{ kHz} \leq$ $f \leq 1\text{ MHz}$ $V_{CB} = 10\text{ V dc}$ $I_E = 0$	Switching (saturated)	
				t_{on} See figure 17	t_{off} See figure 18
2N2221A, 2N2222A AL, UA, UB, UBC, UBN, and UBCN	Min Max	2.5	pF 8	ns 35	ns 300

Types	Limit	$V_{CE(sat)1}$ (1) $I_C = 150\text{ mA dc}$ $I_B = 15\text{ mA dc}$	$V_{CE(sat)2}$ (1) $I_C = 500\text{ mA dc}$ $I_B = 50\text{ mA dc}$	$V_{BE(sat)1}$ (1) $I_C = 150\text{ mA dc}$ $I_B = 15\text{ mA dc}$	$V_{BE(sat)2}$ (1) $I_C = 500\text{ mA dc}$ $I_B = 50\text{ mA dc}$
2N2221A, 2N2222A AL, UA, UB, UBC, UBN, and UBCN	Min Max	<u>V dc</u> 0.3	<u>V dc</u> 1.0	<u>V dc</u> 0.6 1.2	<u>V dc</u> 2.0

- (1) Pulsed see [4.5.1](#).

MIL-PRF-19500/255AA
w/AMENDMENT 1

1.5 Part or Identifying Number (PIN). The PIN is in accordance with [MIL-PRF-19500](#), and as specified herein. See [6.6](#) for PIN construction example and [6.7](#) for a list of available PINs.

1.5.1 JAN certification mark and quality level.

1.5.1.1 Quality level designators for encapsulated devices. The quality level designators for encapsulated devices that are applicable for this specification sheet from the lowest to the highest level are as follows: "JAN", "JANTX", "JANTXV", and "JANS".

1.5.1.2 Quality level designators for unencapsulated devices (die). The quality level designators for unencapsulated devices (die) that are applicable for this specification sheet from the lowest to the highest level are as follows: "JANH C" and "JANKC".

1.5.2 Radiation hardness assurance (RHA) designator. The RHA levels that are applicable for this specification sheet from lowest to highest are as follows: "M", "D", "P", "L", "R", "F", "G", and "H".

1.5.3 Device type. The designation system for the device types of transistors covered by this specification sheet are as follows.

1.5.3.1 First number and first letter symbols. The transistors of this specification sheet use the first number and letter symbols "2N".

1.5.3.2 Second number symbols. The second number symbols for the transistors covered by this specification sheet are as follows: "2221" and "2222".

1.5.4 Suffix symbols. The following suffix letters are incorporated in the PIN in the order listed in the table as applicable:

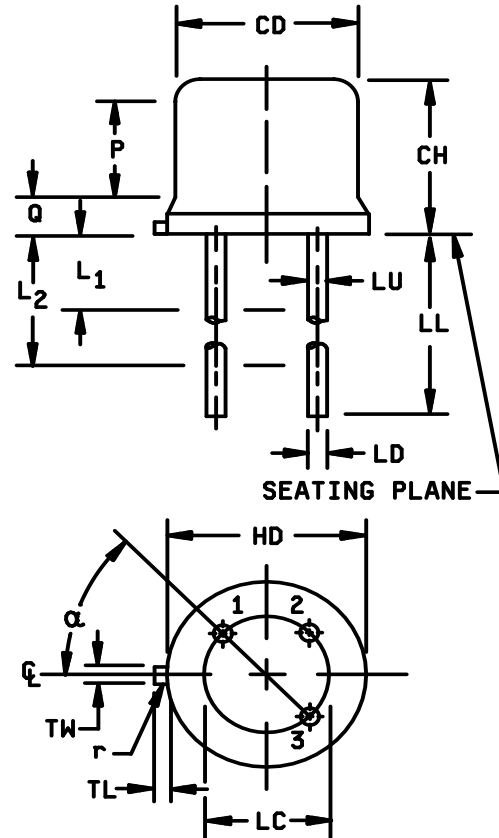
A	Indicates a modified version of the non-suffix device.
L	For L suffix devices, dimension LL = 1.5 inches (38.10 mm) min. and 1.75 inches (44.45 mm) max.
UA	Indicates a 4 pad surface mount package. (see figure 2)
UB	Indicates a 4 pad surface mount package. The metal lid is connected to pad 4 (see figure 3)
UBN	Indicates a 4 pad surface mount package. Pad 1 = Base, Pad 2 = Emitter, Pad 3 = Collector, Isolated lid with three pads only. (see figure 3).
UBC	Indicates a 4 pad surface mount package. (ceramic lid) only: Pad 1 = Base, Pad 2 = Emitter, Pad 3 = Collector, Pad 4 = Connected to the lid braze ring.
UBCN	Indicates a 4 pad surface mount package. (ceramic lid) only: Pad 1 = Base, Pad 2 = Emitter, Pad 3 = Collector, Isolated lid with three pads only.

1.5.5 Lead finish. The lead finishes applicable to this specification sheet are listed on [QML-19500](#).

1.5.6 Die identifiers for unencapsulated devices (manufacturers and critical interface identifiers). The manufacturer die identifiers that are applicable for this specification sheet are "B", "C", and "D".

MIL-PRF-19500/255AA
w/AMENDMENT 1

Symbol	Dimensions				Note
	Inches		Millimeters		
	Min	Max	Min	Max	
CD	.178	.195	4.52	4.95	
CH	.170	.210	4.32	5.33	
HD	.209	.230	5.31	5.84	
LC	.100 TP		2.54 TP		6
LD	.016	.021	0.41	0.53	7,8
LL	.500	.750	12.70	19.05	7,8,13
LU	.016	.019	0.41	0.48	7,8
L ₁		.050		1.27	7,8
L ₂	.250		6.35		7,8
P	.100		2.54		
Q		.030		0.76	5
TL	.028	.048	0.71	1.22	3,4
TW	.036	.046	0.91	1.17	3
r		.010		0.25	10
α	45° TP		45° TP		6
1, 2, 9, 11, 12, 13					

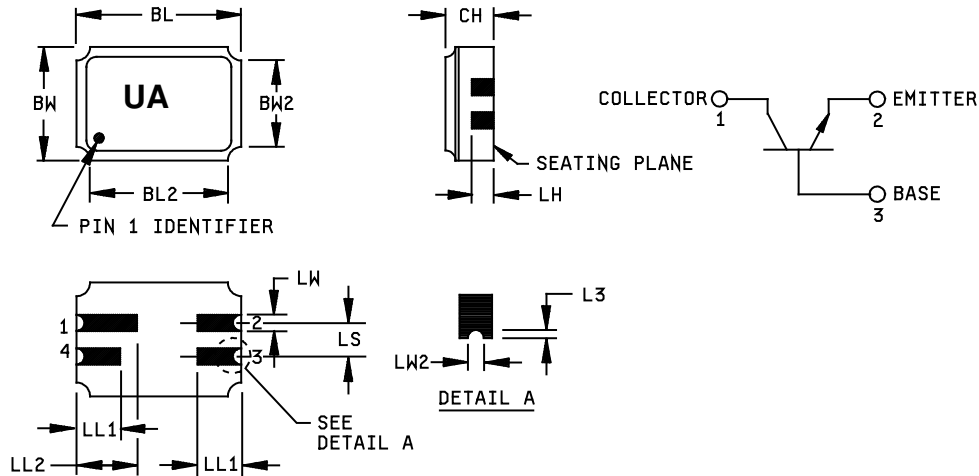


NOTES:

1. Dimensions are in inches.
2. Millimeters are given for general information only.
3. Beyond r (radius) maximum, TL shall be held for a minimum length of .011 inch (0.28 mm).
4. Dimension TL measured from maximum HD.
5. Body contour optional within zone defined by HD, CD, and Q.
6. Leads at gauge plane $.054 + .001 - .000$ inch ($1.37 + 0.03 - 0.00$ mm) below seating plane shall be within .007 inch (0.18 mm) radius of true position (TP) at maximum material condition (MMC) relative to tab at MMC.
7. Dimension LU applies between L₁ and L₂. Dimension LD applies between L₂ and LL minimum. Diameter is uncontrolled in L₁ and beyond LL minimum.
8. All three leads.
9. The collector shall be internally connected to the case.
10. Dimension r (radius) applies to both inside corners of tab.
11. In accordance with ASME Y14.5M, diameters are equivalent to ϕx symbology.
12. Lead 1 = emitter, lead 2 = base, lead 3 = collector.
13. For L suffix devices, dimension LL = 1.5 inches (38.10 mm) min. and 1.75 inches (44.45 mm) max.

FIGURE 1. Physical dimensions (similar to TO-18).

MIL-PRF-19500/255AA
w/AMENDMENT 1



Symbol	Dimensions				Note
	Inches		Millimeters		
	Min	Max	Min	Max	
BL	.215	.225	5.46	5.71	
BL2		.225		5.71	
BW	.145	.155	3.68	3.93	
BW2		.155		3.93	
CH	.061	.075	1.55	1.90	3
L3	.003		0.08		5
LH	.029	.042	0.74	1.07	
LL1	.032	.048	0.81	1.22	
LL2	.072	.088	1.83	2.23	
LS	.045	.055	1.14	1.39	
LW	.022	.028	0.56	0.71	
LW2	.006	.022	0.15	0.56	5

Pin no.	1	2	3	4
Transistor	Collector	Emitter	Base	N/C

NOTES:

1. Dimensions are in inches.
2. Millimeters are given for general information only.
3. Dimension CH controls the overall package thickness. When a window lid is used, dimension CH must increase by a minimum of .010 inch (0.254 mm) and a maximum of .040 inch (1.020 mm).
4. The corner shape (square, notch, radius) may vary at the manufacturer's option, from that shown on the drawing.
5. Dimensions LW2 minimum and L3 minimum and the appropriate castellation length define an unobstructed three-dimensional space traversing all of the ceramic layers in which a castellation was designed. (Castellations are required on the bottom two layers, optional on the top ceramic layer.) Dimension LW2 maximum define the maximum width of the castellation at any point on its surface. Measurement of this dimension may be made prior to solder dipping.
6. The co-planarity deviation of all terminal contact points, as defined by the device seating plane, shall not exceed .006 inch (0.15mm) for solder dipped leadless chip carriers.
7. In accordance with ASME Y14.5M, diameters are equivalent to ϕx symbology.

FIGURE 2. Physical dimensions, surface mount (UA version).

MIL-PRF-19500/255AA
w/AMENDMENT 1

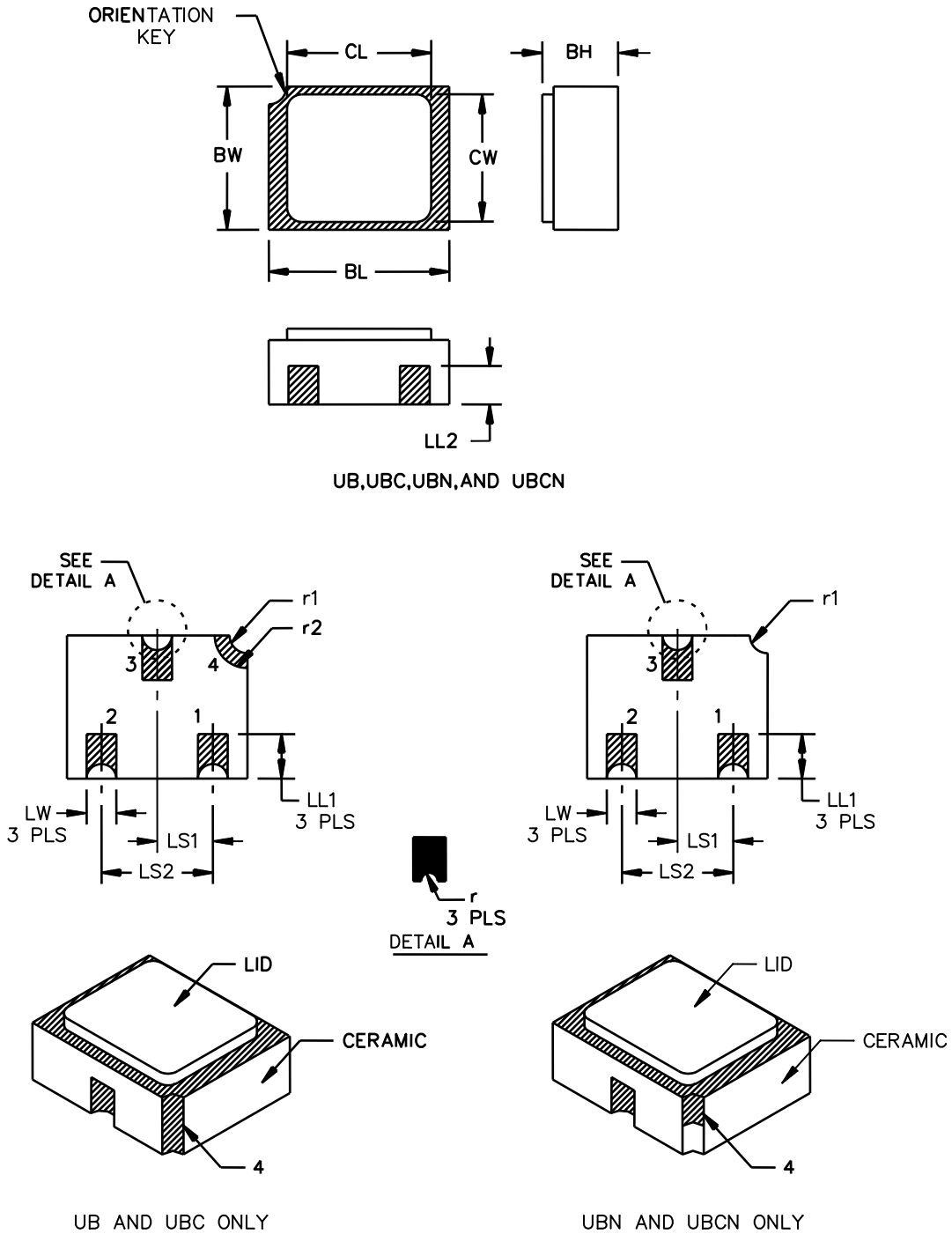


FIGURE 3. Physical dimensions, surface mount (UB, UBN, UBC, and UBCN versions).

MIL-PRF-19500/255AA
w/AMENDMENT 1

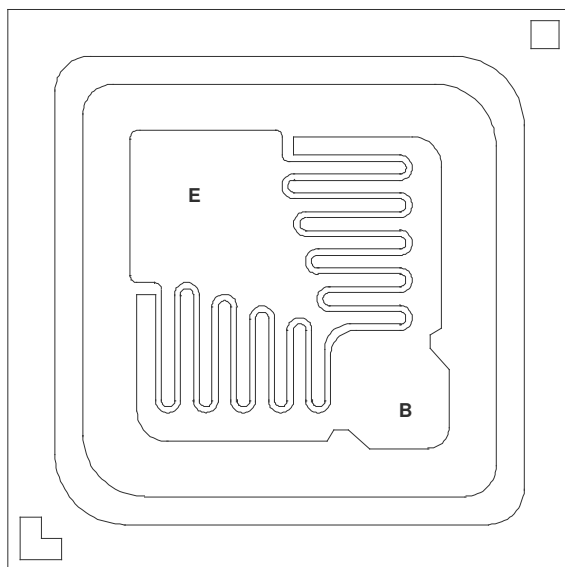
Symbol	Dimensions				Note
	Inches		Millimeters		
	Min	Max	Min	Max	
BL	.115	.128	2.92	3.25	
BW	.085	.108	2.16	2.74	
BH	.046	.056	1.17	1.42	UB only, 4
BH	.046	.056	1.17	1.42	UBN only, 5
BH	.055	.069	1.40	1.75	UBC only, 6
BH	.055	.069	1.40	1.75	UBCN only, 7
CL		.128		3.25	
CW		.108		2.74	
LL1	.022	.038	0.56	0.97	3 places
LL2	.014	.035	0.356	0.89	3 places
LS ₁	.035	.040	0.89	1.02	
LS ₂	.071	.079	1.80	2.01	
LW	.016	.024	0.41	0.61	
r		.008		0.20	6
r1		.012		0.30	8
r2		.022		0.56	UB and UBC only, 8

NOTES:

1. Dimensions are in inches.
2. Millimeters are given for general information only.
3. Hatched areas on package denote metallized areas.
4. UB only: Pad 1 = Base, Pad 2 = Emitter, Pad 3 = Collector, Pad 4 = Shielding connected to the metal lid.
5. UBN only: Pad 1 = Base, Pad 2 = Emitter, Pad 3 = Collector, Isolated lid with three pads only.
6. UBC (ceramic lid) only: Pad 1 = Base, Pad 2 = Emitter, Pad 3 = Collector, Pad 4 = Connected to the lid braze ring.
7. UBCN (ceramic lid) only: Pad 1 = Base, Pad 2 = Emitter, Pad 3 = Collector, Isolated lid with three pads only.
8. For design reference only.
9. In accordance with ASME Y14.5M, diameters are equivalent to ϕx symbology.

* FIGURE 3. Physical dimensions, surface mount (UB, UBN, UBC, and UBCN versions) - Continued.

MIL-PRF-19500/255AA
w/AMENDMENT 1



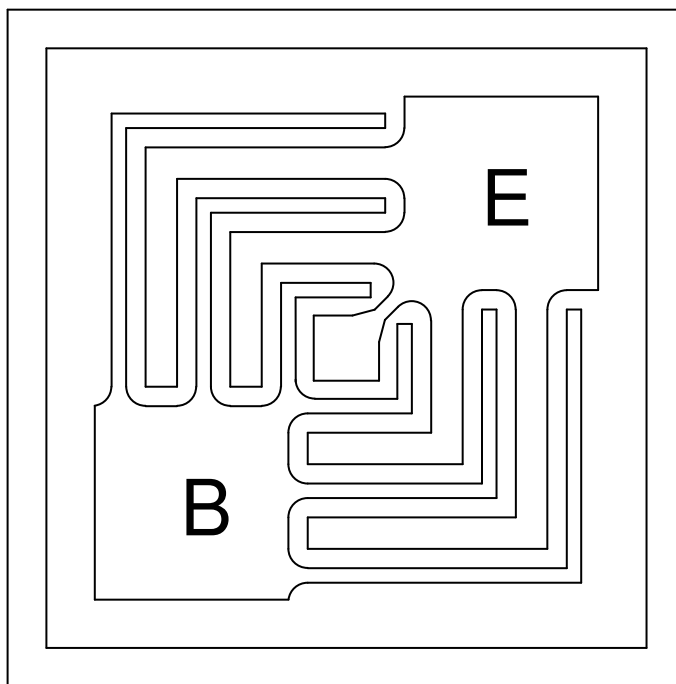
Physical characteristics:
B-version

NOTES:

1. Chip size: .023 x .023 inch \pm .002 inch (0.584 mm x 0.584 mm \pm 0.051 mm).
2. Chip thickness: .010 \pm .0015 inch (0.254 mm \pm 0.038 mm).
3. Top metal: Aluminum 15,000Å minimum, 18,000Å nominal for JANHC.
AlSiCu 16,000Å minimum, 18,000Å nominal for JANKC.
4. Back metal: Gold 4,500Å minimum, 5,000Å nominal.
5. Glassivation: Si₃N₄ 2,000 Å minimum, 8,000 Å nominal for JANHC.
SiON 8,500 Å minimum, 9,000 Å nominal for JANKC
6. Backside: Collector.
7. Bonding pad: B = .0042 x .0042 inch (0.107 mm x 0.107 mm).
E = .0042 x .0042 inch (0.107 mm x 0.107 mm).
8. In accordance with ASME Y14.5M, diameters are equivalent to ϕ x symbology.

FIGURE 4. JANHC and JANKC (B-version) die dimensions.

MIL-PRF-19500/255AA
w/AMENDMENT 1

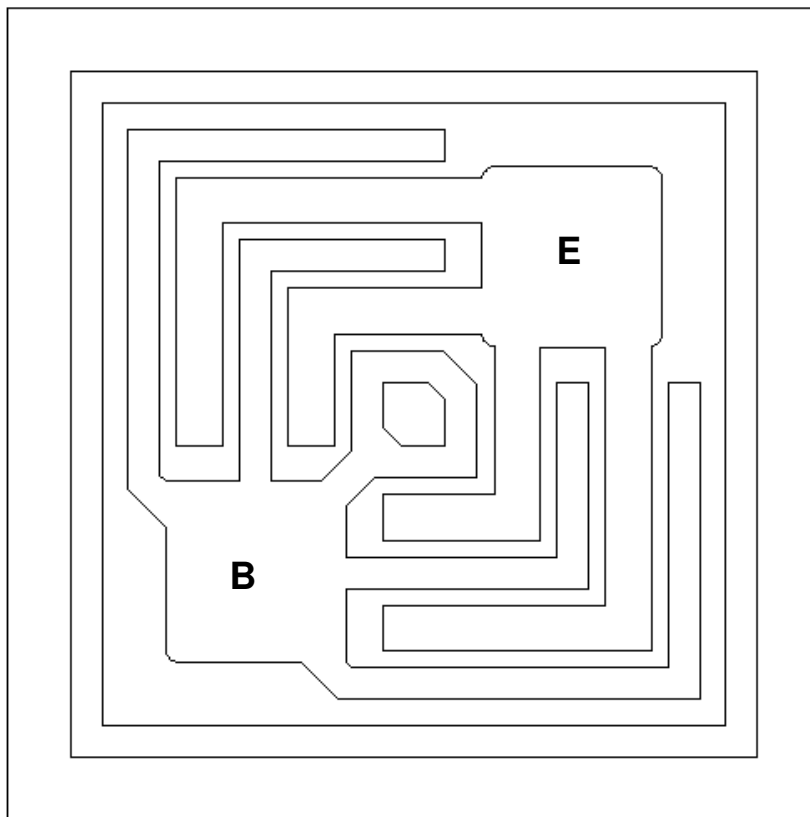


NOTES:

1. Die size: .020 x .020 inch (0.508 mm x 0.508 mm).
2. Die thickness: .008 ±.0016 inch (0.2032 mm ±0.04064 mm).
3. Base bonding pad: .004 x .004 inch (0.1016 mm x 0.1016 mm).
4. Emitter bonding pad: .004 x .004 inch.
5. Back metal: Gold, 6,500 ±1,950 Å.
6. Top metal: Aluminum, 27,000 ±3,000 Å.
7. Back side: Collector.
8. Glassivation: SiO₂, 7,500 ±1,500 Å.
9. In accordance with ASME Y14.5M, diameters are equivalent to ϕ x symbology.

FIGURE 5. JANHC and JANKC (C-version) die dimensions.

MIL-PRF-19500/255AA
w/AMENDMENT 1



NOTES:

- * 1. Chip size: .025 x .025 inch \pm .002 inch (0.635 mm x 0.635 mm \pm 0.051 mm).
- 2. Chip thickness: .010 \pm .0015 inch (0.254 mm \pm 0.038 mm).
- 3. Top metal: AISiCu 16,260 Å minimum, 20,320 Å nominal for JANHC and JANKC.
- 4. Back metal: Gold 4,500 Å minimum, 5,000 Å nominal for JANHC and JANKC.
- 5. Glassivation: SiO₂ 6,500 Å minimum, 8,000 Å nominal for JANHC and JANKC.
- 6. Backside: Collector.
- 7. Bonding pad: B = .0043 x .0043 inch (0.110 mm x 0.110 mm).
E = .0043 x .0043 inch (0.110 mm x 0.110 mm).
- 8. In accordance with ASME Y14.5M, diameters are equivalent to ϕ x symbology.

FIGURE 6. JANHC and JANKC (D-version) die dimensions.

2. APPLICABLE DOCUMENTS

2.1 General. The documents listed in this section are specified in sections 3 and 4 of this specification. This section does not include documents cited in other sections of this specification or recommended for additional information or as examples. While every effort has been made to ensure the completeness of this list, document users are cautioned that they must meet all specified requirements of documents cited in sections 3 and 4 of this specification, whether or not they are listed.

2.2 Government documents.

2.2.1 Specifications, standards, and handbooks. The following specifications, standards, and handbooks form a part of this document to the extent specified herein. Unless otherwise specified, the issues of these documents are those cited in the solicitation or contract.

DEPARTMENT OF DEFENSE SPECIFICATIONS

[MIL-PRF-19500](#) - Semiconductor Devices, General Specification for.

DEPARTMENT OF DEFENSE STANDARDS

[MIL-STD-750](#) - Test Methods for Semiconductor Devices.

(Copies of these documents are available online at <http://quicksearch.dla.mil>.)

2.3 Order of precedence. Unless otherwise noted herein or in the contract, in the event of a conflict between the text of this document and the references cited herein, the text of this document takes precedence. Nothing in this document, however, supersedes applicable laws and regulations unless a specific exemption has been obtained.

3. REQUIREMENTS

3.1 General. The individual item requirements shall be as specified in [MIL-PRF-19500](#) and as modified herein.

3.2 Qualification. Devices furnished under this specification shall be products that are manufactured by a manufacturer authorized by the qualifying activity for listing on the applicable qualified manufacturers list before contract award (see [4.2](#) and [6.3](#)).

3.3 Abbreviations, symbols, and definitions. Abbreviations, symbols, and definitions used herein shall be as specified in [MIL-PRF-19500](#) and as follows.

PCB	Printed circuit board.
$R_{\theta JA}$	Thermal resistance junction to ambient.
$R_{\theta JC}$	Thermal resistance junction to case.
$R_{\theta JSP(AM)}$	Thermal resistance junction to solder pads (adhesive mount to PCB).
$R_{\theta JSP(IS)}$	Thermal resistance junction to solder pads (infinite sink mount to PCB).
$T_{SP(AM)}$	Temperature of solder pads (adhesive mount to PCB).
$T_{SP(IS)}$	Temperature of solder pads (infinite sink mount to PCB).
UA,	Surface mount case outlines (see figure 2).
UB, UBC, UBN, and UBCN	Surface mount case outlines (see figure 3).

3.4 Interface and physical dimensions. The interface and physical dimensions shall be as specified in [MIL-PRF-19500](#), and [figure 1](#) (TO-18), [figure 2](#) (UA), [figure 3](#) (UB), [figure 4](#) (JANHNC and JANKC version B), [figure 5](#) (JANHNC and JANKC version C), and [figure 6](#) (JANHNC and JANKC version D) herein.

MIL-PRF-19500/255AA
w/AMENDMENT 1

3.4.1 Lead finish. Lead finish shall be solderable in accordance with [MIL-PRF-19500](#), [MIL-STD-750](#), and herein. Where a choice of lead finish is desired, it shall be specified in the acquisition document (see [6.2](#)).

3.5 Radiation hardness assurance (RHA). Radiation hardness assurance requirements, PIN designators, and test levels shall be as defined in [MIL-PRF-19500](#).

3.6 Electrical performance characteristics. Unless otherwise specified herein, the electrical performance characteristics are as specified in paragraph [1.3](#), [1.4](#), and [table I](#).

3.7 Electrical test requirements. The electrical test requirements shall be as specified in [table I](#).

3.8 Marking. Marking shall be in accordance with [MIL-PRF-19500](#), except for the UB, UBC, UBN, and UBCN suffix packages. Marking on the UB, UBC, UBN, and UBCN packages shall consist of an abbreviated part number, the date code, and the manufacturer's symbol or logo. The prefixes JAN, JANTX, JANTXV, and JANS can be abbreviated as J, JX, JV, and JS respectively. The "2N" prefix and the "AUB" suffix can also be omitted. The radiation hardened designator M, D, P, L, R, F, G, or H shall immediately precede (or replace) the device "2N" identifier (depending upon degree of abbreviation required).

3.9 Workmanship. Semiconductor devices shall be processed in such a manner as to be uniform in quality and shall be free from other defects that will affect life, serviceability, or appearance.

4. VERIFICATION

4.1 Classification of inspections. The inspection requirements specified herein are classified as follows:

- a. Qualification inspection (see [4.2](#)).
- b. Screening (see [4.3](#)).
- c. Conformance inspection (see [4.4](#), and tables I and II).

4.2 Qualification inspection. Qualification inspection shall be in accordance with [MIL-PRF-19500](#) and as specified herein.

4.2.1 JANHC and JANKC qualification. JANHC and JANKC qualification inspection shall be in accordance with [MIL-PRF-19500](#).

4.2.2 Group E qualification. Group E inspection shall be performed for qualification or re-qualification only. In case qualification was awarded to a prior revision of the specification sheet that did not request the performance of [table III](#) tests, the tests specified in [table III](#) herein that were not performed in the prior revision shall be performed on the first inspection lot of this revision to maintain qualification.

MIL-PRF-19500/255AA
w/AMENDMENT 1

4.3 Screening (JANS, JANTX, and JANTXV levels only). Screening shall be in accordance with table E-IV MIL-PRF-19500, and as specified herein. The following measurements shall be made in accordance with table I herein. Devices that exceed the limits of table I herein shall not be acceptable.

Screen	Measurement	
	JANS level	JANTX and JANTXV levels
2	Optional	Optional
3a 3b (1) 3c	Required Not applicable Thermal impedance (transient), method 3131 of MIL-STD-750. (see 4.3.3)	Required Not applicable Thermal impedance (transient), method 3131 of MIL-STD-750. (2) (see 4.3.3)
4	Required	Optional
5	Required	Not applicable
8	Required	Not required
9	I_{CBO2} , h_{FE4}	Not applicable
10	48 hours minimum	48 hours minimum
11	I_{CBO2} ; h_{FE4} ; ΔI_{CBO2} = 100 percent of initial value or 5 nA dc, whichever is greater. Δh_{FE4} = ± 15 percent	I_{CBO2} ; h_{FE4}
12	See 4.3.2	See 4.3.2
13	Subgroups 2 and 3 of table I herein; ΔI_{CBO2} = 100 percent of initial value or 5 nA dc, whichever is greater; Δh_{FE4} = ± 15 percent	Subgroup 2 of table I herein; ΔI_{CBO2} = 100 percent of initial value or 5 nA dc, whichever is greater; Δh_{FE4} = ± 15 percent
15	Required	Not required
16	Required	Not required

(1) Thermal impedance limits shall not exceed figures 12, 13, 14, 15, and 16.

(2) Shall be performed anytime after temperature cycling, screen 3a; JANTX and JANTXV levels do not need to be repeated in screening requirements.

MIL-PRF-19500/255AA
w/AMENDMENT 1

4.3.1 Screening (JANHC and JANKC). Screening of JANHC and JANKC die shall be in accordance with [MIL-PRF-19500](#) "Discrete Semiconductor Die/Chip Lot Acceptance". Burn-in duration for the JANKC level follows JANS requirements; the JANHC follows JANTX requirements.

4.3.2 Power burn-in conditions. Power burn-in conditions are as follows: $V_{CB} = 10 - 30$ V dc. Power shall be applied to achieve $T_J = +135^\circ\text{C}$ minimum using a minimum $P_D = 75$ percent of P_T maximum, T_A ambient rated as defined in 1.3. With approval of the qualifying activity and preparing activity, alternate burn-in criteria (hours, bias conditions, T_J , and mounting conditions) may be used for JANTX and JANTXV quality levels. A justification demonstrating equivalence is required. In addition, the manufacturing site's burn-in data and performance history will be essential criteria for burn-in modification approval. Method 3100 of [MIL-STD-750](#) to measure T_J shall be used.

4.3.3 Thermal impedance. The thermal impedance measurements shall be performed in accordance with method 3131 of [MIL-STD-750](#) using the guidelines in that method for determining I_M , I_H , t_H , t_{MD} (and V_C where appropriate). The thermal impedance limit shall comply with the thermal impedance graph on figures 12, 13, 14, 15, and 16 (less than or equal to the curve value at the same t_H time) and shall be less than the process determined statistical maximum limit as outlined in method 3131 of MIL-STD-750. See [table III](#), subgroup 4 herein.

4.4 Conformance inspection. Conformance inspection shall be in accordance with [MIL-PRF-19500](#), and as specified herein. If alternate screening is being performed in accordance with [MIL-PRF-19500](#), a sample of screened devices shall be submitted to and pass the requirements of subgroups 1 and 2, of [table I](#) herein, inspection only (table E-VIb, group B, subgroup 1 is not required to be performed since solderability and resistance to solvents testing is performed in A1 herein).

4.4.1 Group A inspection. Group A inspection shall be conducted in accordance with [MIL-PRF-19500](#), and [table I](#) herein.

4.4.2 Group B inspection. Group B inspection shall be conducted in accordance with the tests and conditions specified for subgroup testing in table E-VIa (JANS) of [MIL-PRF-19500](#) and 4.4.2.1. Delta requirements shall be in accordance with [table I](#), subgroup 2 and 4.5.3 herein: delta requirements only apply to subgroups B4, and B5. See 4.4.2.2 for JAN, JANTX, and JANTXV group B testing. Delta requirements for JAN, JANTX, and JANTXV shall be after each step in 4.4.2.2 and shall be in accordance with 4.5.3 herein.

4.4.2.1 Group B inspection (JANS), table E-VIa of [MIL-PRF-19500](#).

<u>Subgroup</u>	<u>Method</u>	<u>Condition</u>
-----------------	---------------	------------------

B4	1037	$V_{CB} = 10$ V dc, adjust device current, or power, to achieve a minimum ΔT_J of $+100^\circ\text{C}$.
----	------	--

B5	1027	$V_{CB} = 10$ V dc; $P_D \geq 100$ percent of maximum rated P_T (see 1.3). (NOTE: If a failure occurs, resubmission shall be at the test conditions of the original sample.)
----	------	--

Option 1: 96 hours minimum sample size in accordance with [MIL-PRF-19500](#), table E-VIa, adjust T_A or P_D to achieve $T_J = +275^\circ\text{C}$ minimum.

Option 2: 216 hours minimum, sample size = 45, $c = 0$; adjust T_A or P_D to achieve a $T_J = +225^\circ\text{C}$ minimum.

MIL-PRF-19500/255AA
w/AMENDMENT 1

4.4.2.2 Group B inspection, (JAN, JANTX, and JANTXV). Separate samples may be used for each step. In the event of a lot failure, the resubmission requirements of [MIL-PRF-19500](#) shall apply. In addition, all catastrophic failures during CI shall be analyzed to the extent possible to identify root cause and corrective action. Whenever a failure is identified as wafer lot or wafer processing related, the entire wafer lot and related devices assembled from the wafer lot shall be rejected unless an appropriate determined corrective action to eliminate the failure mode has been implemented and the devices from the wafer lot are screened to eliminate the failure mode.

<u>Step</u>	<u>Method</u>	<u>Condition</u>
1	1026	Steady-state life: 1,000 hours minimum, $V_{CB} = 10$ V dc, power shall be applied to achieve $T_J = +150^\circ\text{C}$ minimum using a minimum of $P_D = 75$ percent of maximum rated P_T as defined in 1.3 . $n = 45$ devices, $c = 0$. The sample size may be increased and the test time decreased as long as the devices are stressed for a total of 45,000 device hours minimum, and the actual time of test is at least 340 hours.
2	1048	Blocking life, $T_A = +150^\circ\text{C}$, $V_{CB} = 80$ percent of rated voltage, 48 hours minimum. $n = 45$ devices, $c = 0$.
3	1032	High-temperature life (non-operating), $t = 340$ hours, $T_A = +200^\circ\text{C}$. $n = 22$, $c = 0$.

4.4.2.3 Group B sample selection. Samples selected from group B inspection shall meet all of the following requirements:

- a. For JAN, JANTX, and JANTXV samples shall be selected randomly from a minimum of three wafers (or from each wafer in the lot) from each wafer lot. For JANS, samples shall be selected from each inspection lot. See [MIL-PRF-19500](#).
- b. Shall be chosen from an inspection lot that has been submitted to and passed [table I](#), subgroup 2, conformance inspection. When the final lead finish is solder, or any plating prone to oxidation at high temperature, the samples for life test (subgroups B4 and B5 for JANS, and group B for JAN, JANTX, and JANTXV) may be pulled prior to the application of final lead finish.

4.4.3 Group C inspection, Group C inspection shall be conducted in accordance with the test and conditions specified for subgroup testing in table E-VII of [MIL-PRF-19500](#), and in [4.4.3.1](#) (JANS) and [4.4.3.2](#) (JAN, JANTX, and JANTXV) herein for group C testing. Delta requirements shall be in accordance with [4.5.3](#) herein; delta requirements only apply to subgroup C6.

4.4.3.1 Group C inspection (JANS), table E-VII of [MIL-PRF-19500](#).

<u>Subgroup</u>	<u>Method</u>	<u>Condition</u>
C2	2036	Test condition E; (not applicable for UA, UB, UBC, UBN, and UBCN devices).
C5	3131	$R_{\theta JA}$ and $R_{\theta JC}$ only, as applicable (see 1.3) and in accordance with thermal impedance curves.
C6	1026	1,000 hours at $V_{CB} = 10$ V dc; power shall be applied to achieve $T_J = +150^\circ\text{C}$ minimum and a minimum of $P_D = 75$ percent of maximum rated P_T as defined in 1.3 $n = 45$, $c = 0$. The sample size may be increased and the test time decreased as long as the devices are stressed for a total of 45,000 device hours minimum, and the actual time of test is at least 340 hours.

MIL-PRF-19500/255AA
w/AMENDMENT 1

4.4.3.2 Group C inspection (JAN, JANTX, and JANTXV), table E-VII of [MIL-PRF-19500](#).

<u>Subgroup</u>	<u>Method</u>	<u>Condition</u>
C2	2036	Test condition E; not applicable for UA, UB, UBC, UBN, and UBCN devices.
C5	3131	$R_{\theta JA}$ and $R_{\theta JC}$ only, as applicable (see 1.3 and 4.3.3) and in accordance with thermal impedance curves.
C6		Not applicable.

4.4.3.3 Group C sample selection. Samples for subgroups in group C shall be chosen at random from any inspection lot containing the intended package type and lead finish procured to the same specification which is submitted to and passes [table I](#) tests herein for conformance inspection. When the final lead finish is solder or any plating prone to oxidation at high temperature, the samples for C6 life test may be pulled prior to the application of final lead finish. Testing of a subgroup using a single device type enclosed in the intended package type shall be considered as complying with the requirements for that subgroup.

4.4.4 Group D inspection. Conformance inspection for hardness assured JANS and JANTXV types shall include the group D tests specified in [table II](#) herein. These tests shall be performed as required in accordance with [MIL-PRF-19500](#) and method 1019 of [MIL-STD-750](#), for total ionizing dose or method 1017 of [MIL-STD-750](#) for neutron fluence as applicable (see 6.2 herein), except group D, subgroup 2 may be performed separate from other subgroups. Alternate package options may also be substituted for the testing provided there is no adverse effect to the fluence profile.

4.4.5 Group E inspection. Group E inspection shall be conducted in accordance with the conditions specified for subgroup testing in table E-IX of [MIL-PRF-19500](#) and as specified in [table III](#) herein. Delta measurements shall be in accordance with the applicable steps of 4.5.3.

4.5 Method of inspection. Methods of inspection shall be as specified in the appropriate tables and as follows.

4.5.1 Pulse measurements. Conditions for pulse measurement shall be as specified in section 4 of [MIL-STD-750](#).

4.5.2 Input capacitance. This test shall be conducted in accordance with method 3240 of [MIL-STD-750](#), except the output capacitor shall be omitted.

4.5.3 Delta requirements. Delta requirements shall be as specified below:

Step	Inspection	MIL-STD-750		Symbol	Limit	Unit
		Method	Conditions			
1	Collector-base cutoff current	3036	Bias condition D, $V_{CB} = 60$ V dc	ΔI_{CB02} (1)	100 percent of initial value or 8 nA dc, whichever is greater.	
2	Forward current transfer ratio	3076	$V_{CE} = 10$ V dc; $I_C = 150$ mA dc; pulsed, see 4.5.1	Δh_{FE4} (1)	±25 percent change from initial reading.	

(1) Devices which exceed the [table I](#) limits herein for this test shall not be accepted.

MIL-PRF-19500/255AA
w/AMENDMENT 1

TABLE I. Group A inspection.

Inspection <u>1/</u>	MIL-STD-750		Symbol	Limit		Unit
	Method	Conditions		Min	Max	
<u>Subgroup 1 2/</u>						
Visual and mechanical examination <u>3/</u>	2071					
Solderability <u>3/ 4/</u>	2026	n = 15 leads, c = 0				
Resistance to solvents <u>3/ 4/ 5/</u>	1022	n = 15 devices, c = 0				
* Salt atmosphere (corrosion)	1041	n = 6 devices, c = 0, (For laser marked devices only)				
Temp cycling <u>3/ 4/</u>	1051	Test condition C, 25 cycles. n = 22 devices, c = 0				
Hermetic seal <u>4/ 6/</u> Fine leak Gross leak	1071	n = 22 devices, c = 0				
Electrical measurements <u>4/</u>		Table I , subgroup 2				
Bond strength <u>3/ 4/</u>	2037	Precondition T _A = +250°C at t = 24 hours or T _A = +300°C at t = 2 hours n = 11 wires, c = 0				
Decap internal visual (design verification) <u>4/</u>	2075	n = 4 devices, c = 0				
<u>Subgroup 2</u>						
Thermal impedance <u>7/</u>	3131	See 4.3.3	Z _{θJX}			°C/W
Collector to base cutoff current	3036	Bias condition D; V _{CB} = 75 V dc	I _{CBO1}		10	μA dc
Emitter to base cutoff current	3061	Bias condition D; V _{EB} = 6 V dc	I _{EBO1}		10	μA dc
Breakdown voltage, collector to emitter	3011	Bias condition D; I _C = 10 mA dc; pulsed (see 4.5.1)	V _{(BR)CEO}	50		V dc
Collector to emitter cutoff current	3041	Bias condition C; V _{CE} = 50 V dc	I _{CES}		50	nA dc
Collector to base cutoff current	3036	Bias condition D; V _{CB} = 60 V dc	I _{CBO2}		10	nA dc
Emitter to base cutoff current	3061	Bias condition D; V _{EB} = 4 V dc	I _{EBO2}		10	nA dc
Forward-current transfer ratio 2N2221A, AL, UA, UB, UBC, UBN, and UBCN	3076	V _{CE} = 10 V dc; I _C = 0.1 mA dc	h _{FE1}	30		
2N2222A, AL, UA, UB, UBC, UBN, and UBCN				50		

See footnotes at end of table.

MIL-PRF-19500/255AA
w/AMENDMENT 1

TABLE I. Group A inspection - Continued.

Inspection 1/	MIL-STD-750		Symbol	Limit		Unit
	Method	Conditions		Min	Max	
<u>Subgroup 2</u> - Continued						
Forward-current transfer ratio 2N2221A, AL, UA, UB, UBC, UBN, and UBCN	3076	$V_{CE} = 10 \text{ V dc}; I_C = 1.0 \text{ mA dc}$	h_{FE2}	35	150	
2N2222A, AL, UA, UB, UBC, UBN, and UBCN				75	325	
Forward-current transfer ratio 2N2221A, AL, UA, UB, UBC, UBN, and UBCN	3076	$V_{CE} = 10 \text{ V dc}; I_C = 10 \text{ mA dc}$	h_{FE3}	40		
2N2222A, AL, UA, UB, UBC, UBN, and UBCN				100		
Forward-current transfer ratio 2N2221A, AL, UA, UB, UBC, UBN, and UBCN	3076	$V_{CE} = 10 \text{ V dc}; I_C = 150 \text{ mA dc};$ pulsed (see 4.5.1)	h_{FE4}	40	120	
2N2222A, AL, UA, UB, UBC, UBN, and UBCN				100	300	
Forward-current transfer ratio 2N2221A, AL, UA, UB, UBC, UBN, and UBCN	3076	$V_{CE} = 10 \text{ V dc}; I_C = 500 \text{ mA dc};$ pulsed (see 4.5.1)	h_{FE5}	20		
2N2222A, AL, UA, UB, UBC, UBN, and UBCN				30		
Collector-emitter saturation voltage	3071	$I_C = 150 \text{ mA dc}; I_B = 15 \text{ mA dc};$ pulsed (see 4.5.1)	$V_{CE(sat)1}$		0.3	V dc
Collector-emitter saturation voltage	3071	$I_C = 500 \text{ mA dc}; I_B = 50 \text{ mA dc};$ pulsed (see 4.5.1)	$V_{CE(sat)2}$		1.0	V dc
Base-emitter saturation voltage	3066	Test condition A; $I_C = 150 \text{ mA dc};$ $I_B = 15 \text{ mA dc};$ pulsed (see 4.5.1)	$V_{BE(sat)1}$	0.6	1.2	V dc
Base-emitter saturation voltage	3066	Test condition A; $I_C = 500 \text{ mA dc};$ $I_B = 50 \text{ mA dc};$ pulsed (see 4.5.1)	$V_{BE(sat)2}$		2.0	V dc

See footnotes at end of table.

MIL-PRF-19500/255AA
w/AMENDMENT 1

TABLE I. Group A inspection - Continued.

Inspection ^{1/}	MIL-STD-750		Symbol	Limit		Unit
	Method	Conditions		Min	Max	
<u>Subgroup 3</u>						
High temperature operation Collector to base cutoff current	3036	T _A = +150°C Bias condition D; V _{CB} = 60 V dc	I _{CBO3}		10	μA dc
Low temperature operation Forward-current transfer ratio 2N2221A, AL, UA, UB, UBC, UBN, and UBCN	3076	T _A = -55°C V _{CE} = 10 V dc; I _C = 10 mA dc	h _{FE6}	15		
2N2222A, AL, UA, UB, UBC, UBN, and UBCN				35		
<u>Subgroup 4</u>						
Small-signal short-circuit forward current transfer ratio 2N2221A, AL, UA, UB, UBC, UBN, and UBCN	3206	V _{CE} = 10 V dc; I _C = 1 mA dc; f = 1 kHz	h _{fe}	30		
2N2222A, AL, UA, UB, UBC, UBN, and UBCN				50		
Magnitude of small-signal short-circuit forward current transfer ratio	3306	V _{CE} = 20 V dc; I _C = 20 mA dc; f = 100 MHz	h _{fe}	2.5		
Open circuit output capacitance	3236	V _{CB} = 10 V dc; I _E = 0; 100 kHz ≤ f ≤ 1 MHz	C _{obo}		8	pF
Input capacitance (output open-circuited)	3240	V _{EB} = 0.5 V dc; I _C = 0; 100 kHz ≤ f ≤ 1 MHz	C _{ibo}		25	pF
Saturated turn-on time		(See figure 17)	t _{on}		35	ns
Saturated turn-off time		(See figure 18)	t _{off}		300	ns
<u>Subgroups 5 and 6</u>						
Not required						

^{1/} For sampling plan see MIL-PRF-19500.

^{2/} For resubmission of failed test in subgroup 1 of table I, double the sample size of the failed test or sequence of tests. A failure in table I, subgroup 1 shall not require retest of the entire subgroup. Only the failed test shall be rerun upon submission.

^{3/} Separate samples may be used.

^{4/} Not required for JANS devices.

^{5/} Not required for laser marked devices.

^{6/} This hermetic seal test is an end-point to temp-cycling in addition to electrical measurements.

^{7/} This test required for the following end-point measurements only:

Group B, subgroup 3, 4, and 5 (JANS).

Group B, step 1 (TX and TXV).

Group C, subgroup 2 and 6.

MIL-PRF-19500/255AA
w/AMENDMENT 1

TABLE II. Group D inspection.

Inspection <u>1/ 2/ 3/</u>	MIL-STD-750		Symbol	Limit		Unit
	Method	Conditions		Min	Max	
<u>Subgroup 1 4/</u>						
Neutron irradiation	1017	Neutron exposure $V_{CES} = 0V$				
Collector to base cutoff current	3036	Bias condition D; $V_{CB} = 75 V$ dc	I_{CBO1}		20	μA dc
Emitter to base cutoff current	3061	Bias condition D; $V_{EB} = 6 V$ dc	I_{EBO1}		20	μA dc
Breakdown voltage, collector to emitter	3011	Bias condition D; $I_C = 10$ mA dc; pulsed (see 4.5.1)	$V_{(BR)CEO}$	50		V dc
Collector to emitter cutoff current	3041	Bias condition C; $V_{CE} = 50 V$ dc	I_{CES}		100	nA dc
Collector to base cutoff current	3036	Bias condition D; $V_{CB} = 60 V$ dc	I_{CBO2}		20	nA dc
Emitter to base cutoff current	3061	Bias condition D; $V_{EB} = 4 V$ dc	I_{EBO2}		20	nA dc
Forward-current transfer ratio M through H2N2221A M through H2N2222A	3076	$V_{CE} = 10 V$ dc; $I_C = 0.1$ mA dc	$[h_{FE1}]$ <u>5/</u>	[15] [25]		
Forward-current transfer ratio M through H2N2221A M through H2N2222A	3076	$V_{CE} = 10 V$ dc; $I_C = 1.0$ mA dc	$[h_{FE2}]$ <u>5/</u>	[17.5] [37.5]	150 325	
Forward-current transfer ratio M through H2N2221A M through H2N2222A	3076	$V_{CE} = 10 V$ dc; $I_C = 10$ mA dc	$[h_{FE3}]$ <u>5/</u>	[20] [50]		
Forward-current transfer ratio M through H2N2221A M through H2N2222A	3076	$V_{CE} = 10 V$ dc; $I_C = 150$ mA dc	$[h_{FE4}]$ <u>5/</u>	[20] [50]	120 300	
Forward-current transfer ratio M through H2N2221A M through H2N2222A	3076	$V_{CE} = 10 V$ dc; $I_C = 500$ mA dc	$[h_{FE5}]$ <u>5/</u>	[10] [15]		
Collector-emitter saturation voltage	3071	$I_C = 150$ mA dc; $I_B = 15$ mA dc	$V_{CE(sat)1}$.35	V dc
Collector-emitter saturation voltage	3071	$I_C = 500$ mA dc; $I_B = 50$ mA dc	$V_{CE(sat)2}$		1.15	V dc
Base-emitter saturation voltage	3066	Test condition A; $I_C = 150$ mA dc; $I_B = 15$ mA dc; pulsed (see 4.5.1)	$V_{BE(sat)1}$	0.6	1.38	V dc
Base-emitter saturation voltage	3066	Test condition A; $I_C = 500$ mA dc; $I_B = 50$ mA dc; pulsed (see 4.5.1)	$V_{BE(sat)2}$		2.3	V dc

See footnotes at end of table.

MIL-PRF-19500/255AA
w/AMENDMENT 1

TABLE II. Group D inspection - Continued.

Inspection <u>1/ 2/ 3/</u>	MIL-STD-750		Symbol	Limit		Unit
	Method	Conditions		Min	Max	
<u>Subgroup 2</u>						
Total dose irradiation	1019	Gamma exposure $V_{CES} = 40$ V Condition A				
Collector to base cutoff current	3036	Bias condition D; $V_{CB} = 75$ V dc	I_{CBO1}		20	μ A dc
Emitter to base cutoff current	3061	Bias condition D; $V_{EB} = 6$ V dc	I_{EBO1}		20	μ A dc
Breakdown voltage, collector to emitter	3011	Bias condition D; $I_C = 10$ mA dc; pulsed (see 4.5.1)	$V_{(BR)CEO}$	50		V dc
Collector to emitter cutoff current	3041	Bias condition C; $V_{CE} = 50$ V dc	I_{CES}		100	nA dc
Collector to base cutoff current	3036	Bias condition D; $V_{CB} = 60$ V dc	I_{CBO2}		20	nA dc
Emitter to base cutoff current	3061	Bias condition D; $V_{EB} = 4$ V dc	I_{EBO2}		20	nA dc
Forward-current transfer ratio M through H2N2221A M through H2N2222A	3076	$V_{CE} = 10$ V dc; $I_C = 0.1$ mA dc	$[h_{FE1}]$ <u>5/</u>	[15] [25]		
Forward-current transfer ratio M through H2N2221A M through H2N2222A	3076	$V_{CE} = 10$ V dc; $I_C = 1.0$ mA dc	$[h_{FE2}]$ <u>5/</u>	[17.5] [37.5]	150 325	
Forward-current transfer ratio M through H2N2221A M through H2N2222A	3076	$V_{CE} = 10$ V dc; $I_C = 10$ mA dc	$[h_{FE3}]$ <u>5/</u>	[20] [50]		
Forward-current transfer ratio M through H2N2221A M through H2N2222A	3076	$V_{CE} = 10$ V dc; $I_C = 150$ mA dc	$[h_{FE4}]$ <u>5/</u>	[20] [50]	120 300	
Forward-current transfer ratio M through H2N2221A M through H2N2222A	3076	$V_{CE} = 10$ V dc; $I_C = 500$ mA dc	$[h_{FE5}]$ <u>5/</u>	[10] [15]		
Collector-emitter saturation voltage	3071	$I_C = 150$ mA dc; $I_B = 15$ mA dc	$V_{CE(sat)1}$.35	V dc
Collector-emitter saturation voltage	3071	$I_C = 500$ mA dc; $I_B = 50$ mA dc	$V_{CE(sat)2}$		1.15	V dc

See footnotes at end of table.

MIL-PRF-19500/255AA
w/AMENDMENT 1

TABLE II. Group D inspection - Continued.

Inspection <u>1/</u> <u>2/</u> <u>3/</u>	MIL-STD-750		Symbol	Limit		Unit
	Method	Conditions		Min	Max	
<u>Subgroup 2</u> - Continued						
Base-emitter saturation voltage	3066	Test condition A; $I_C = 150$ mA dc; $I_B = 15$ mA dc; pulsed (see 4.5.1)	$V_{BE(sat)1}$	0.6	1.38	V dc
Base-emitter saturation voltage	3066	Test condition A; $I_C = 500$ mA dc; $I_B = 50$ mA dc; pulsed (see 4.5.1)	$V_{BE(sat)2}$		2.3	V dc

1/ Tests to be performed on all devices receiving radiation exposure.

2/ For sampling plan, see [MIL-PRF-19500](#).

3/ Electrical characteristics apply to the corresponding AL, UA, UB, UBC, UBN, and UBCN suffix versions unless otherwise noted.

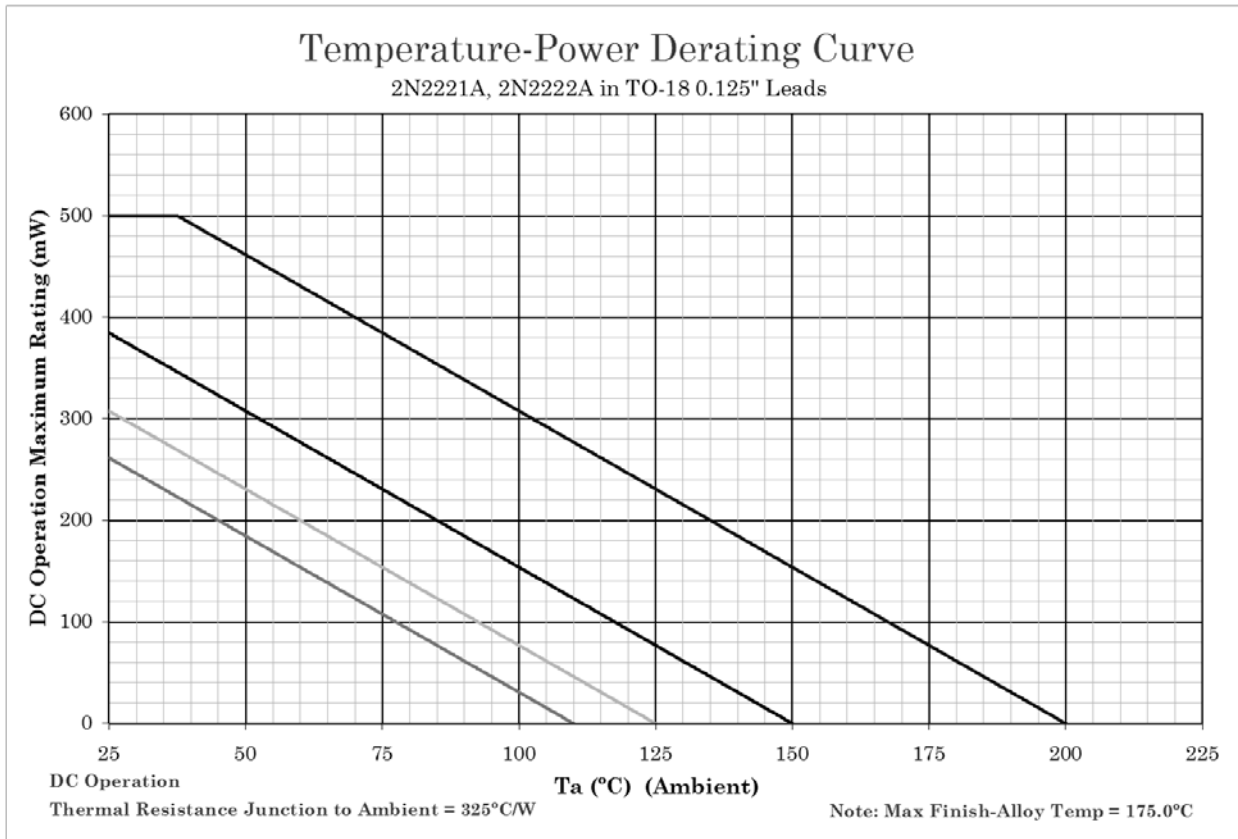
4/ See 6.2.g herein.

5/ See method 1019 of [MIL-STD-750](#) for how to determine $[h_{FE}]$ by first calculating the delta ($1/h_{FE}$) from the pre- and Post-radiation h_{FE} . Notice the $[h_{FE}]$ is not the same as h_{FE} and cannot be measured directly. The $[h_{FE}]$ value can never exceed the pre-radiation minimum h_{FE} that it is based upon.

MIL-PRF-19500/255AA
w/AMENDMENT 1

TABLE III. Group E inspection (all quality levels) - for qualification or re-qualification only.

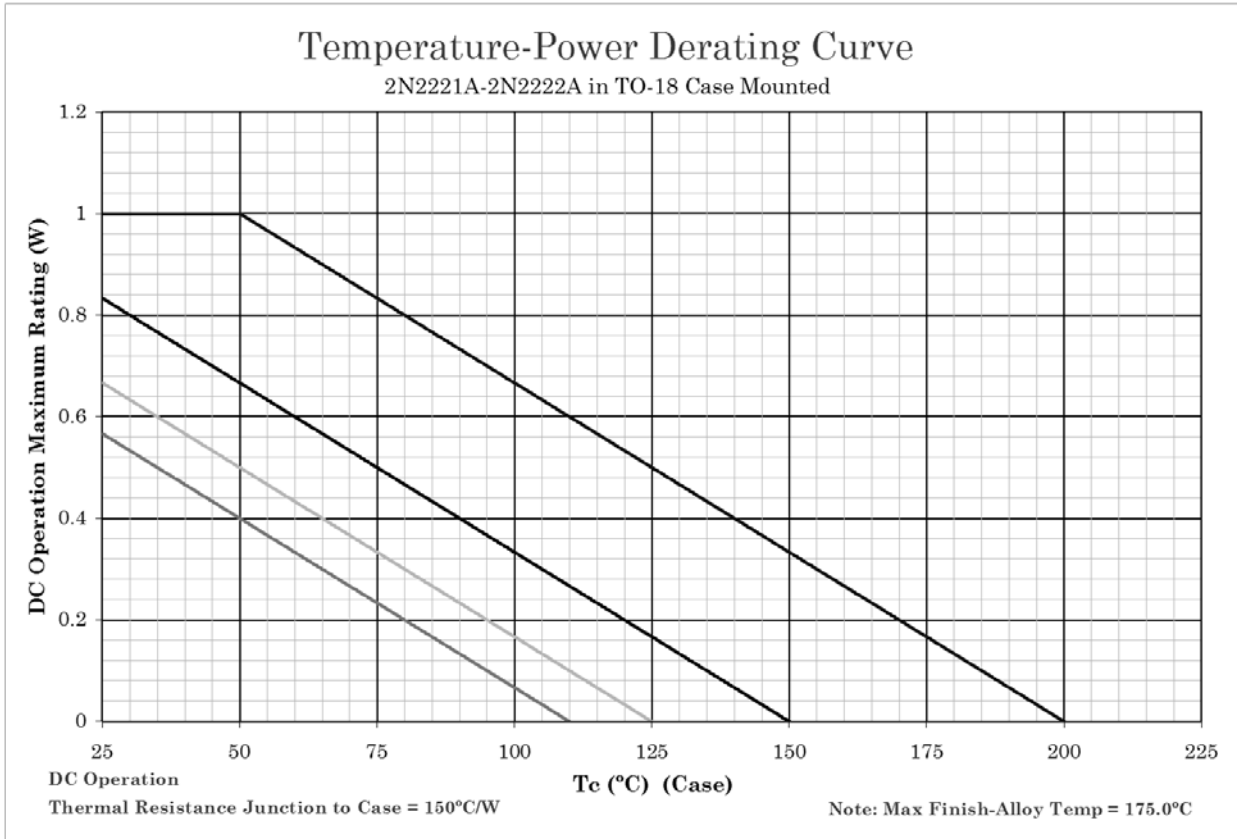
Inspection	MIL-STD-750		Qualification
	Method	Conditions	
<u>Subgroup 1</u>			45 devices c = 0
Temperature cycling (air to air)	1051	Test condition C, 500 cycles	
Hermetic seal	1071		
Fine leak			
Gross leak			
Electrical measurements		See table I , subgroup 2 and 4.5.3 herein	
<u>Subgroup 2</u>			
Intermittent life	1037	Intermittent operation life: $V_{CB} = 10$ V dc, 6,000 cycles. Adjust device current, or power, to achieve a minimum ΔT_J of +100°C	45 devices c = 0
Electrical measurements		See table I , subgroup 2 and 4.5.3 herein	
<u>Subgroup 4</u>			
Thermal resistance	3131	$R_{\theta JSP(IS)}$ can be calculated but shall be measured once in the same package with a similar die size to confirm calculations (may apply to multiple specification sheets) $R_{\theta JSP(AM)}$ need be calculated only	15 devices, c = 0
Thermal impedance curves		See MIL-PRF-19500 , table E-IX, group E, subgroup 4	Sample size N/A
<u>Subgroup 5</u>			
Not applicable			
<u>Subgroup 6</u>			
Electrostatic discharge (ESD)	1020		
<u>Subgroup 8</u>			
Reverse stability	1033	Condition B	45 devices c = 0



NOTES:

1. This is the true inverse of the worst case thermal resistance value. All devices are capable of operating at $\leq T_J$ specified on this curve. Any parallel line to this curve will intersect the appropriate power for the desired maximum T_J allowed.
2. Derate design curve constrained by the maximum junction temperature ($T_J \leq 200^\circ\text{C}$) and power rating specified. (See 1.3 herein.)
3. Derate design curve chosen at $T_J \leq 150^\circ\text{C}$, where the maximum temperature of electrical test is performed.
4. Derate design curve chosen at $T_J \leq 125^\circ\text{C}$, and 110°C to show power rating where most users want to limit T_J in their application.

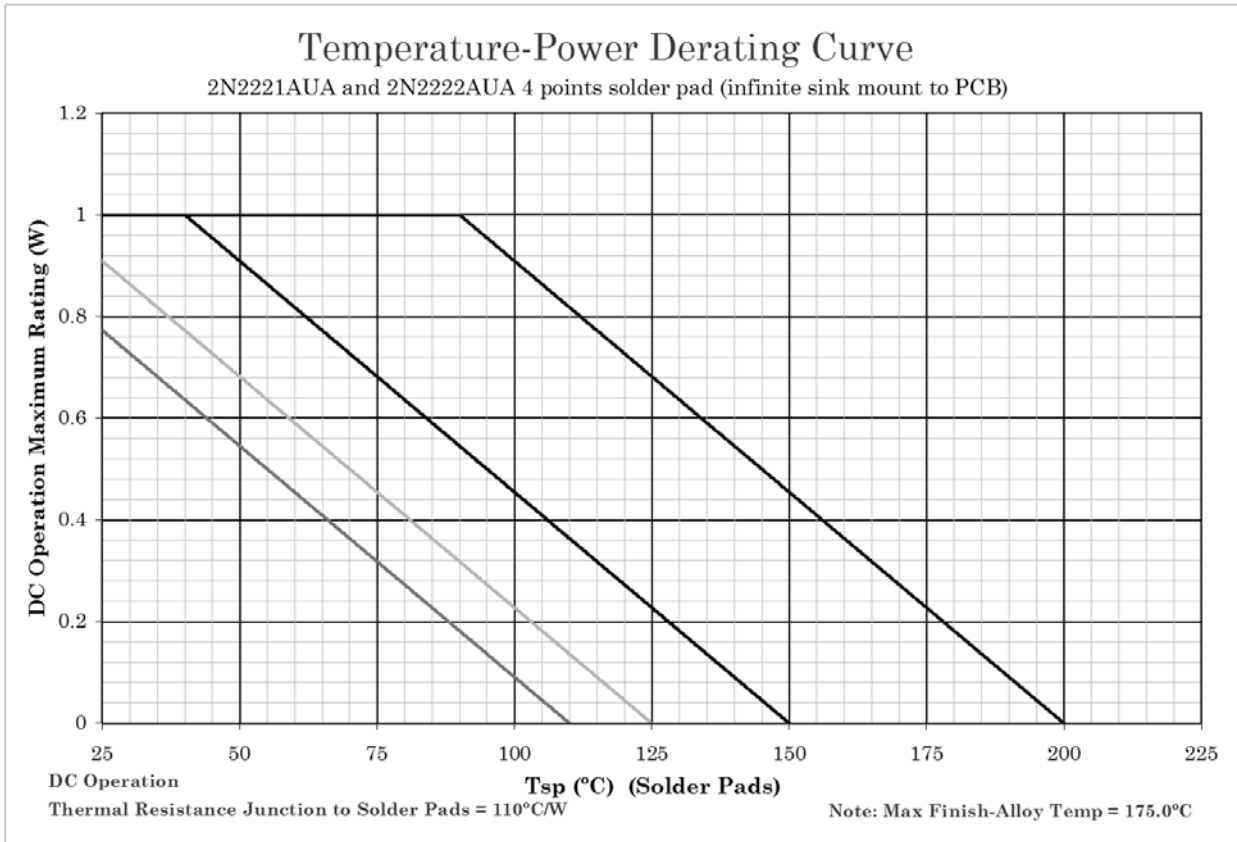
FIGURE 7. Temperature-power derating for 2N2221A, 2N2221AL, 2N2222A, and 2N2222AL (TO-18 package).



NOTES:

1. This is the true inverse of the worst case thermal resistance value. All devices are capable of operating at $\leq T_J$ specified on this curve. Any parallel line to this curve will intersect the appropriate power for the desired maximum T_J allowed.
2. Derate design curve constrained by the maximum junction temperatures and power rating specified. (See 1.3 herein.)
3. Derate design curve chosen at $T_J \leq +150^\circ\text{C}$, where the maximum temperature of electrical test is performed.
4. Derate design curve chosen at $T_J \leq +125^\circ\text{C}$, and $+110^\circ\text{C}$ to show power rating where most users want to limit T_J in their application.

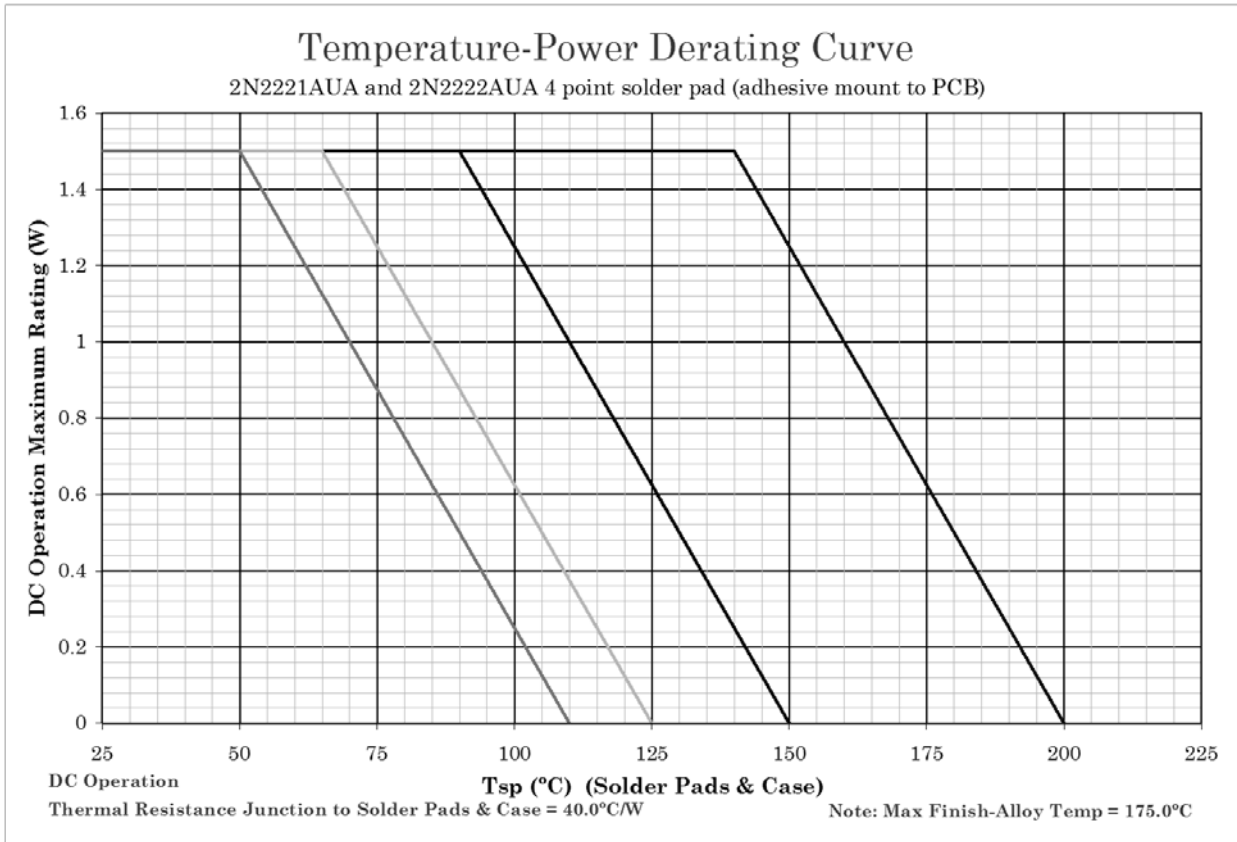
FIGURE 8. Temperature-power derating for 2N2221A, 2N2221AL, 2N2222A, and 2N2222AL (TO-18 package case base mounted).



NOTES:

1. This is the true inverse of the worst case thermal resistance value. All devices are capable of operating at $\leq T_J$ specified on this curve. Any parallel line to this curve will intersect the appropriate power for the desired maximum T_J allowed.
2. Derate design curve constrained by the maximum junction temperatures and power rating specified. (See 1.3 herein.)
3. Derate design curve chosen at $T_J \leq +150^\circ\text{C}$, where the maximum temperature of electrical test is performed.
4. Derate design curve chosen at $T_J \leq +125^\circ\text{C}$, and $+110^\circ\text{C}$ to show power rating where most users want to limit T_J in their application.

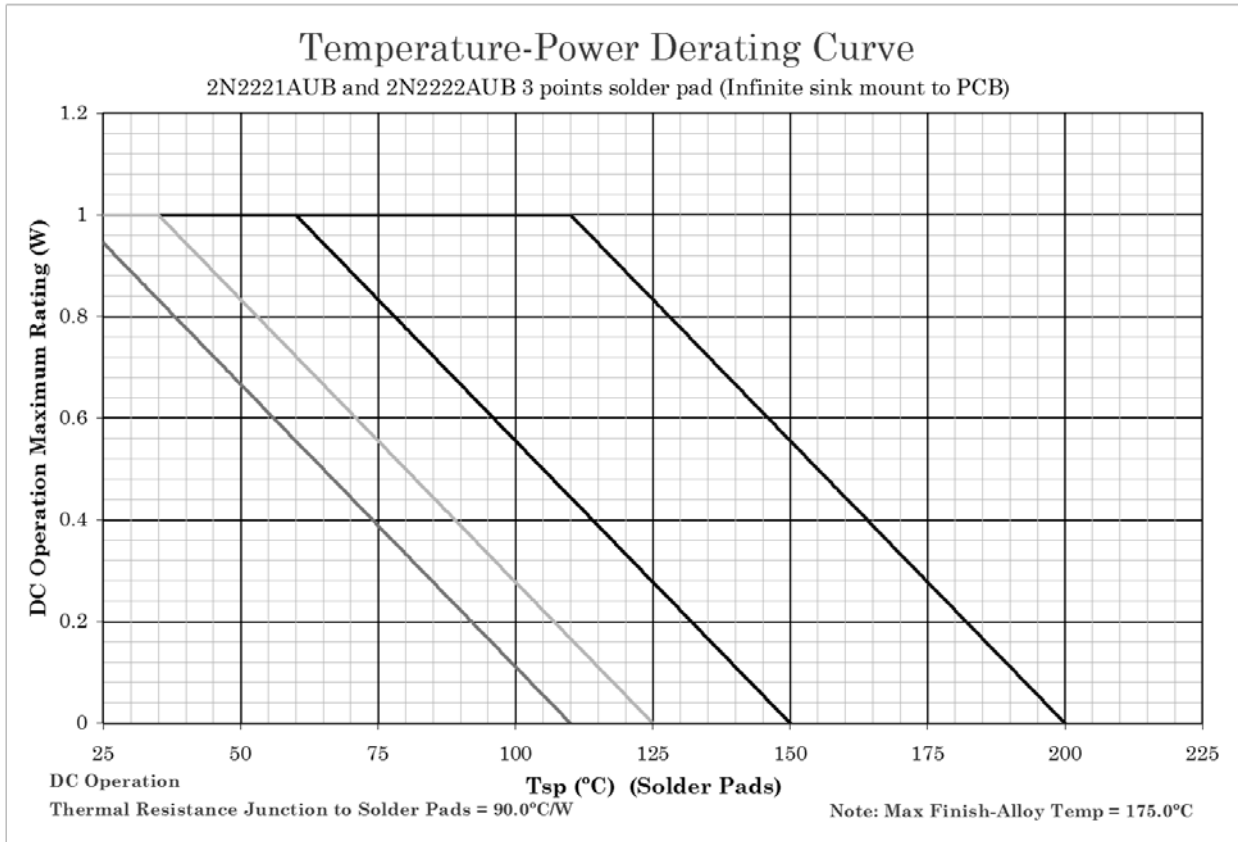
FIGURE 9. Temperature-power derating for 2N2221AUA and 2N2222AUA.



NOTES:

1. This is the true inverse of the worst case thermal resistance value. All devices are capable of operating at $\leq T_J$ specified on this curve. Any parallel line to this curve will intersect the appropriate power for the desired maximum T_J allowed.
2. Derate design curve constrained by the maximum junction temperatures and power rating specified. (See 1.3 herein.)
3. Derate design curve chosen at $T_J \leq +150^\circ\text{C}$, where the maximum temperature of electrical test is performed.
4. Derate design curve chosen at $T_J \leq +125^\circ\text{C}$, and $+110^\circ\text{C}$ to show power rating where most users want to limit T_J in their application.

FIGURE 10. Temperature-power derating for 2N2221AUA and 2N2222AUA.



NOTES:

1. This is the true inverse of the worst case thermal resistance value. All devices are capable of operating at $\leq T_J$ specified on this curve. Any parallel line to this curve will intersect the appropriate power for the desired maximum T_J allowed.
2. Derate design curve constrained by the maximum junction temperatures and power rating specified. (See 1.3 herein.)
3. Derate design curve chosen at $T_J \leq +150^\circ\text{C}$, where the maximum temperature of electrical test is performed.
4. Derate design curve chosen at $T_J \leq +125^\circ\text{C}$, and $+110^\circ\text{C}$ to show power rating where most users want to limit T_J in their application.

FIGURE 11. Temperature-power derating curve for 2N2221AUB and UBN and 2N2222AUB and UBCN.

Maximum Thermal Impedance
2N2221A and 2N2222A T0-18 package with 0.125" lead mount

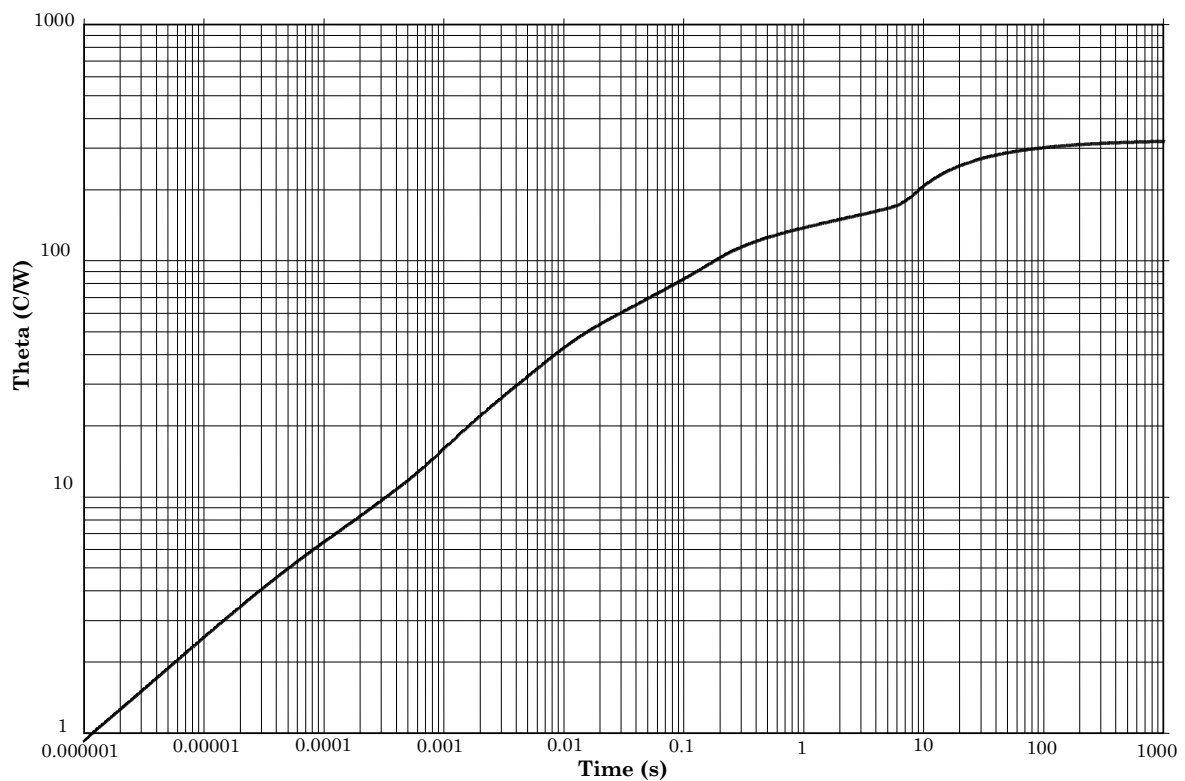


FIGURE 12. Thermal impedance graph ($R_{\theta JA}$) for 2N2221A, 2N2221AL, 2N2222A, and 2N2222AL (TO-18).

Maximum Thermal Impedance
2N2221A and 2N2222A TO-18 package with case base in copper heat sink

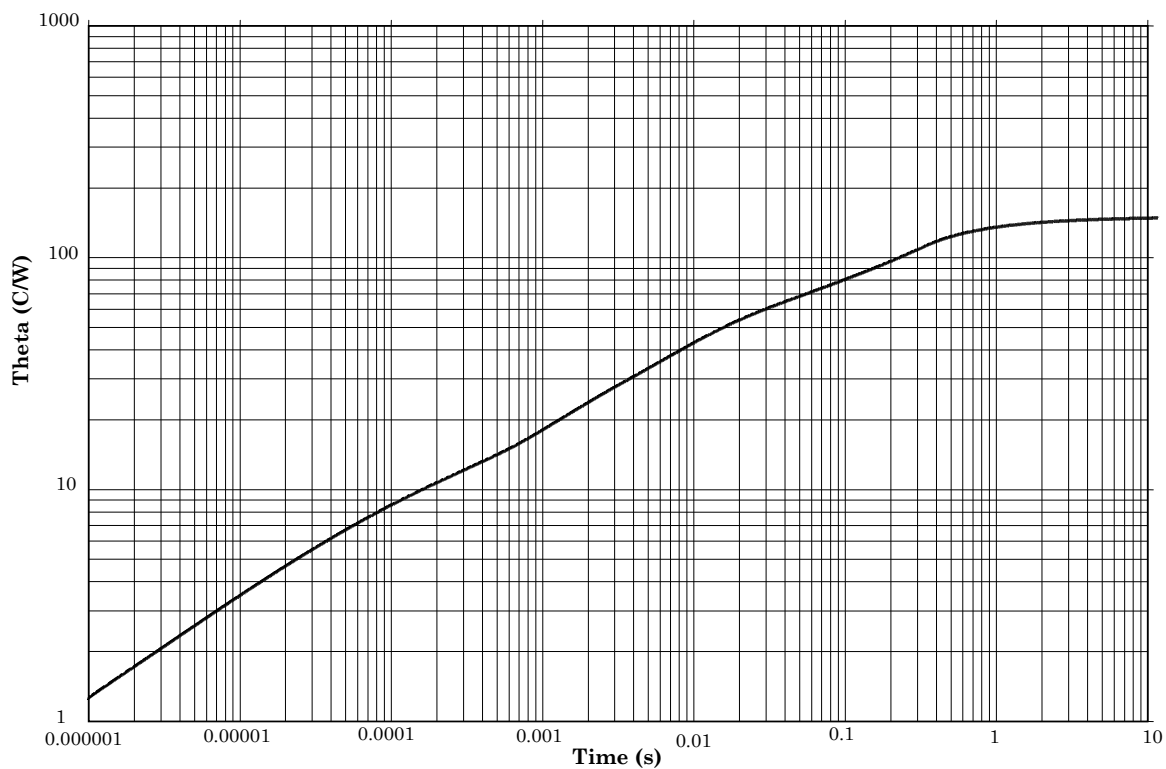


FIGURE 13. Thermal impedance graph ($R_{\theta JC}$) for 2N2221A, 2N2221AL, 2N2222A, and 2N2222AL (TO-18).

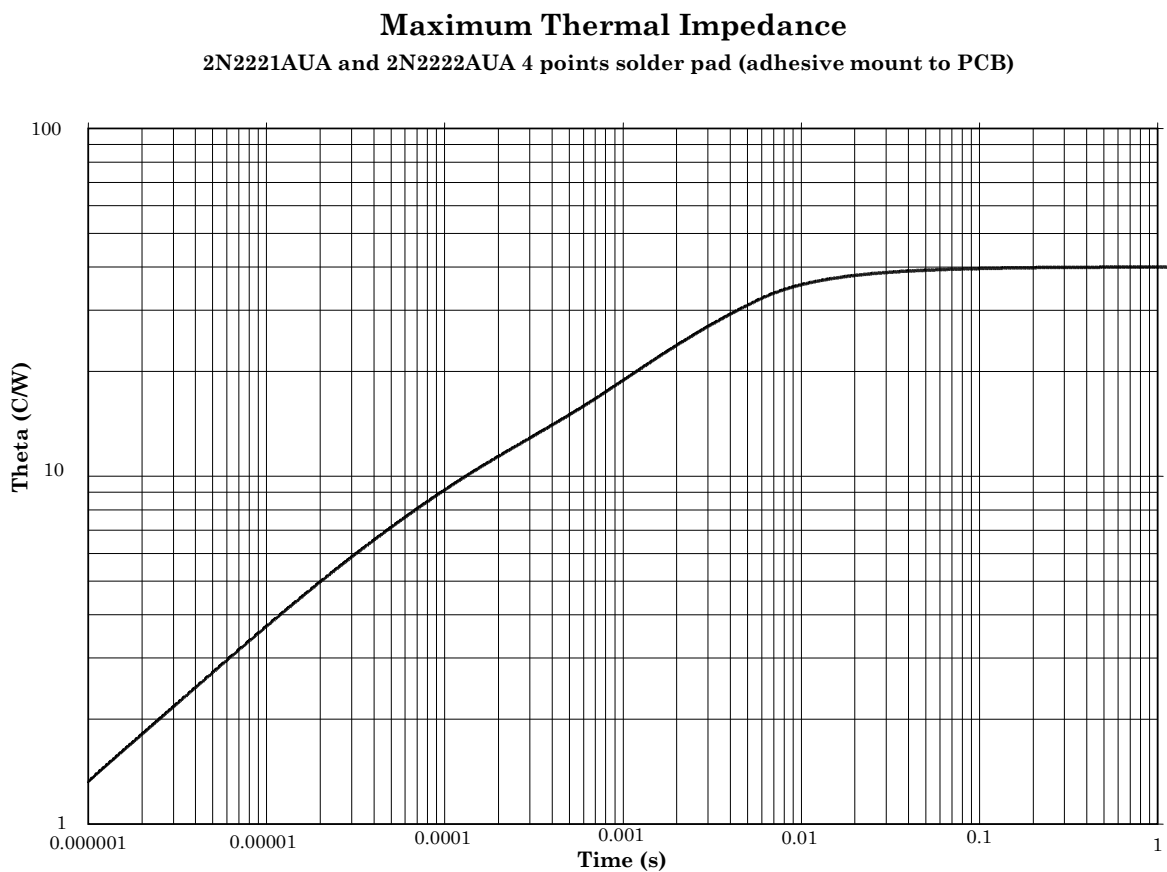


FIGURE 14. Thermal impedance graph ($R_{\theta JSP(AM)}$) for 2N2221AUA and 2N2222AUA.

Maximum Thermal Impedance

2N2221AUA and 2N2222AUA 4 points solder pads (infinite sink mount to PCB)

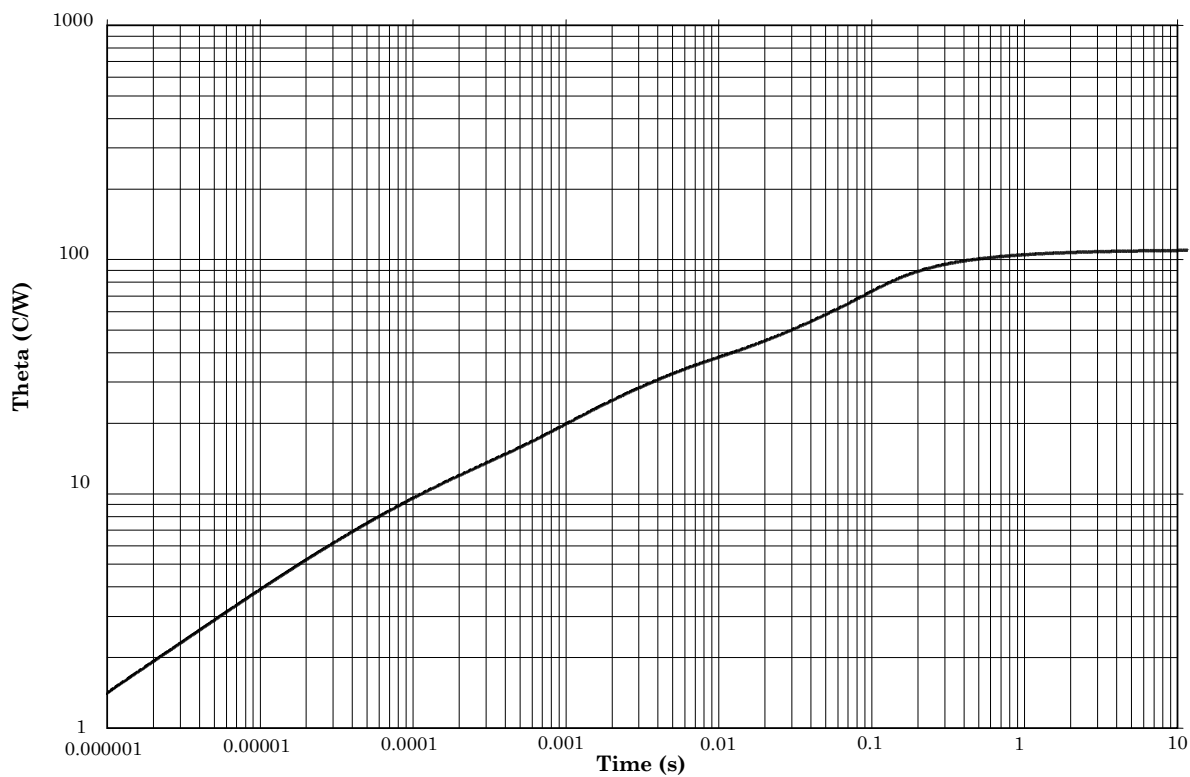


FIGURE 15. Thermal impedance graph ($R_{\theta JSP(I S)}$) for 2N2221AUA and 2N2222AUA.

Maximum Thermal Impedance
2N2221AUB and 2N2222AUB 3 points solder pad (infinite sink mount) to PCB

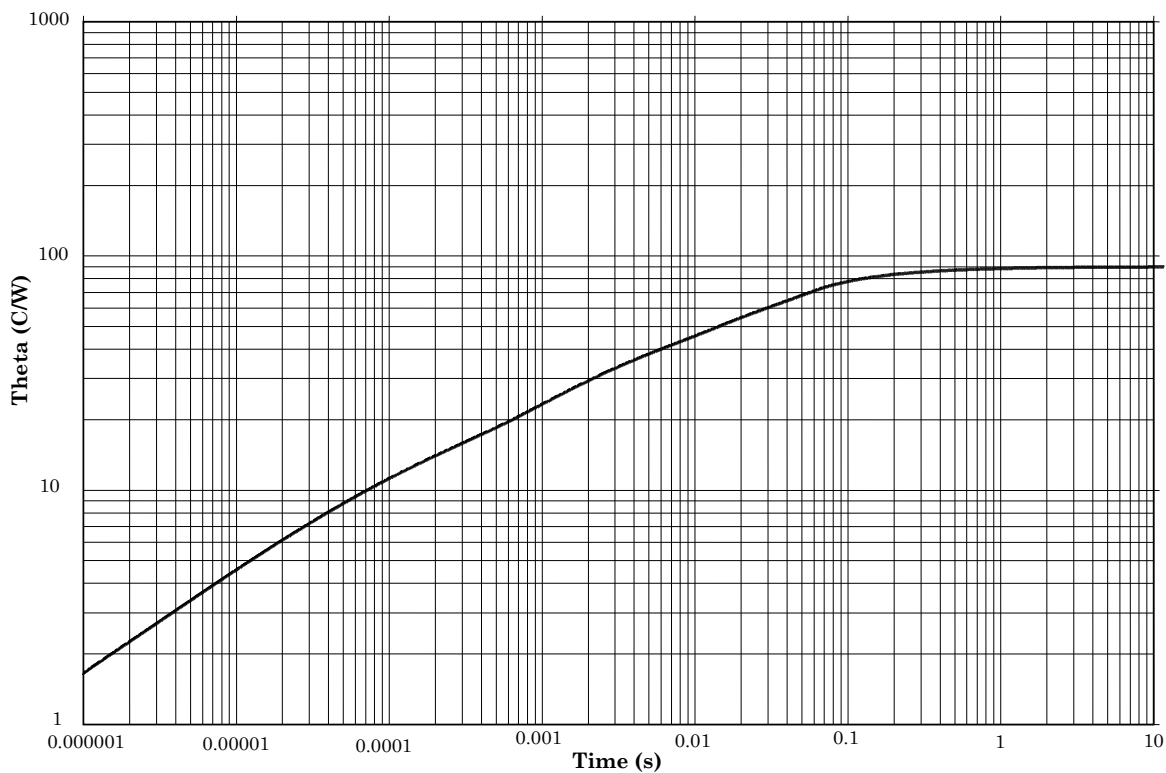
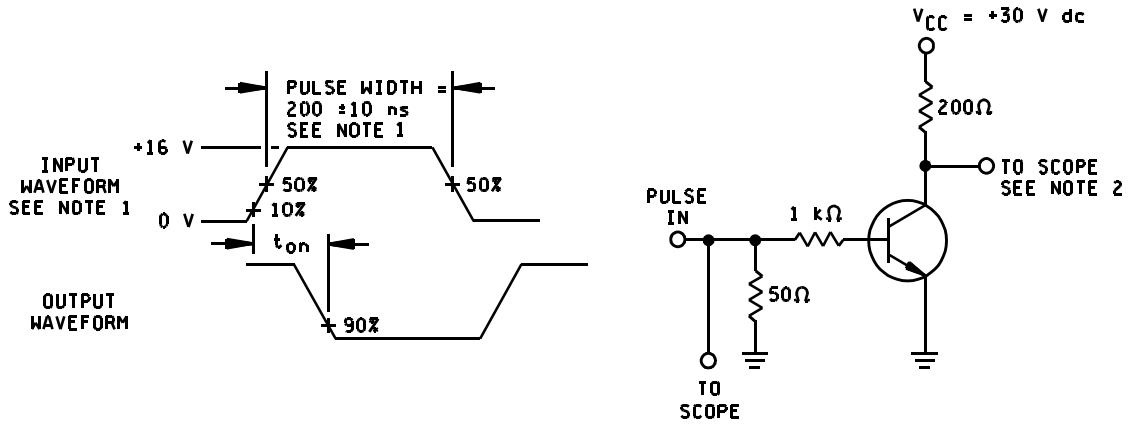


FIGURE 16. Thermal impedance graph ($R_{\theta JSP(IIS)}$) for 2N2221AUB and UBN and 2N2222AUB and UBCN.

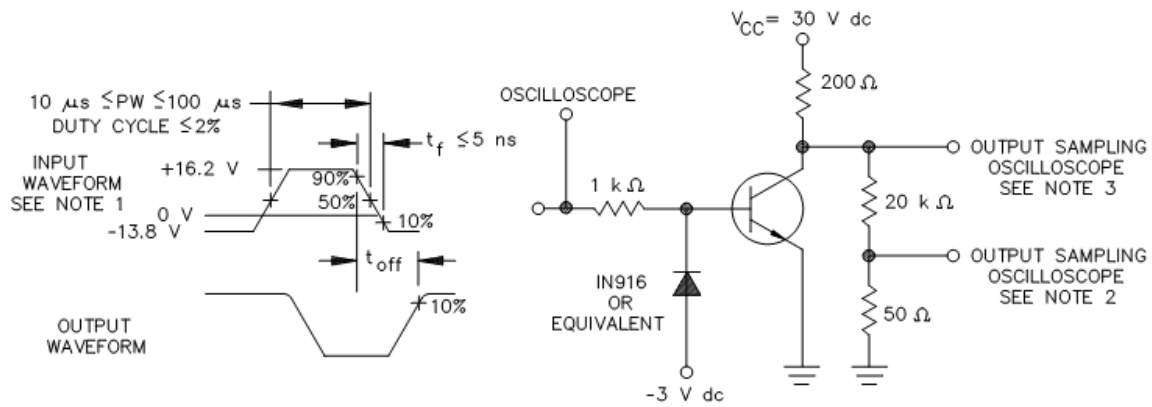
MIL-PRF-19500/255AA
w/AMENDMENT 1



NOTES:

1. The rise time (t_r) of the applied pulse shall be $\leq 2.0 \text{ ns}$, duty cycle ≤ 2 percent, and the generator source impedance shall be 50Ω .
2. Sampling oscilloscope: $Z_{IN} \geq 100 \text{ k}\Omega$, $C_{IN} \leq 12 \text{ pF}$, rise time $\leq 5 \text{ ns}$.

FIGURE 17. Saturated turn-on switching time test circuit.



NOTES:

1. The rise time (t_r) of the applied pulse shall be $\leq 2.0 \text{ ns}$, duty cycle ≤ 2 percent, and the generator source impedance shall be 50Ω .
2. Sampling oscilloscope: $Z_{IN} \geq 100 \text{ k}\Omega$, $C_{IN} \leq 12 \text{ pF}$, rise time $\leq 5 \text{ ns}$.
3. Alternate test point for high impedance attenuating probe.

FIGURE 18. Saturated turn-off switching time test circuit.

5. PACKAGING

5.1 Packaging. For acquisition purposes, the packaging requirements shall be as specified in the contract or order (see 6.2). When packaging of materiel is to be performed by DoD or in-house contractor personnel, these personnel need to contact the responsible packaging activity to ascertain packaging requirements. Packaging requirements are maintained by the Inventory Control Point's packaging activities within the Military Service or Defense Agency, or within the Military Service's system commands. Packaging data retrieval is available from the managing Military Department's or Defense Agency's automated packaging files, CD-ROM products, or by contacting the responsible packaging activity.

6. NOTES

(This section contains information of a general or explanatory nature that may be helpful, but is not mandatory. The notes specified in MIL-PRF-19500 are applicable to this specification.)

6.1 Intended use. Semiconductors conforming to this specification are intended for original equipment design applications and logistic support of existing equipment.

6.2 Acquisition requirements. Acquisition documents should specify the following:

- a. Title, number, and date of this specification.
- b. Packaging requirements (see 5.1).
- c. Lead finish (see 3.4.1).
- d. Product assurance level and type designator.
- e. For die acquisition, the JANHC or JANKC letter version shall be specified (see figures 4, 5, and 6) as well as the RHA designer, if applicable. The JANHCA/JANKCA die version is obsolete as of the date of this revision. Other letter versions should be used.
- f. Surface mount designation if applicable.
- g. For acquisition of RHA designated devices, table II, subgroup 1 testing of group D herein is optional. If subgroup 1 is desired, it must be specified in the contract.

6.3 Qualification. With respect to products requiring qualification, awards will be made only for products which are, at the time of award of contract, qualified for inclusion in Qualified Manufacturers List (QML 19500) whether or not such products have actually been so listed by that date. The attention of the contractors is called to these requirements, and manufacturers are urged to arrange to have the products that they propose to offer to the Federal Government tested for qualification in order that they may be eligible to be awarded contracts or orders for the products covered by this specification. Information pertaining to qualification of products may be obtained from DLA Land and Maritime, ATTN: VQE, P.O. Box 3990, Columbus, OH 43218-3990 or e-mail vqe.chief@dla.mil. An online listing of products qualified to this specification may be found in the Qualified Products Database (QPD) at <https://assist.dla.mil>.

6.4 Supersession data. Devices covered by this specification supersede the manufacturers' and users' Part or Identifying Number (PIN). The term PIN is equivalent to the term part number which was previously used in this specification. This information in no way implies that manufacturers' PIN's are suitable as a substitute for the military PIN.

MIL-PRF-19500/255AA
w/AMENDMENT 1

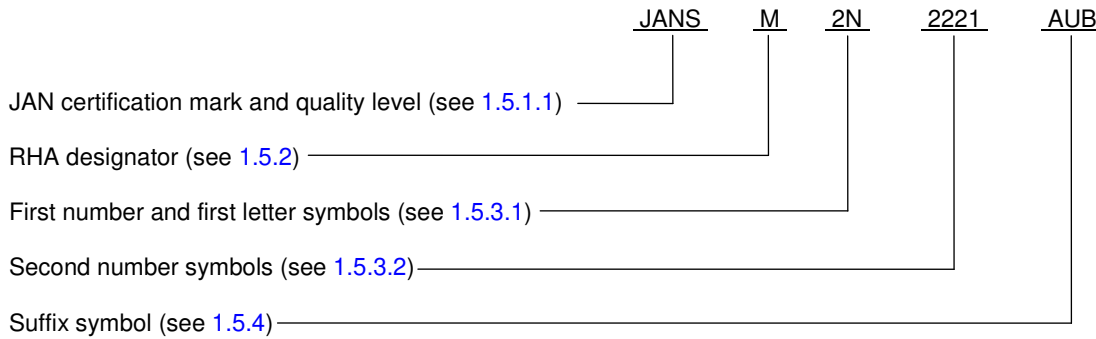
6.5 Suppliers of JANHC and JANKC die. The qualified JANHC and JANKC suppliers with the applicable letter version (example JANHCB2N2221A) will be identified on the QML. The JANHCA/JANKCA die version is obsolete as of the date of this revision.

Die ordering information (1)			
PIN	Manufacturer		
	43611	34156	52GC4
2N2221A 2N2222A	JANHCB2N2221A JANHCB2N2222A	JANHCC2N2221A JANHCC2N2222A	JANHCD2N2221A JANHCD2N2222A

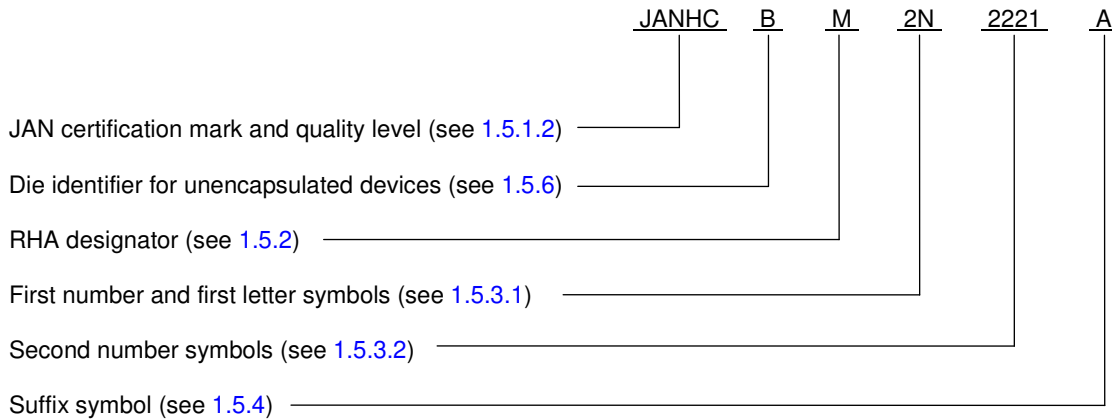
(1) For JANKC level, replace JANHC with JANKC.

6.6 PIN construction example.

6.6.1 Encapsulated devices The PINs for encapsulated devices are constructed using the following form.



6.6.2 Unencapsulated devices. The PINs for un-encapsulated devices are constructed using the following form.



MIL-PRF-19500/255AA
w/AMENDMENT 1

6.7 List of PINs.

6.7.1 PINs for encapsulated devices. The following is a list of possible PINs for encapsulated devices available on this specification sheet.

PINs for type 2N2221A and 2N2222A.			
JAN2N2221A	JANTX2N2221A	JANTXV#2N2221A	JANS#2N2221A
JAN2N2222A	JANTX2N2222A	JANTXV#2N2222A	JANS#2N2222A
JAN2N2221AL	JANTX2N2221AL	JANTXV#2N2221AL	JANS#2N2221AL
JAN2N2222AL	JANTX2N2222AL	JANTXV#2N2222AL	JANS#2N2222AL
JAN2N2221AUA	JANTX2N2221AUA	JANTXV#2N2221AUA	JANS#2N2221AUA
JAN2N2222AUA	JANTX2N2222AUA	JANTXV#2N2222AUA	JANS#2N2222AUA
JAN2N2221AUB	JANTX2N2221AUB	JANTXV#2N2221AUB	JANS#2N2221AUB
JAN2N2222AUB	JANTX2N2222AUB	JANTXV#2N2222AUB	JANS#2N2222AUB
JAN2N2221AUBC	JANTX2N2221AUBC	JANTXV#2N2221AUBC	JANS#2N2221AUBC
JAN2N2222AUBC	JANTX2N2222AUBC	JANTXV#2N2222AUBC	JANS#2N2222AUBC
JAN2N2221AUBN	JANTX2N2221AUBN	JANTXV#2N2221AUBN	JANS#2N2221AUBN
JAN2N2222AUBN	JANTX2N2222AUBN	JANTXV#2N2222AUBN	JANS#2N2222AUBN
JAN2N2221AUBCN	JANTX2N2221AUBCN	JANTXV#2N2221AUBCN	JANS#2N2221AUBCN
JAN2N2222AUBCN	JANTX2N2222AUBCN	JANTXV#2N2222AUBCN	JANS#2N2222AUBCN

(1) The number sign (#) represent one of eight RHA designators available (M, D, P, L, R, F, G, or H). The PIN is also available without a RHA designator.

6.7.2 PINs for unencapsulated devices (die). The following is a list of possible PINs for unencapsulated devices available on this specification sheet.

Quality level HC	Quality level KC
JANHCB#2N2221A	JANKCB#2N2221A
JANHCB#2N2222A	JANKCB#2N2222A
JANHCC#2N2221A	JANKCC#2N2221A
JANHCC#2N2222A	JANKCC#2N2222A
JANHCD#2N2221A	JANKCD#2N2221A
JANHCD#2N2222A	JANKCD#2N2222A

(1) The number sign (#) represents one of eight RHA designators available (M, D, P, L, R, F, G, or H). The PIN is also available without a RHA designator.

6.8 Changes from previous issue. The margins of this specification are marked with asterisks to indicate where changes from the previous issue were made. This was done as a convenience only and the Government assumes no liability whatsoever for any inaccuracies in these notations. Bidders and contractors are cautioned to evaluate the requirements of this document based on the entire content irrespective of the marginal notations and relationship to the previous issue.

MIL-PRF-19500/255AA
w/AMENDMENT 1

Custodians:
Army - CR
Navy - EC
Air Force - 85
NASA - NA
DLA - CC

Preparing activity:
DLA - CC

(Project 5961-2016-039)

Review activities:
Army - AR, MI, SM
Navy - AS, MC
Air Force - 19, 71, 99

NOTE: The activities listed above were interested in this document as of the date of this document. Since organizations and responsibilities can change, you should verify the currency of the information above using the ASSIST Online database at <https://assist.dla.mil>.