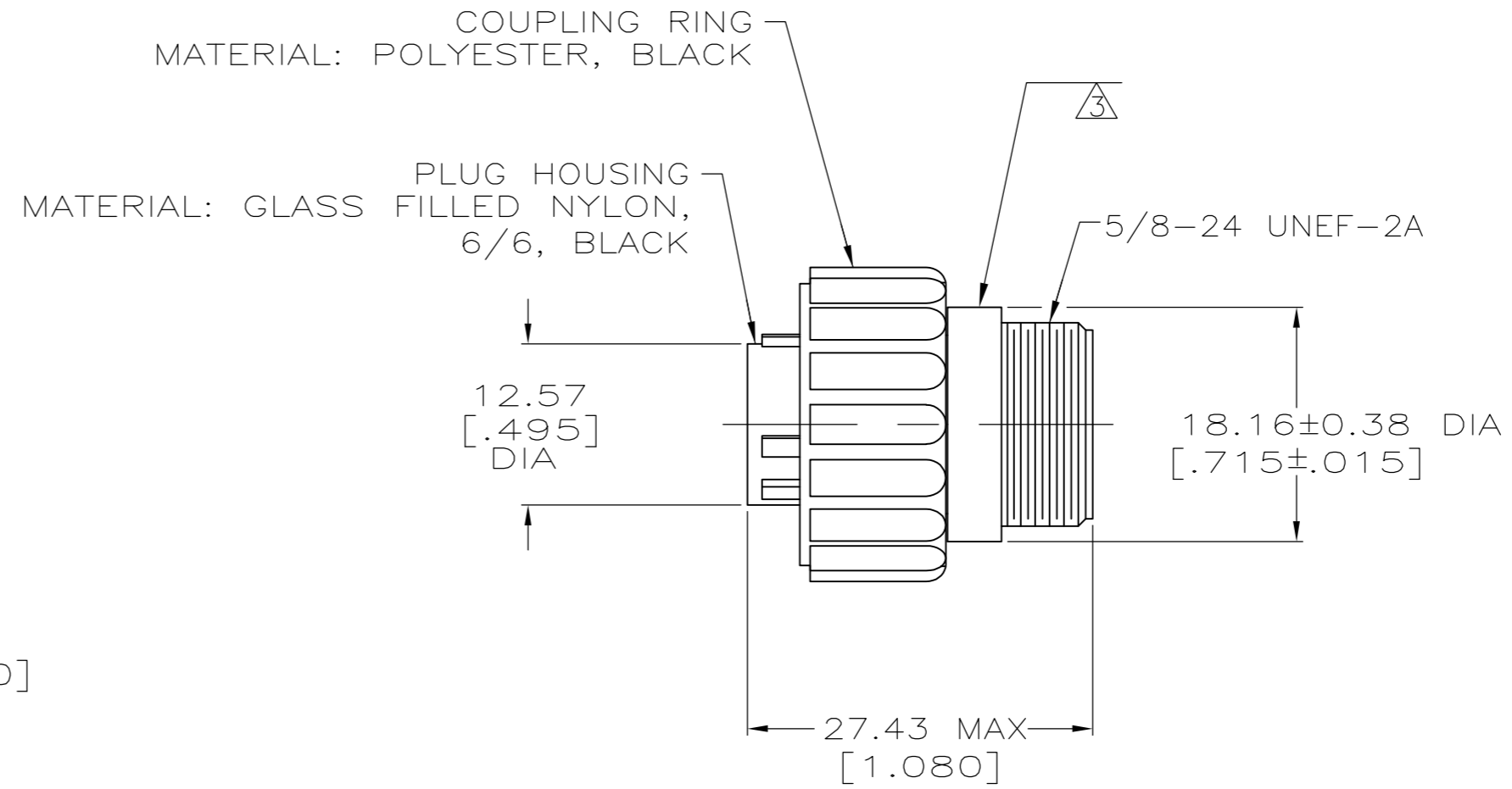
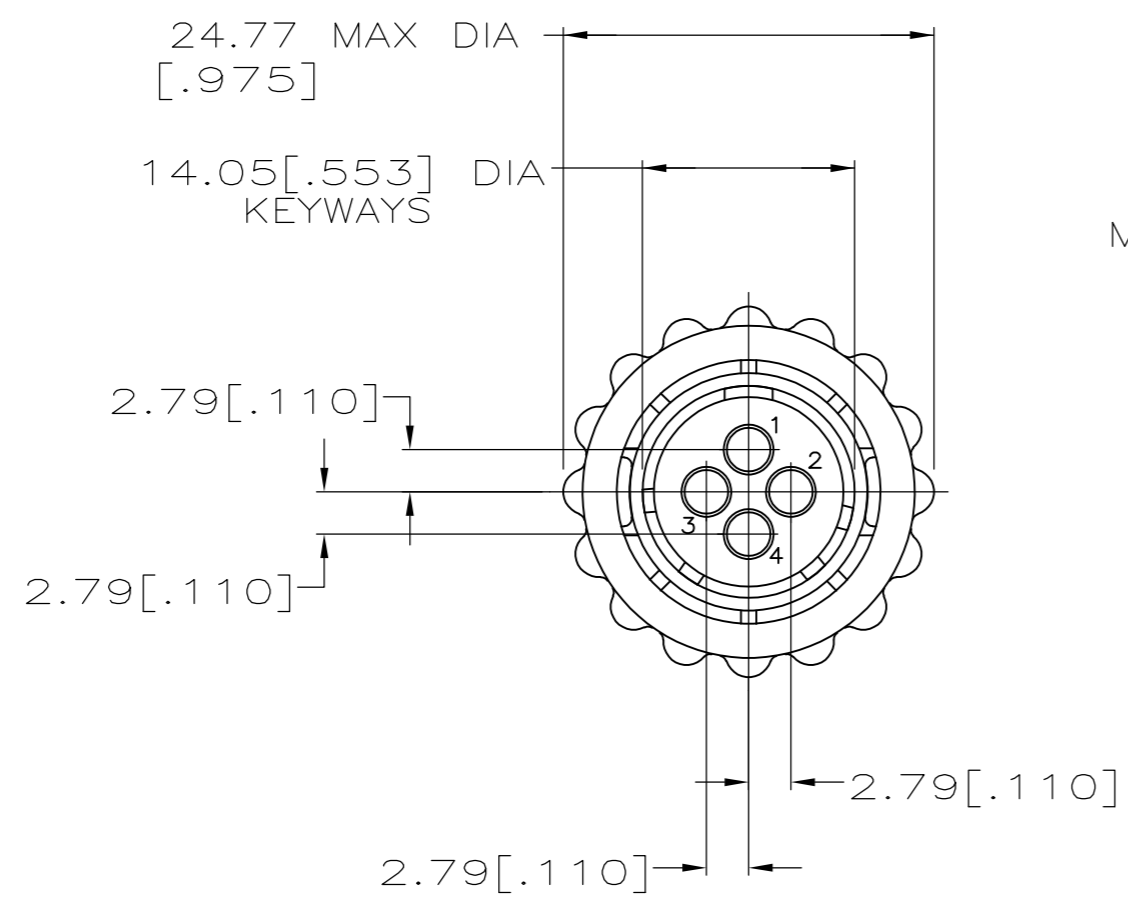


THIS DRAWING IS UNPUBLISHED. RELEASED FOR PUBLICATION  
 © COPYRIGHT - By - ALL RIGHTS RESERVED.

LOC		DIST		REVISIONS			
P	LTR	DESCRIPTION		DATE	DWN	APVD	
FT	4	H1	REVISED PER ECO-11-004587		11MAR11	RK	HMR



**NOTES:**

- CAVITY IDENTIFICATION ON FRONT AND REAR FACE.
  - WILL ACCEPT FOUR (4) MULTIMATE CONTACTS.
- MOLDED PART NUMBER THIS SURFACE. PART NUMBER MAY ALSO APPEAR ON COUPLING RING MATING FACE.

SMALL PACK	206060-2
STANDARD	206060-1
PACKAGING	PART NO.

THIS DRAWING IS A CONTROLLED DOCUMENT.		DWN	D.GELTZ	07/26/93	TE Connectivity																		
		CHK	R.STONE	08/11/93																			
DIMENSIONS: mm		TOLERANCES UNLESS OTHERWISE SPECIFIED:		NAME																			
<table border="1"> <tr><td>0 PLC</td><td>±</td><td>-</td></tr> <tr><td>1 PLC</td><td>±</td><td>-</td></tr> <tr><td>2 PLC</td><td>±</td><td>0.13 [.005]</td></tr> <tr><td>3 PLC</td><td>±</td><td>-</td></tr> <tr><td>4 PLC</td><td>±</td><td>-</td></tr> <tr><td>ANGLES</td><td>±</td><td>-</td></tr> </table>		0 PLC	±	-	1 PLC	±	-	2 PLC	±	0.13 [.005]	3 PLC	±	-	4 PLC	±	-	ANGLES	±	-	PRODUCT SPEC		108-10024	
0 PLC	±	-																					
1 PLC	±	-																					
2 PLC	±	0.13 [.005]																					
3 PLC	±	-																					
4 PLC	±	-																					
ANGLES	±	-																					
MATERIAL SEE		FINISH -		APPLICATION SPEC -																			
		WEIGHT -		SIZE A2																			
		CUSTOMER DRAWING		CAGE CODE 00779																			
		SCALE 2:1		DRAWING NO C=206060																			
		SHEET 1 OF 1		RESTRICTED TO -																			
		REV H1																					