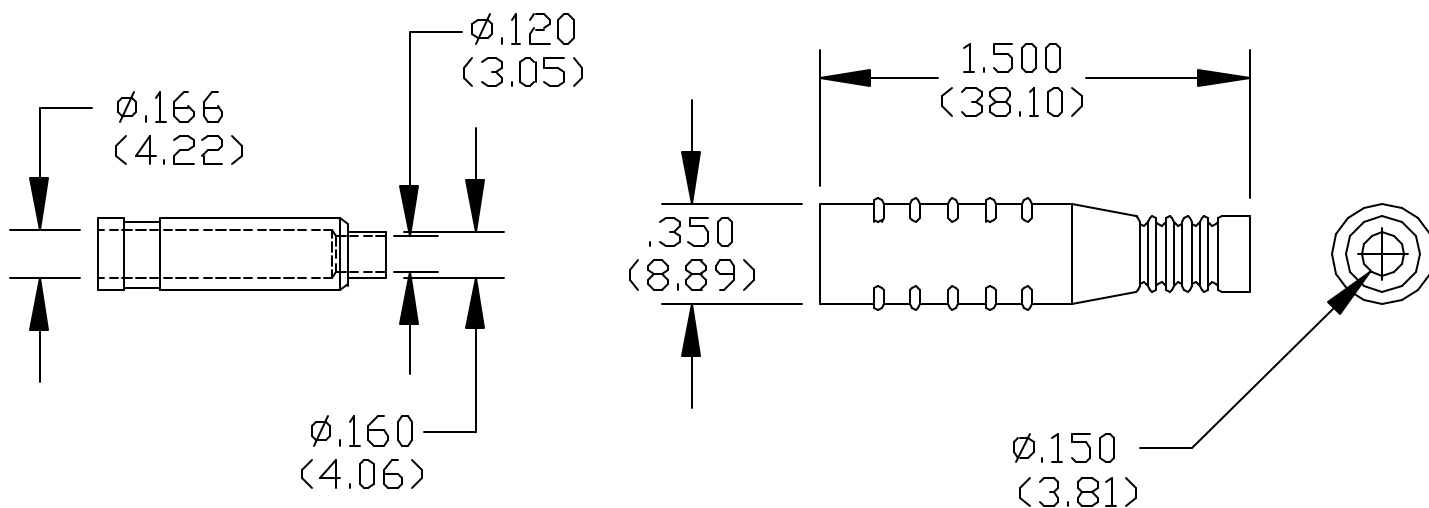


Model 5168 Do-It-Yourself In-Line Banana Jack With Flexible Boot



FEATURES:

- Ideal for making test cables and field repairs.
- Use with Model #5170 Banana Plug to make extension cables.
- Snap-on two piece design allows the wire to be crimped or soldered.
- Part will accept 14, 16 AWG wire, crimp or solder connection.

MATERIALS:

In-Line Banana Jack

Brass per QQ-B-626, Alloy 360, ½ Hard.

Insulation: Flexible PVC

Marking: "POMONA"

Finish: Nickel plated per QQ-N-290, Class 2, 200/300 micro-inches.

RATINGS: (Independent of Wire)

Operating Temperature: +50°C. (+122°F.) Max.

Voltage: Hand-held testing: 30VAC/60VDC Max.

Hands free testing in controlled voltage environments: 5000 WVDC Max.

Current: 15 Amperes.

ORDERING INFORMATION: Model 5168-*

*=Color, -0 Black, -2 Red

Ordering Example: 5168-2, Color is Red

Colors other than those specified are available on request.

All dimensions are in inches. Tolerances (except noted): .xx = ±.02" (.51 mm), .xxx = ±.005" (.127 mm).

All specifications are to the latest revisions. Specifications are subject to change without notice.

Registered trademarks are the property of their respective companies. Made in USA