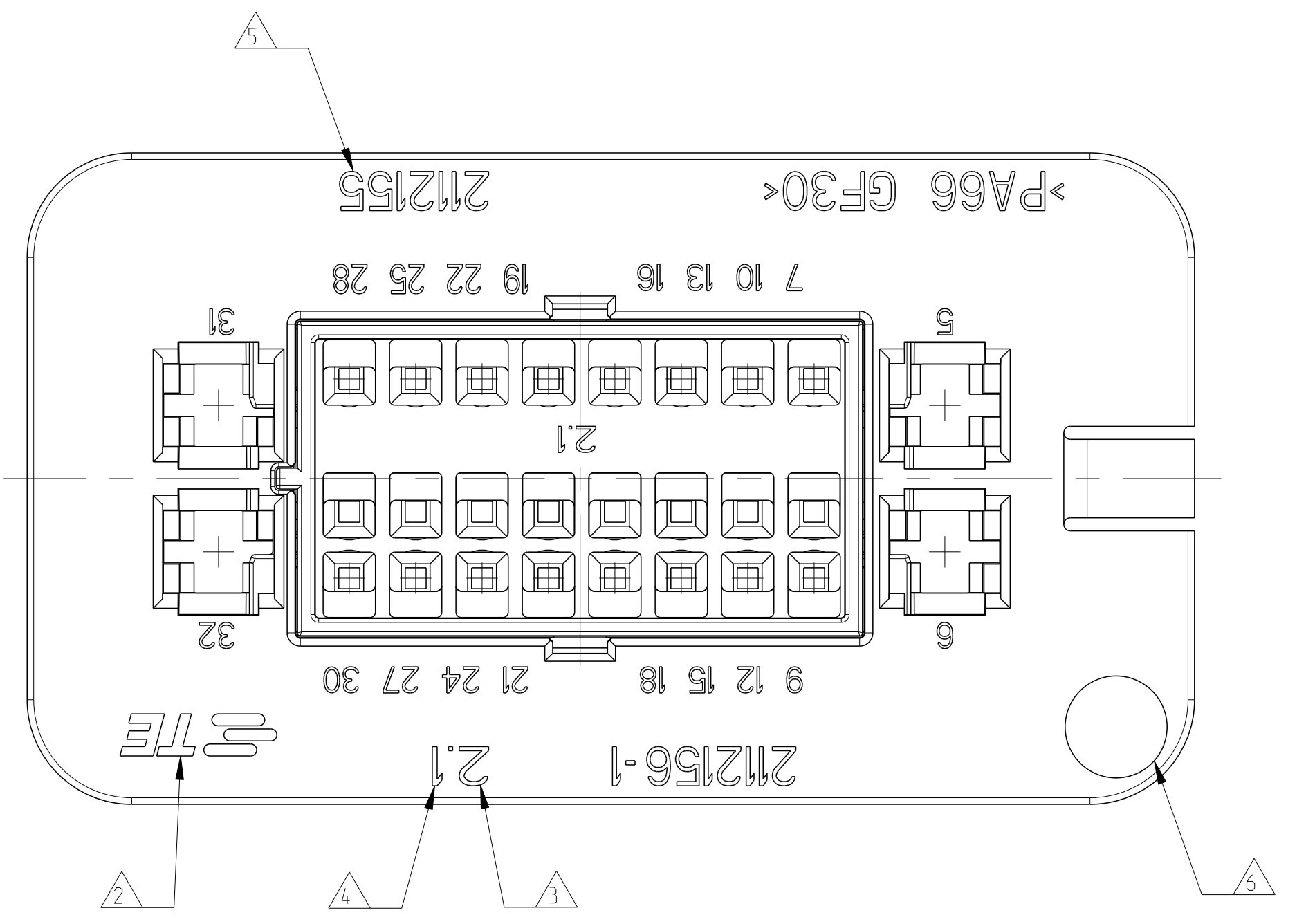
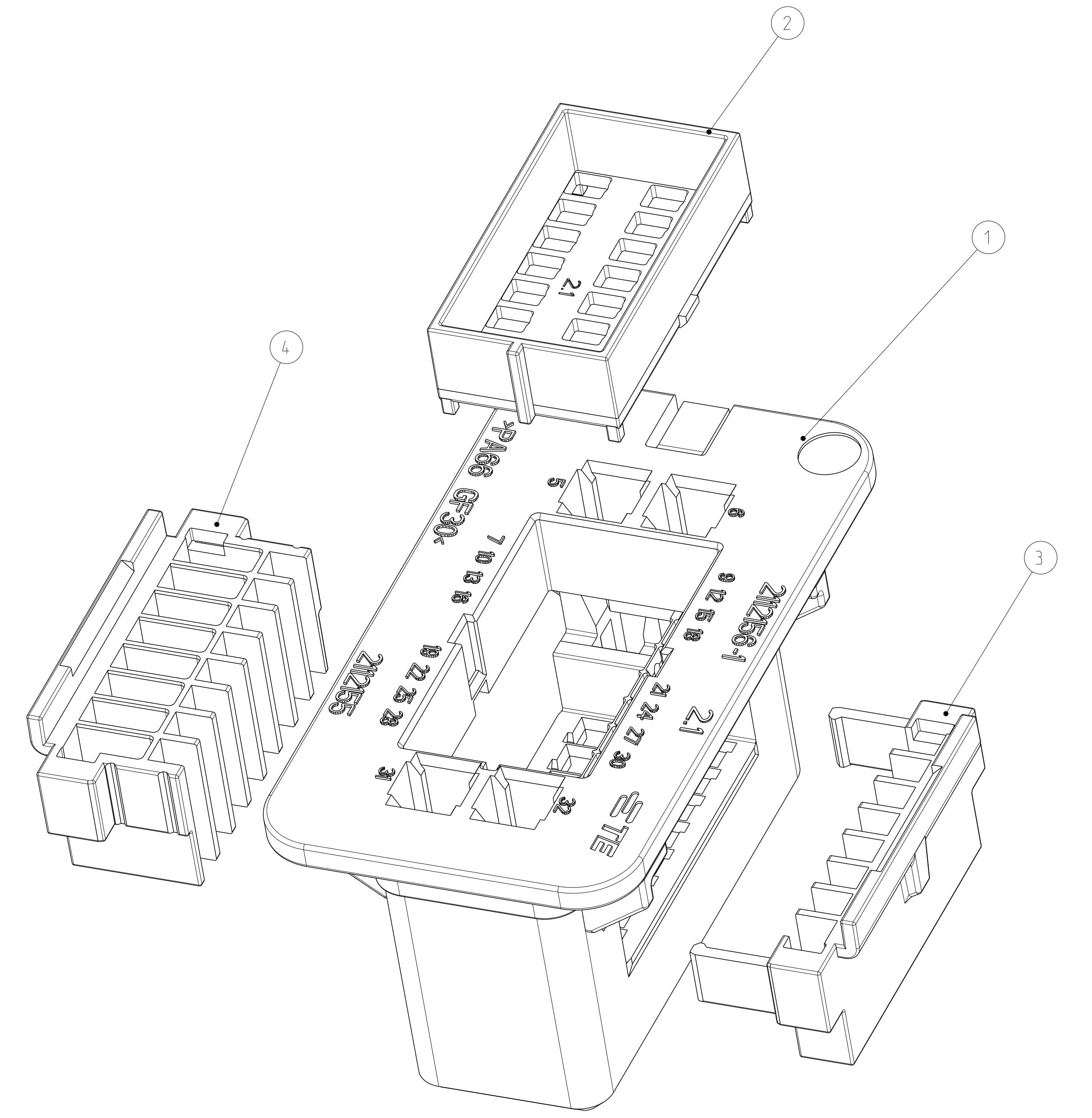
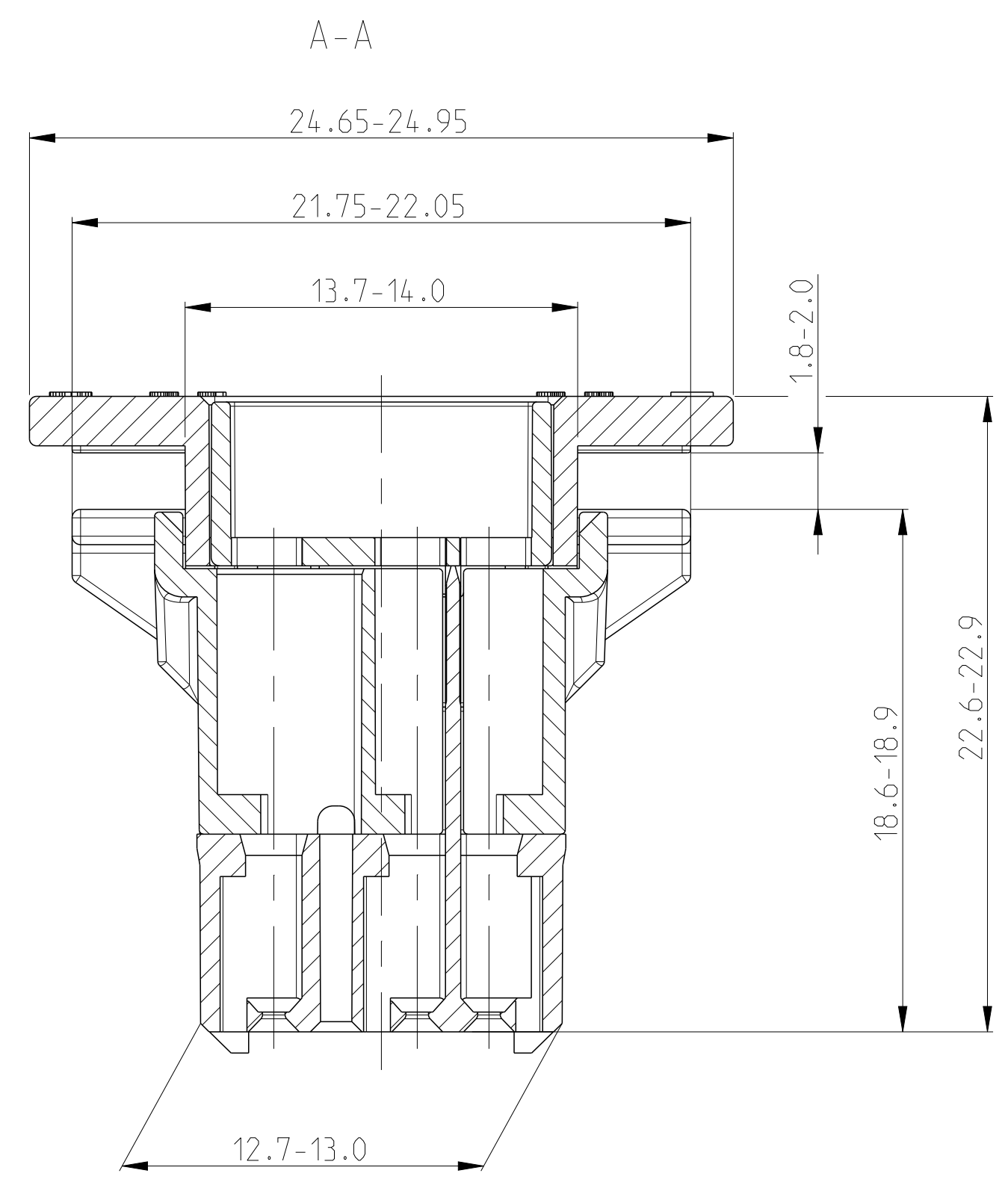
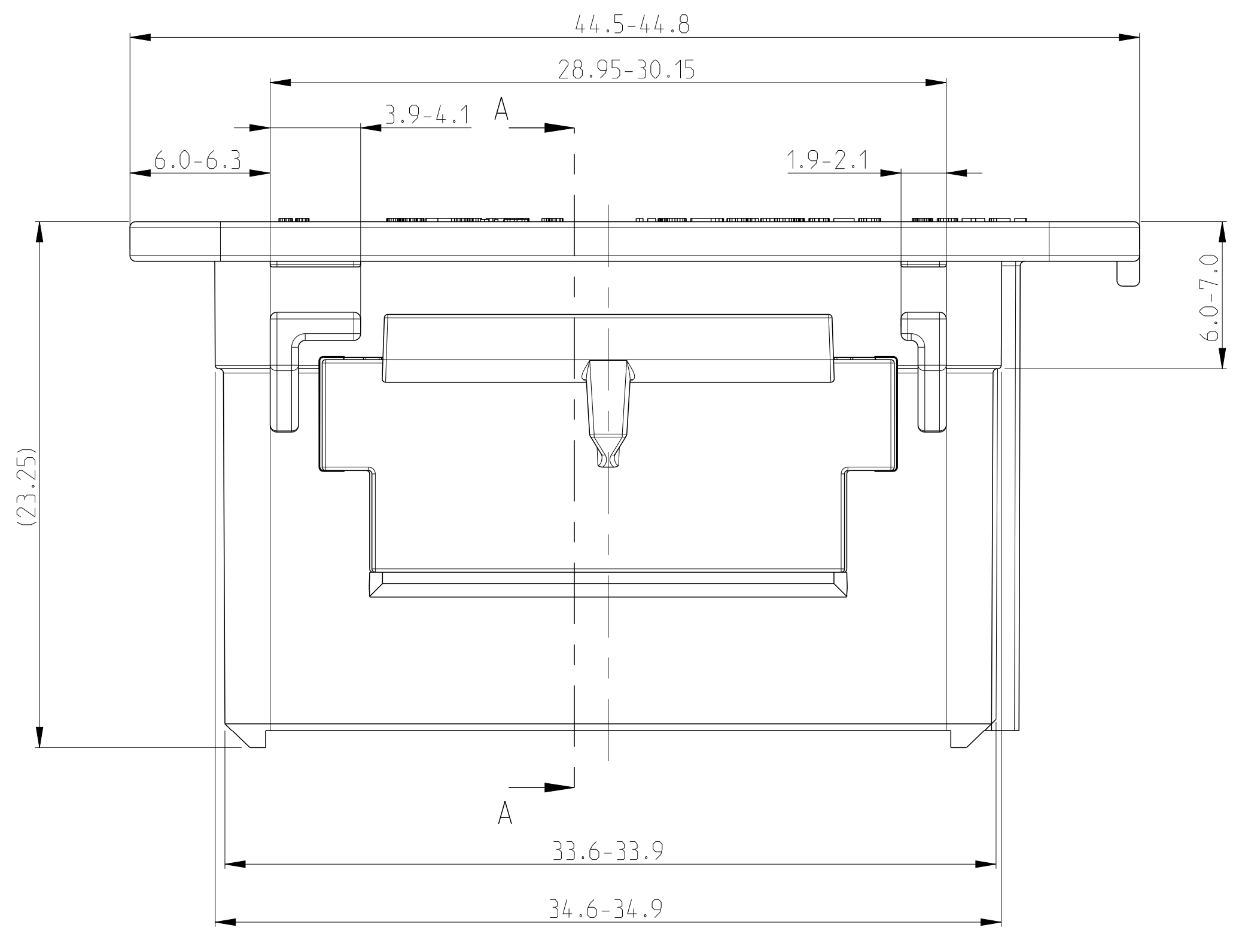
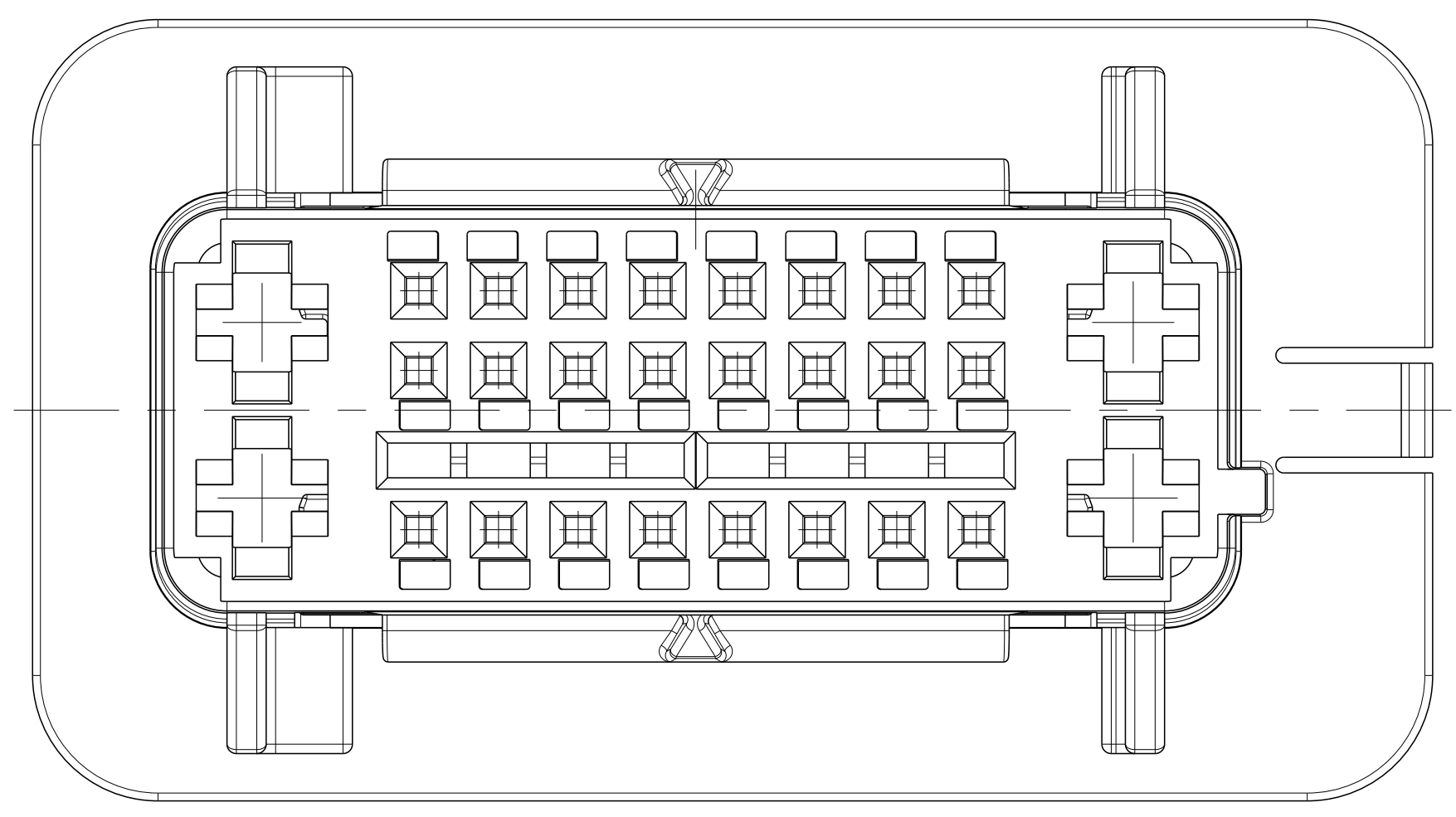
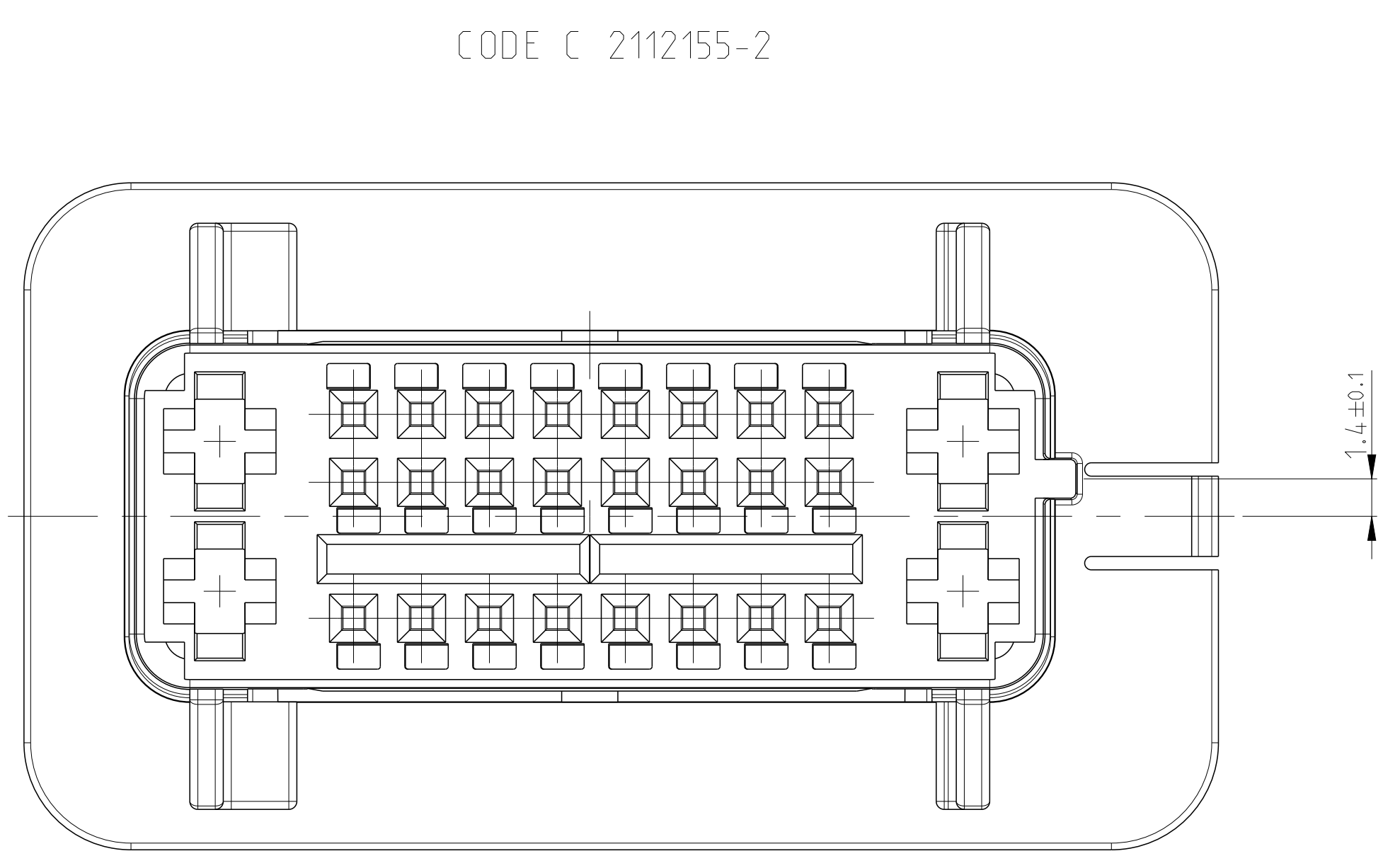
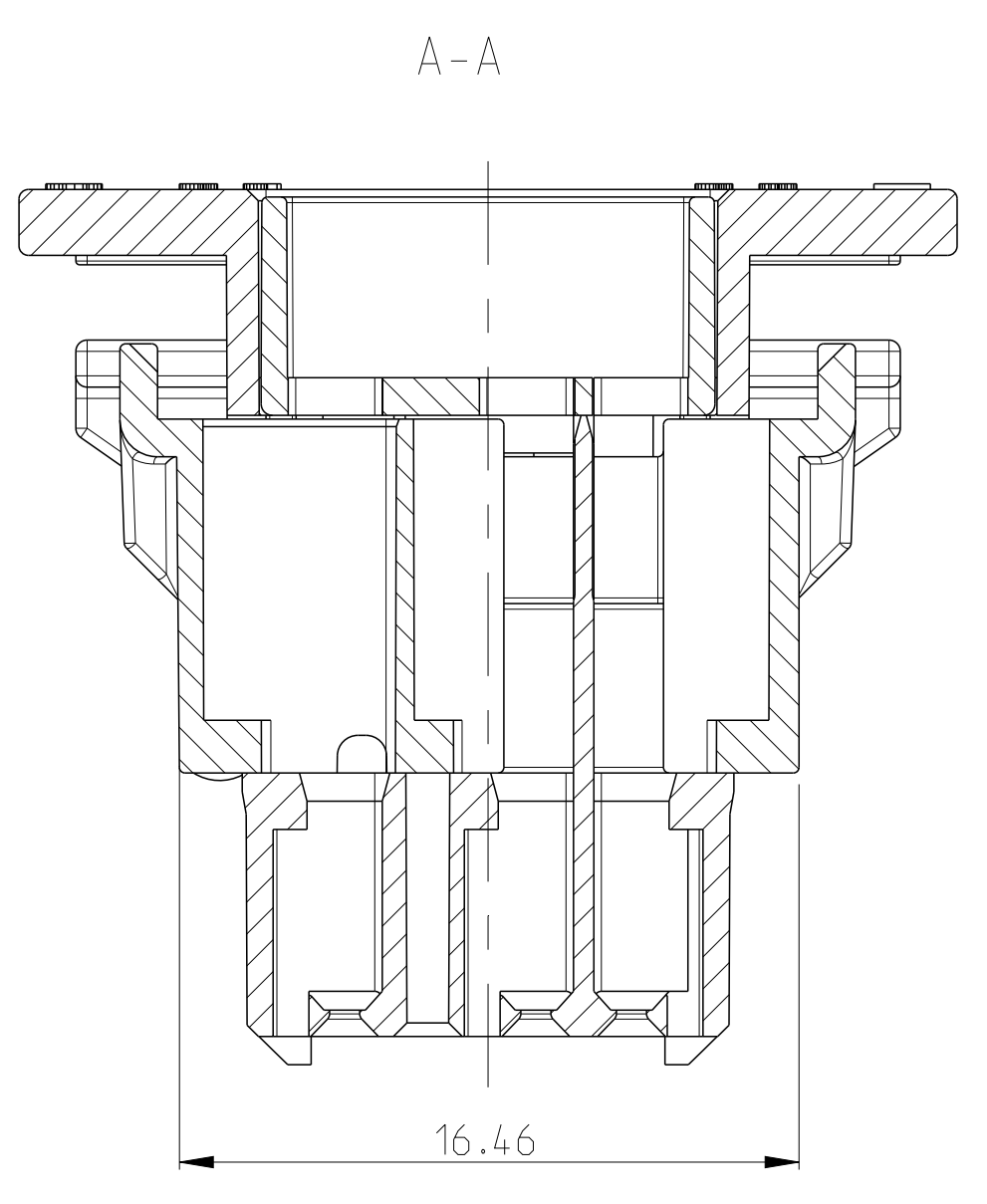
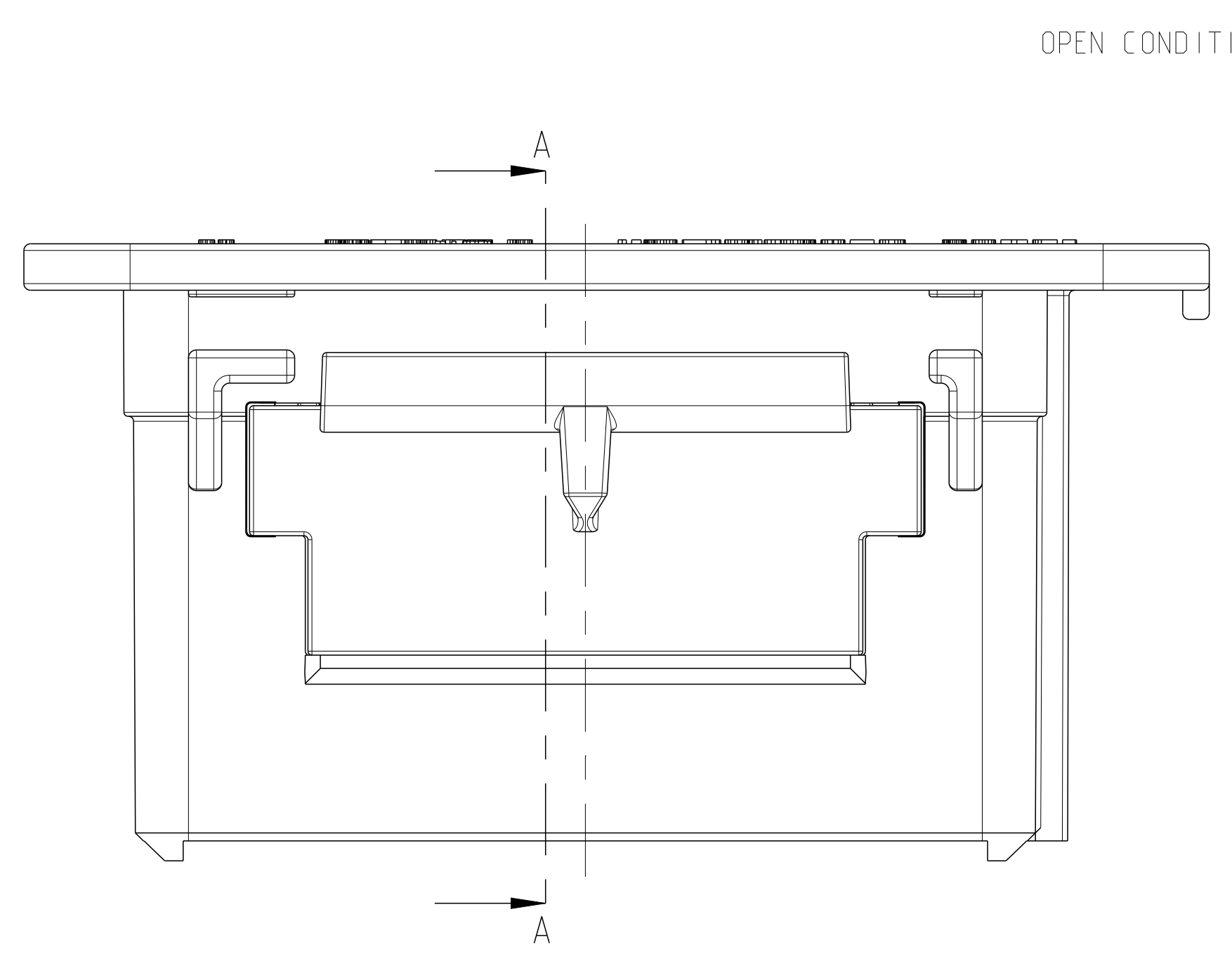


REVISIONS				
REV	DATE	DESCRIPTION	BY	APPD
A3	17SEP2010	ECR-10-019349	SPB	BB
B	05DEC2014	NEW LOGO, MARKING PLASTIC CAVITY	RC	JL
C	04APR2019	TPA LARGE modified	RC	JL



CODE A 2112155-1 AS SHOWN

- NOTES
- SHIP WITH TPAs IN CLOSED POSITION
 - UPDATE LOGO ON NEW MOLD
 - MOLD IDENTIFICATION
 - NUMBER PLASTIC CAVITY
 - REFERENCE PART
 - DATE CODE



QTY	REV	DESCRIPTION	WEIGHT (g)	COLOR	TEM NO
1	1	TPA LARGE		RED	4
1	1	TPA SMALL		RED	3
1	1	Retainer TPA		RED	2
1		RECEPTACLE HOUSING		BLACK	1
1		RECEPTACLE HOUSING		BLACK	1
2112155-2	2112155-1	DESCRIPTION	WEIGHT (g)	COLOR	TEM NO

THIS DRAWING IS A CONTROLLED DOCUMENT. DATE: 30DEC12009

DESIGNED BY: Vijay Pali
 CHECKED BY: Shashidhar Nair
 APPROVED BY: BOB BAKER

ITEM: 0112155-1
 DIMENSIONS: 0112155-1
 FINISH: 0112155-1

MATERIAL: 0112155-1
 FINISH: 0112155-1

Customer Drawing

SCALE: 5:1
 SHEET: 1 of 1
 REV: C

STE TE Connectivity
 RECEPTACLE ASSY

SIZE: A0
 CASE CODE: 00779
 DRAWING NO: 2112155