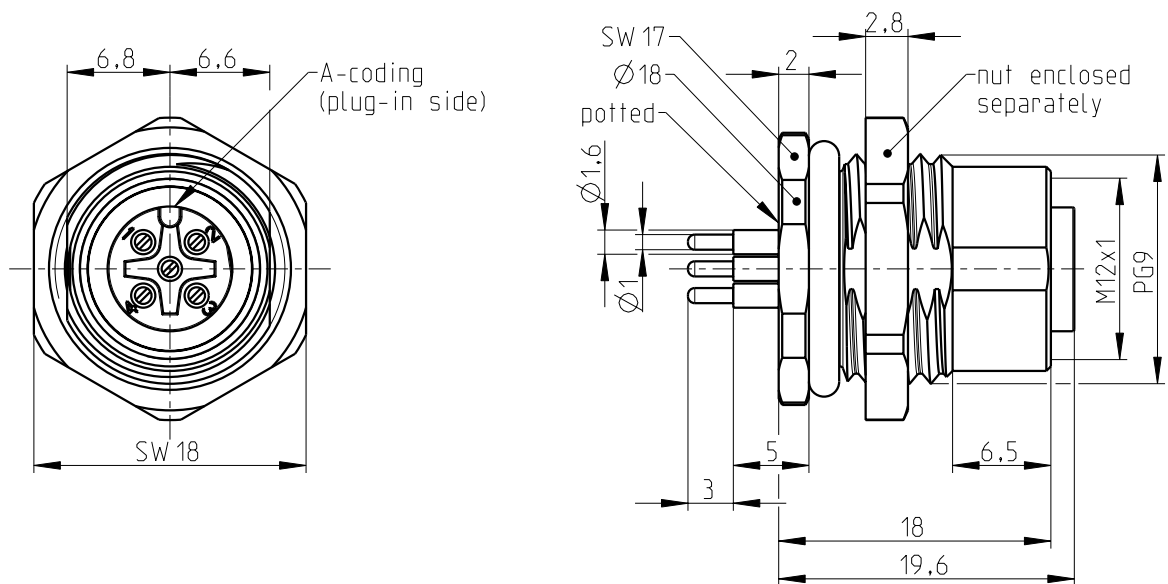


The copying, distribution and utilization of this document as well as the communication of the contents to others without expressed authorization is prohibited according to §18 UWG German Law. Offenders will be held liable for the payment of damages according to §19 UWG German Law. All rights reserved, in particular the right to carry out patent, utility model or ornamental design registrations.

Weitergabe sowie Vervielfältigung dieses Dokuments, Verwertung und Mitteilung seines Inhalts gem §18 UWG verboten, soweit nicht ausdrücklich gestattet. Zuwiderhandlungen verpflichten zu Schadensersatz (§19 UWG). Alle Rechte vorbehalten, insbesondere das Recht, Patent-, Gebrauchsmuster- oder Geschmacksmusteranmeldungen durchzuführen. CONIVERS GmbH Heisenbergstrasse 1 D-71083 Herrenberg

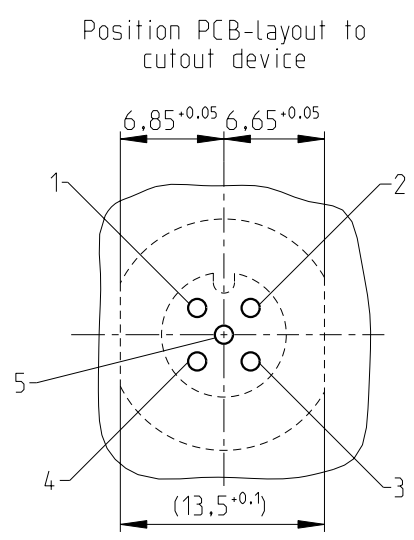
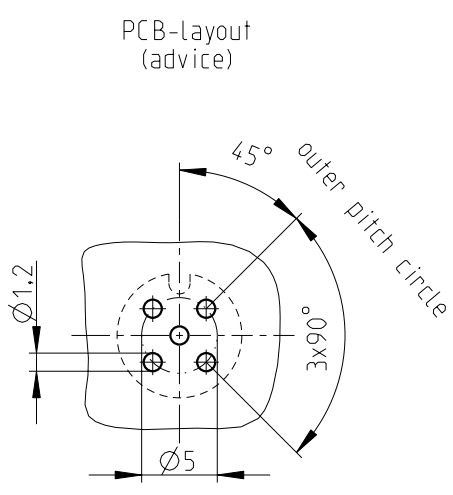
| Mechanical data<br>(according to IEC 61076-2-101) |                    | Material           |                  |
|---------------------------------------------------|--------------------|--------------------|------------------|
| no. of poles / coding                             | 5 / A              | housing            | V4A              |
| contact termination                               | dip solder/ socket | contact carrier    | PA 66 / UL 94 V0 |
| contact-Ø                                         | 1mm                | colour             | black            |
| temperature range                                 | -40 °C / +85 °C    | wire               | -                |
| protection class                                  | IP 67              | cross section      | -                |
| mating cycles                                     | >100               | contacts / surface | CuZn / Au        |
| locking system                                    | M12 STANDARD       | sealing gasket     | FKM              |
|                                                   |                    | potting            | PU 2k / UL 94 V0 |

further information:  
 - see technical data M12-1  
 - see installation recommendation PG9 design DSI



All specified data refers to the mounted M12 installation plugs ≥ IP54 and requires that the connector pair be correctly plugged and locked. Influences from wires, cables or PCB mounting are also to be taken into consideration.

View of pin assignment Plug-in side



|                                          |            |                            |                                                                         |                      |           |               |                  |
|------------------------------------------|------------|----------------------------|-------------------------------------------------------------------------|----------------------|-----------|---------------|------------------|
| general tolerance acc. to DIN ISO 2768-c |            | technical changes reserved |                                                                         | Index 2 / 2012-05-15 |           | scale:<br>2:1 |                  |
| design                                   | date       | name                       | description:<br>Housing with dip solder contacts<br>Rear mounting (PG9) |                      |           |               | page: 1<br>of: 1 |
| chk.                                     | 2012-04-25 | Thumm                      |                                                                         |                      |           |               |                  |
|                                          |            | drawing-no.:               | BA-05S2N22RW 00                                                         |                      | doc.-no.: | 00658217      |                  |
|                                          |            | order-no.:                 | 1554733                                                                 |                      |           |               |                  |
|                                          |            | article designation:       | SACC-DSI-M12FS-5CON-L180 VA                                             |                      |           |               |                  |