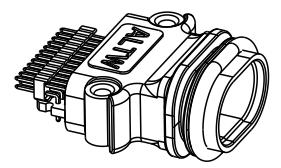
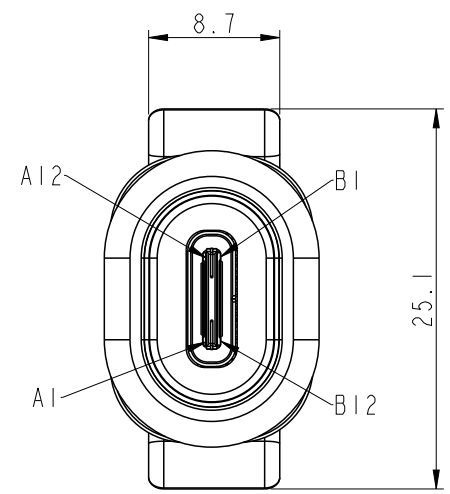
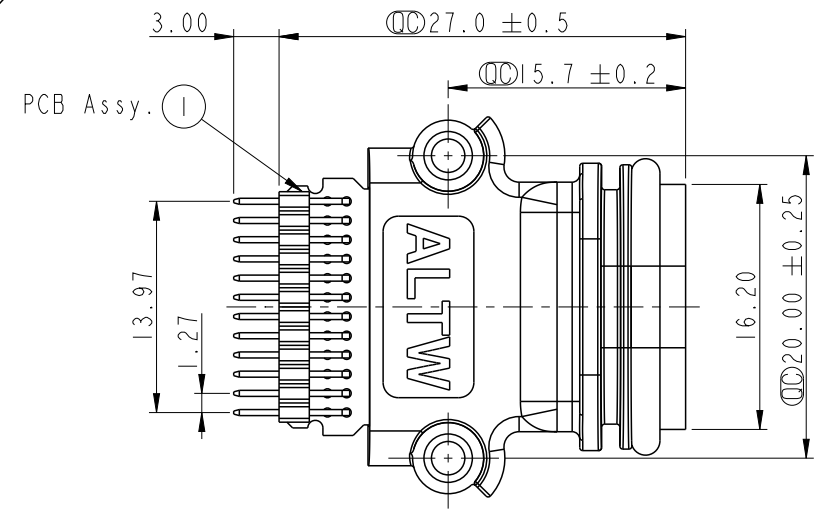
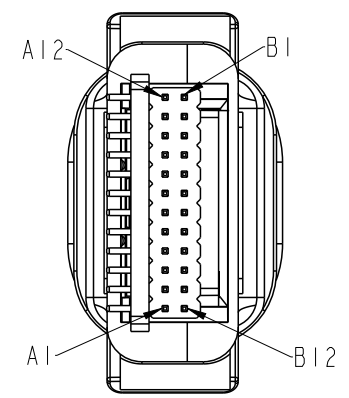


THIS DOCUMENT IS SUBJECT TO CHANGE WITHOUT NOTICE. IT IS CONFIDENTIAL AND A PROPERTY OF Amphenol LTW. DISCLOSURE TO THIRD PARTY HAS TO BE AUTHORIZED BY Amphenol LTW.

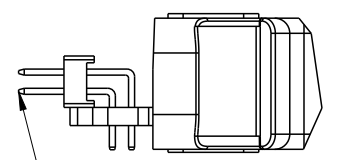
REV.	ECN NO.	DATE	SIGN	DESCRIPTION
A	Initial release	2020/08/26	Ruru	Old Item No. UC-3IPFFP-QS8001
B	C220027	2022/01/11	Scott	$\triangle B$ XI.
C	C220621	2022/04/20	Scott	$\triangle C$ XI.



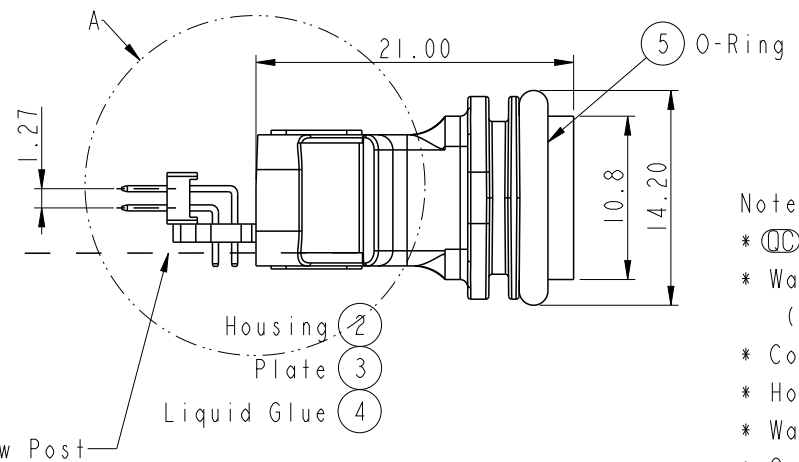
比例 1:1



Detail A(2:1)



Measure 量測位置:
End of this PIN center.
端子尾端中心點



Note:

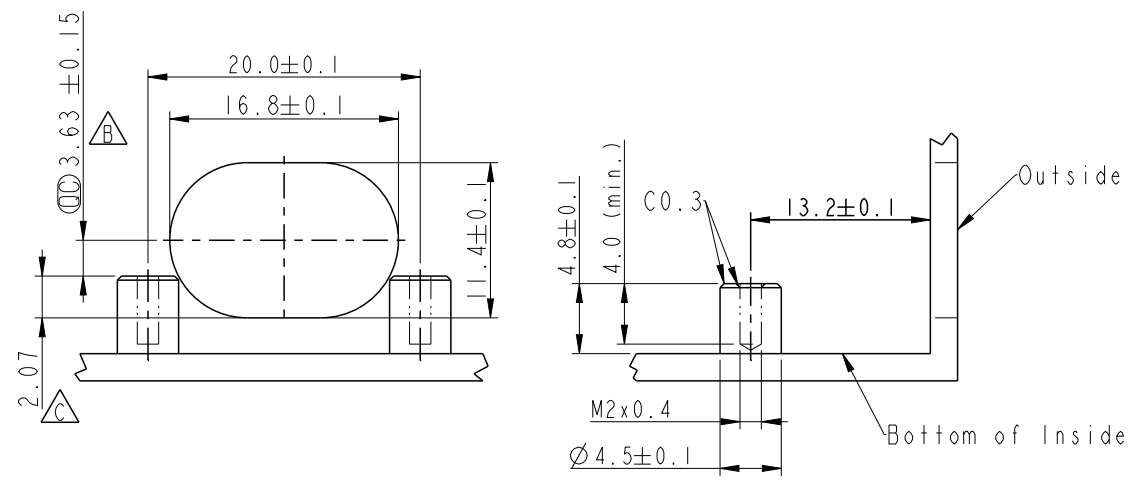
- * \varnothing Important Dimension
- * Waterproof Rate: IP68(Unmated)
(Under water 1M, 24H)
- * Connector: USB Type C Female
- * Housing: Thermoplastic, UL94 V-0,FI, Black
- * Wafer: 24Pin Header, Dual Row, Pitch=1.27mm
- * O-Ring: Rubber, Gray
- * Panel Thickness max: 4.0mm
- * All Parts Are RoHS Compliant

Surface of Screw Post

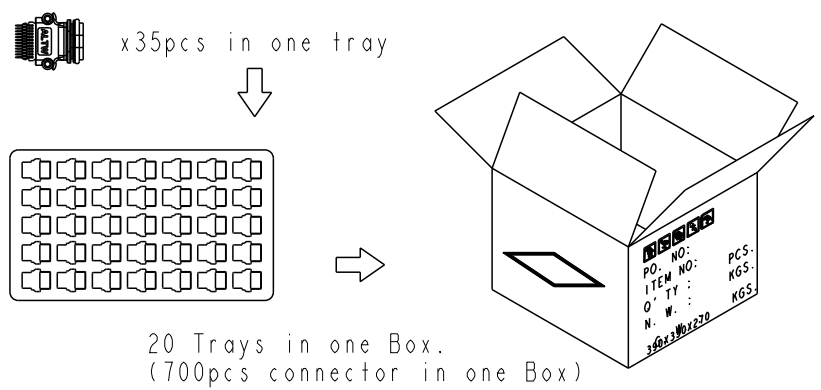
UNIT: mm		TITLE		<h1>Amphenol LTW</h1> <p>安費諾亮泰企業股份有限公司</p>	ITEM NO	DRAWN BY	DATE
		USB, C TYPE, FRONT FASTENED F, F, PCB S, QUICK			UC-00PFFP-QS8001	Ruru	2020-08-26
TOLERANCE		SCALE	SIZE	SHEET	DWG NO	CHECKED BY	DATE
.X ±0.25		2:1	A4	1 OF 2	UC-00PFFP-QS8001	Rita	2020-08-26
.XX ±0.1		REV.	WC-REV.		CUSTOMER	APPROVED BY	DATE
.XXX ±0.05		C	A.28	\varnothing : Inspection item	ALTW	Max	2020-08-26
ANGLES ±1°							

THIS DOCUMENT IS SUBJECT TO CHANGE WITHOUT NOTICE. IT IS CONFIDENTIAL AND A PROPERTY OF Amphenol LTW. DISCLOSURE TO THIRD PARTY HAS TO BE AUTHORIZED BY Amphenol LTW.

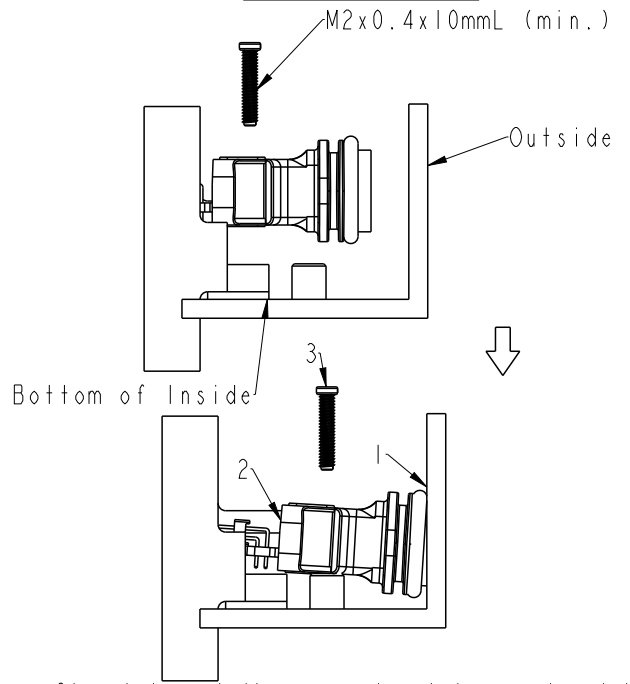
Recommended Panel Cut-Out



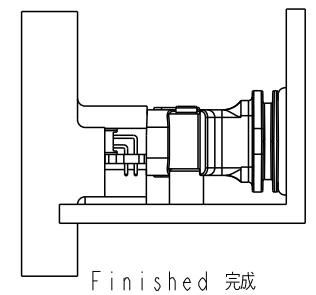
Packing Instructions.



Installation.



Step 1. Insert the connector into panel-cut by slanted angle.
 Step 2. The connector incline downward and engage to screw post.
 Step 3. Fastening the screws to fix the connector.
 第一步：連接器以傾斜角度插入內孔
 第二步：將連接器斜往下壓，與螺絲轉孔卡合
 第三步：鎖上螺絲固定



UNIT: mm		
TOLERANCE	.X ±0.25	
	.XX ±0.1	
	.XXX ±0.05	
ANGLES	±1°	

TITLE USB, C TYPE, FRONT FASTENED F, F, PCB S, QUICK			
SCALE 2:1	SIZE A4	SHEET 2 OF 2	
REV. C	WC-REV. A.28	☉: Inspection item	

Amphenol LTW
 安費諾亮泰企業股份有限公司

ITEM NO. UC-00PFFP-QS8001	DRAWN BY Ruru	DATE 2020-08-26
DWG NO. UC-00PFFP-QS8001	CHECKED BY Rita	DATE 2020-08-26
CUSTOMER ALTW	APPROVED BY Max	DATE 2020-08-26