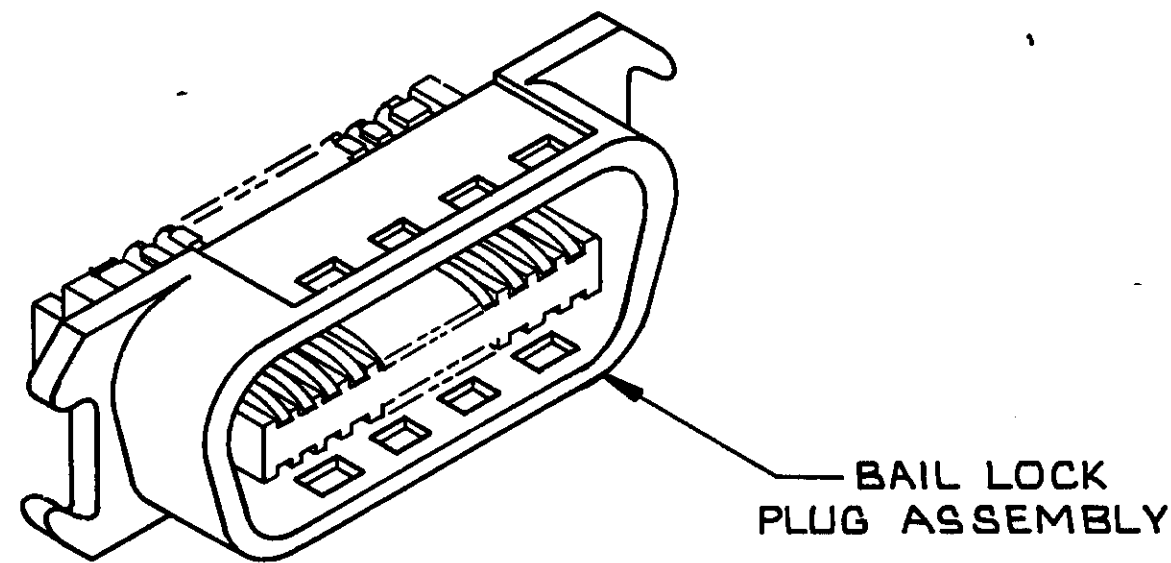
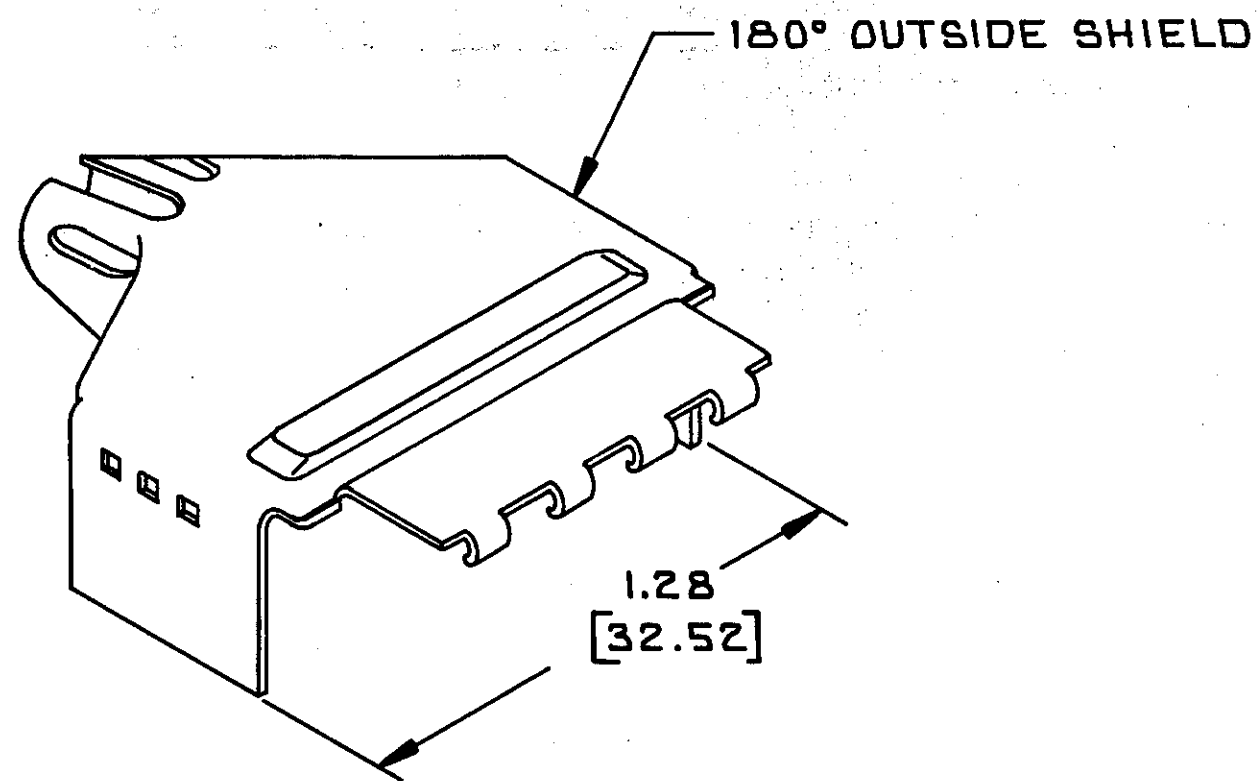
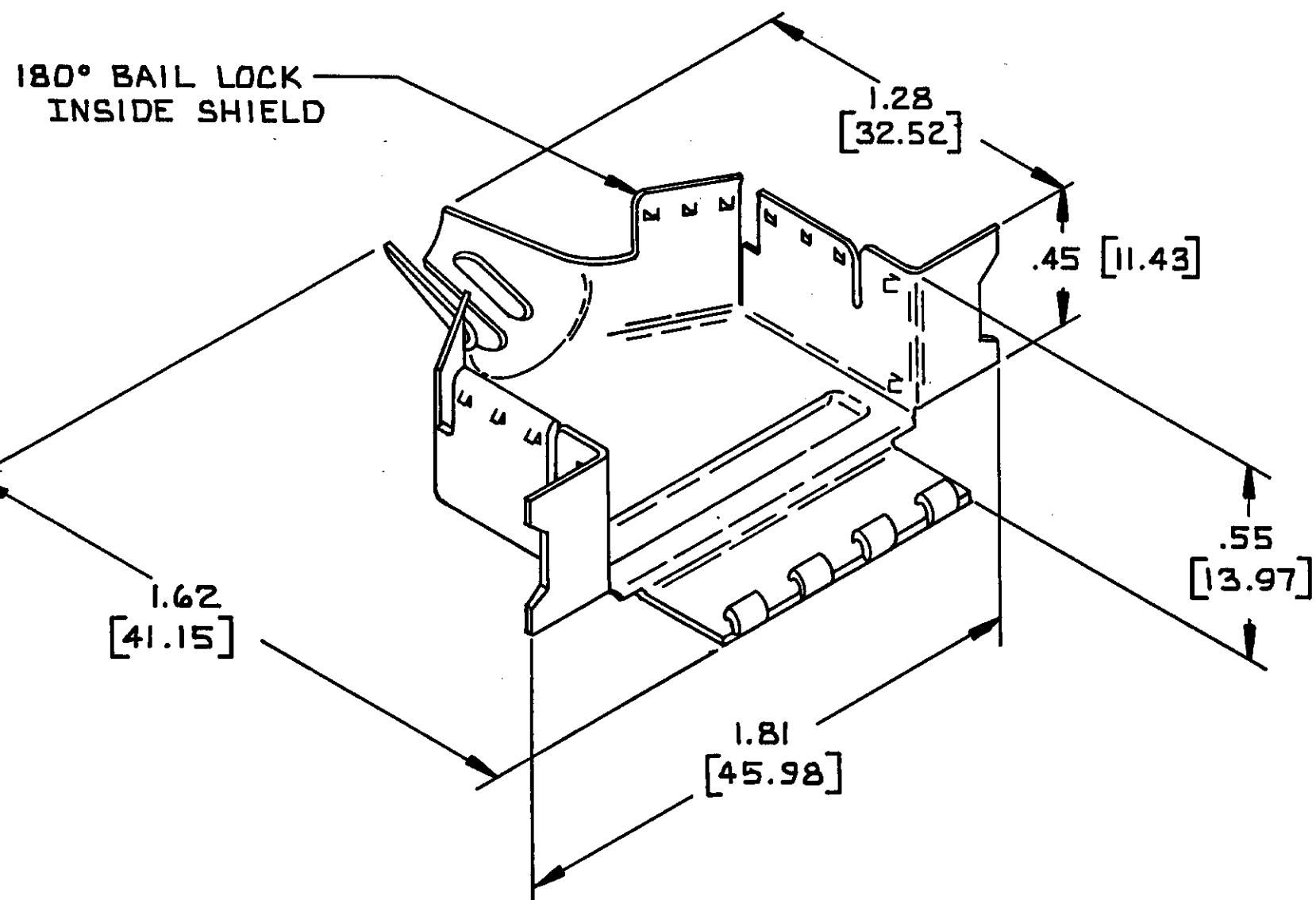


THIS DRAWING IS UNPUBLISHED. RELEASED FOR PUBLICATION .19
 © COPYRIGHT 19 BY AMP INCORPORATED. ALL INTERNATIONAL RIGHTS RESERVED.

LOC		DIST		REVISIONS				DATE	APPD
AA	20	P	F	ZONE	LTR	DESCRIPTION			
		D				REACTIVATE -1 & -2 ; ECN AA-6793	5-1-90	LBS N.J.	



1. THIS KIT SHIPPED NOT ASSEMBLED.
2. MATERIAL : SHIELDS - BRIGHT NICKEL PLATED CARBON STEEL. PLUG HOUSING - POLYPHENYLENE, BLACK. TERMINALS - GOLD OVER NICKEL PLATED HIGH STRENGTH COPPER ALLOY.
3. WIRE SIZE : 24 OR 26 AWG SOLID OR 24 AWG STRANDED COPPER CONDUCTORS. MAXIMUM INSULATION DIA OF .045 IS ACCEPTABLE FOR MOST APPLICATIONS.
4. CABLE RANGE : .250 - .500 DIAMETER .
5. CENTER-TO-CENTER SPACING OF TERMINALS IS .085 NOMINAL.
6. WIRE SIZE : 26-27-28 AWG STRANDED COPPER CONDUCTORS. MAXIMUM INSULATION DIAMETER OF .045 IS ACCEPTABLE FOR MOST APPLICATIONS.
7. ALL DIMENSIONS SHOWN ARE MAXIMUM UNLESS OTHERWISE SPECIFIED.
8. DIMENSIONS IN BRACKETS [] ARE IN MILLIMETERS.



POLYBAG	B	3	554947-2
	E	6	554947-1
PACKAGED	SLOT SIZE	WIRE SIZE	PART NO

DO NOT SCALE PRINT. UNLESS SPECIFIED DIMENSIONS IN INCHES TOLERANCES ON : 2 PLC DEC ± 3 PLC DEC ± ANGLES ±	DR LARRY H. SMITH 5-1-90	AMP INCORPORATED Harriburg, Pa. 17105	
	CHK M. Jones 5-17-90		
MATERIAL	APPD Kandy McCraw 5/17/90	NAME PLUG KIT, 24 POSITION, BAIL LOCK, SHIELDED CHAMP®	
	APPD O. Williams 5-21-90	PRODUCT SPEC	
FINISH	APPLICATION SPEC	SIZE C	FSCM NO 00779
		SCALE 2:1	DRAWING NO 554947
WEIGHT		SHEET 1 OF 1	

554947