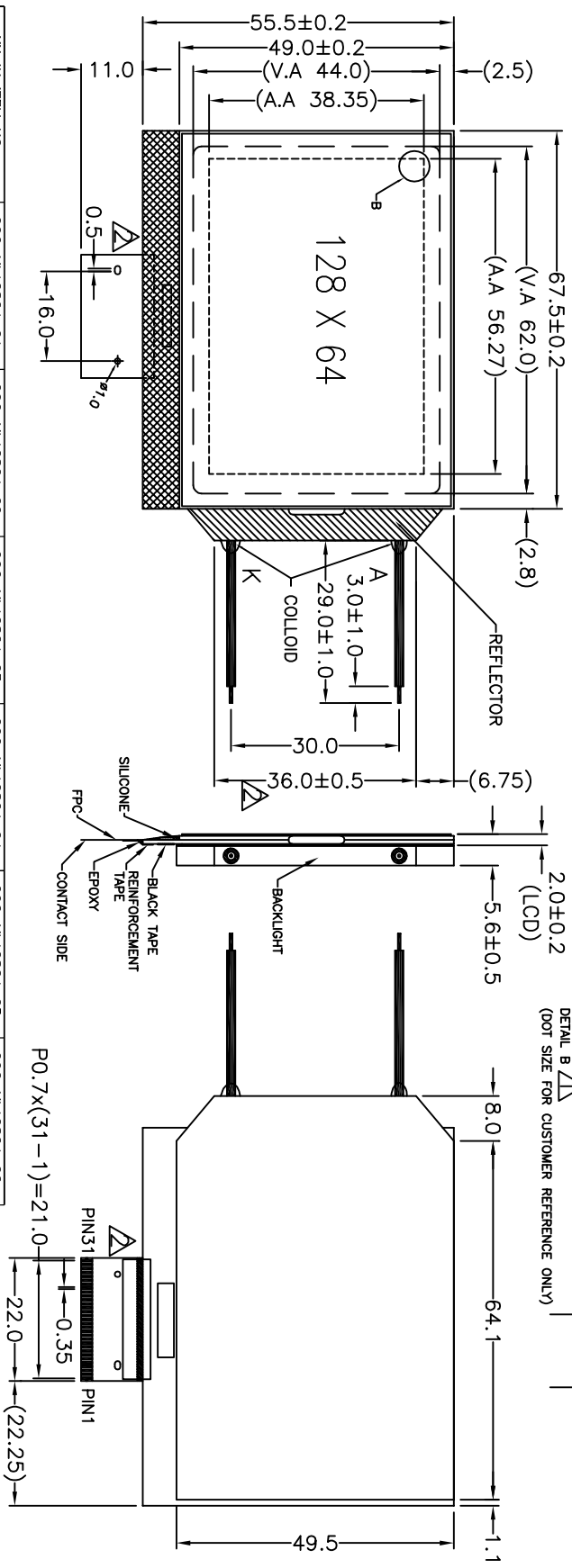
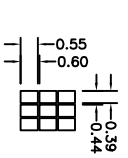
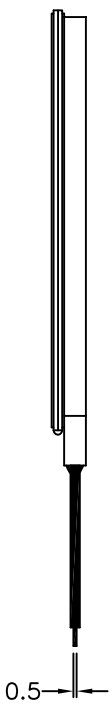


The drawing on this print and information therein are proprietary to Varrtronix and shall not be used in whole or in part without written permission of Varrtronix.



-XX IN ITEM NO.	COG-VL12864-01	COG-VL12864-02	COG-VL12864-03	COG-VL12864-04	COG-VL12864-05	COG-VL12864-06
DISPLAY TYPE	STN, GREEN MODE +VE, TRANSPARENT	STN, BLUE +VE, TRANSPARENT	STN, B&W +VE, TRANSPARENT	STN, B&W +VE, TRANSPARENT	STN, SILVER +VE, TRANSPARENT	STN, B&W +VE, TRANSPARENT
DISPLAY RESOLUTION	128 x 64 DOTS	128 x 64 DOTS	128 x 64 DOTS	128 x 64 DOTS	128 x 64 DOTS	128 x 64 DOTS
VIEWING ANGLE	6.0° CLOCK	6.0° CLOCK	6.0° CLOCK	6.0° CLOCK	6.0° CLOCK	6.0° CLOCK
MUX RATIO AND BIAS LEVEL	1/85 DUTY, 1/9 BIAS	1/65 DUTY, 1/9 BIAS	1/65 DUTY, 1/9 BIAS	1/65 DUTY, 1/9 BIAS	1/65 DUTY, 1/9 BIAS	1/85 DUTY, 1/9 BIAS
LCD CONTROLLER /DRIVER	S1D15605	S1D15605	S1D15605	S1D15605	S1D15605	S1D15605
LOGIC VOLTAGE	5.0V	5.0V	5.0V	5.0V	5.0V	5.0V
LCD DRIVING VOLTAGE	~9.5V	~9.4V	~9.2V	~9.2V	~9.5V	~9.2V
OPERATION TEMPERATURE	0°C to +50°C	0°C to +50°C	0°C to +50°C	0°C to +50°C	0°C to +50°C	0°C to +50°C
STORAGE TEMPERATURE	-10°C to +60°C	-10°C to +60°C	-10°C to +60°C	-10°C to +60°C	-10°C to +60°C	-10°C to +60°C
REMARK	WITHOUT BACKLIGHT REFER TO SHEET 2	WITH BACKLIGHT, COLOR: BLUE, VLED: 3.4V REFER TO SHEET 1	WITHOUT BACKLIGHT, COLOR: WHITE, VLED: 3.4V REFER TO SHEET 1	WITHOUT BACKLIGHT, COLOR: WHITE, VLED: 3.4V REFER TO SHEET 2	WITH BACKLIGHT, COLOR: WHITE, VLED: 3.4V REFER TO SHEET 1	WITH BACKLIGHT, COLOR: WHITE, VLED: 3.4V REFER TO SHEET 1

**PIN ASSIGNMENT:**

1	2	3	4	5	6	7	8	9	10	11	12	13	14	15	16	17	18
IRS	TRM	P/S	CS6	VR	V5	V4	V3	V2	V1	CAP2+	CAP2-	CAP1-	CAP1+	CAP3-	VOUT	VSS	VDD
D7	D6	D5	D4	D3	D2	D1	D0	E_RD	RW_WR	AO	CST	RESET					

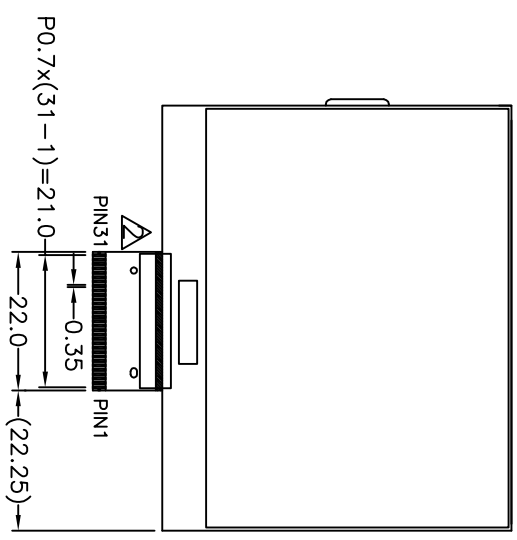
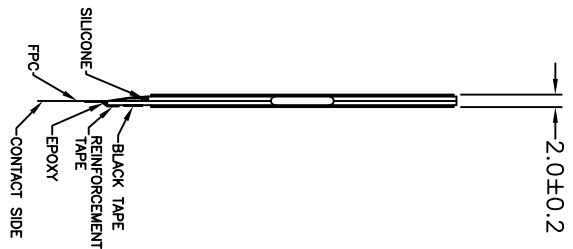
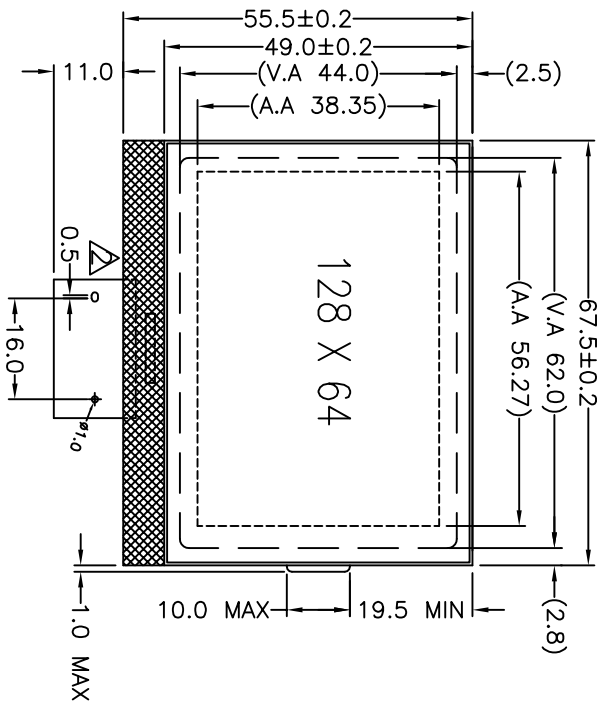
**NOTES:**  
 1. ∅ : SPECIAL CHARACTERISTIC  
 2. + : SHEET CHARACTERISTIC  
 3. √ : SHEET DIMENSION  
 4. (...): REFERENCE DIMENSION



ISSUE	AMENDMENT	DATE
∇1	ADD DETAIL B	05.01.03
∇6	UPDATE THE HOLE OF FPC / ADD NEW ITEM OF -05 / UPDATE TOLERANCE	07.10.17
∇1	ADD NEW ITEM OF -06	09.07.10

<b>TITLE:MODULE SPEC</b>	
<b>PROJECT NO:COG-VL12864</b>	
TOLERANCE UNLESS OTHERWISE SPECIFIED:	X.X ±0.3 X.XX ±0.1 ANGULAR: ± 1°
DIMENSIONS IN MM	
MATERIAL: N/A	FINISH: N/A
SCALE: DO NOT ON SCALE	OVERALL THK: SEE DWG
<b>THIRD ANGLE PROJECTION</b>	
DRAWN: KEVIN CHOU	SIGN DATE
CHECKED: HELLEN HE	
APPROVED: CHARM	
<b>ITEM NO.:COG-VL12864-XX</b>	
<b>DESCRIPTION:COG-VL12864-XX MODULE SPEC</b>	
<b>FILE NO:COG-VL12864-XX R3.DWG/REV: 3</b>	
<b>SHEET 1</b>	<b>OF 2</b>

The drawing on this print and information therein is proprietary to Varrtronix and shall not be used in whole or in part without written permission of Varrtronix.



**NOTES:**

1. ◇ : SPECIAL CHARACTERISTIC
2. + : SAFETY CHARACTERISTIC
3. ▽ : CRITICAL DIMENSION
4. (...): REFERENCE DIMENSION



**VARRTRONIX LIMITED**

**TITLE:MODULE SPEC**

**ITEM NO.:COG-VL12864-XX**

**FILE NO:COG-VL12864-XX R3.DWG/REV: 3**

**SHEET 2 OF 2**