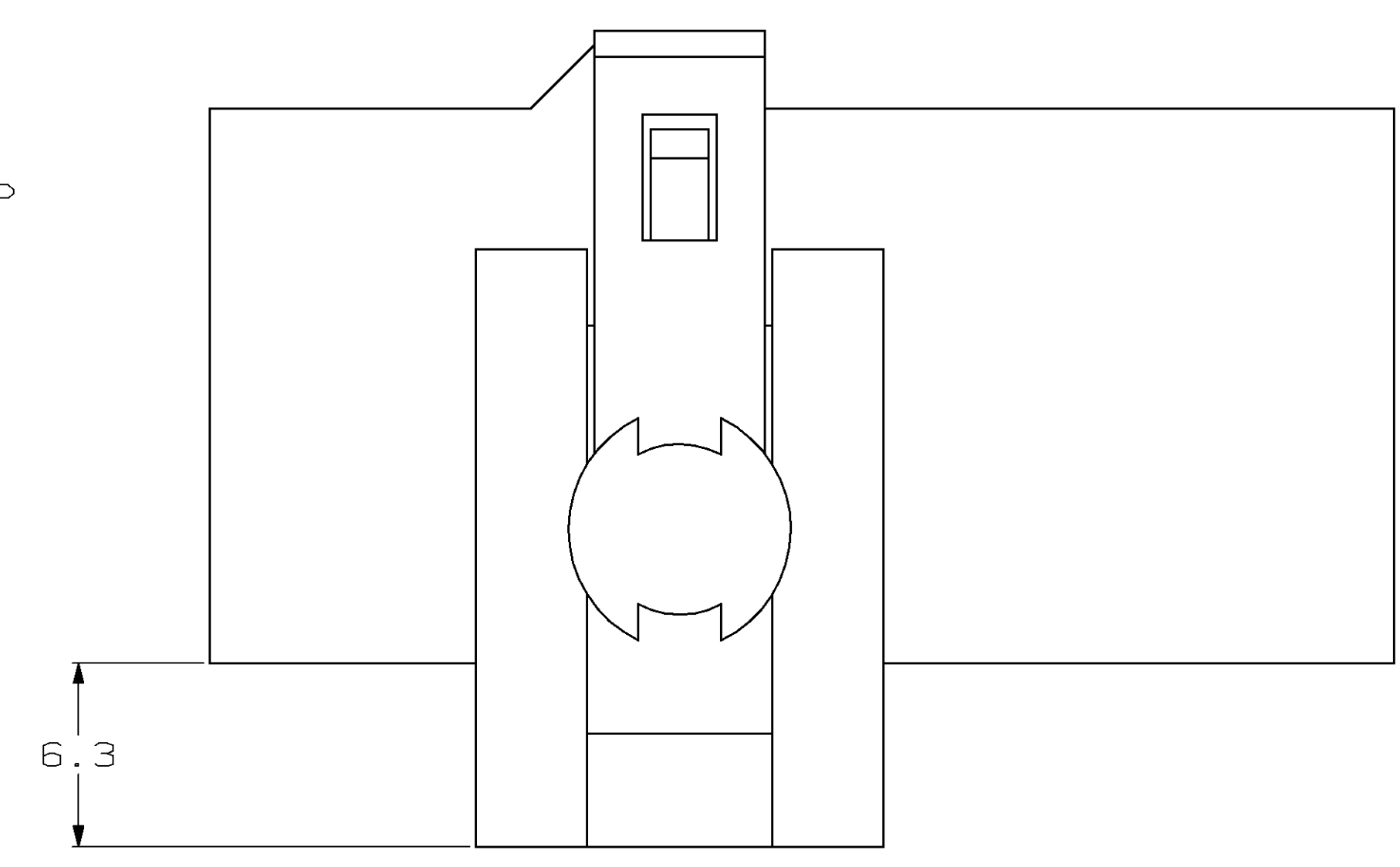
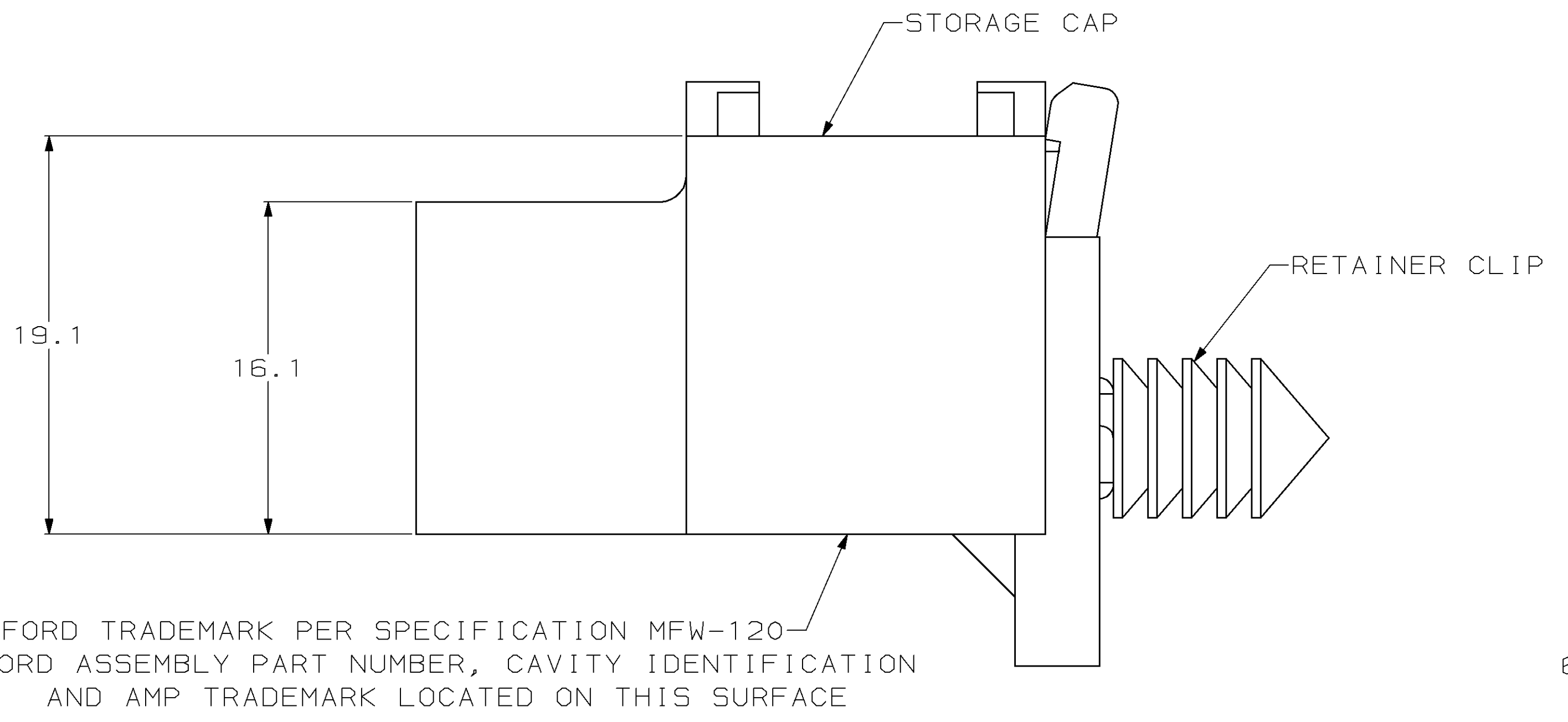
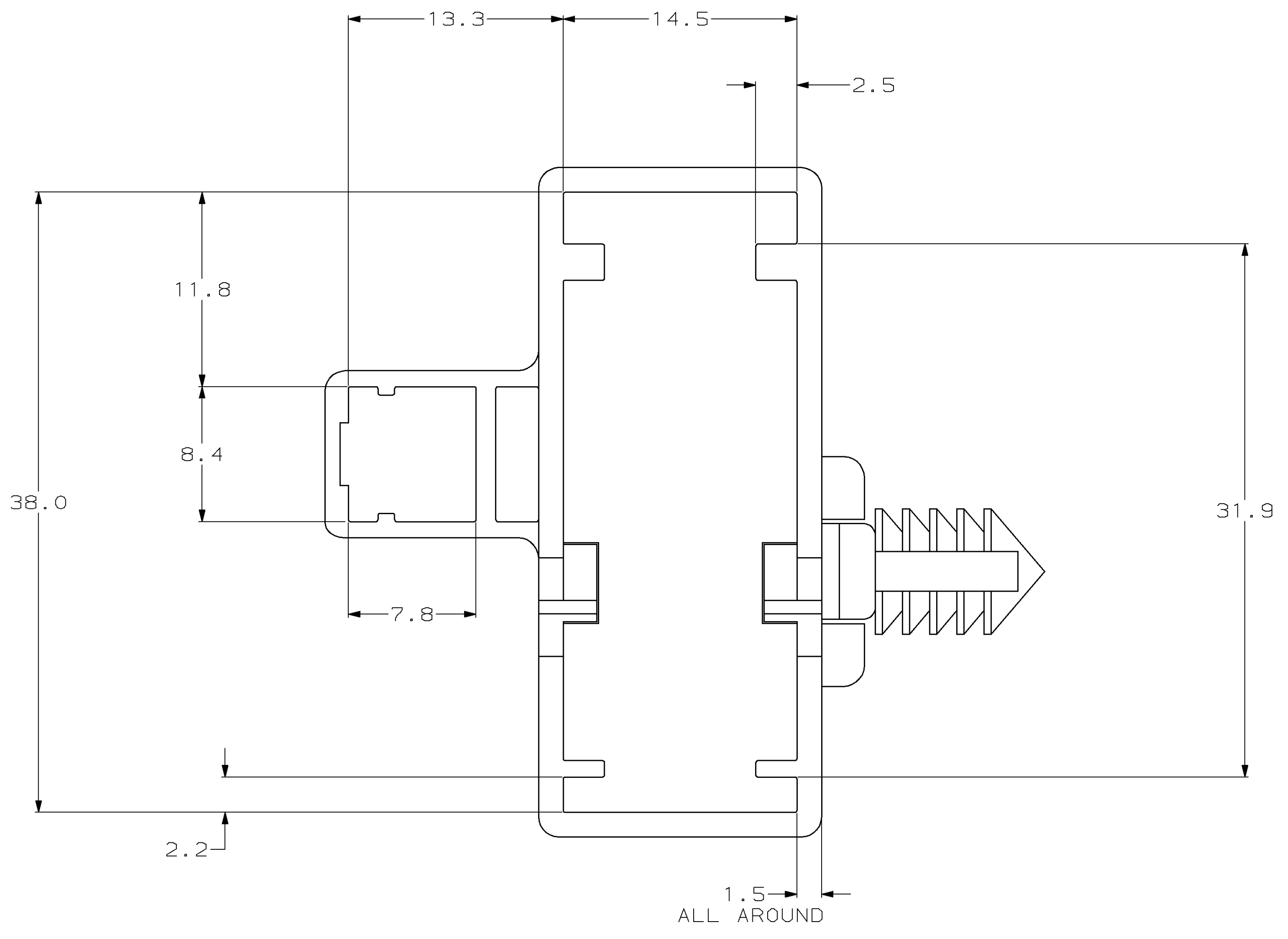


LOC		DIST		REVISIONS			
GE	51	P	LTR	DESCRIPTION	DATE	DWN	APVD
		0		REL PER PR# 98-19	5-26-98	PC	WL

- 1. MATERIAL: ASTM D4000 PBT0 30% GLASS FILLED  
COLOR: BLACK
- 2. 0.1 MAX RADIUS PERMISSIBLE ON EDGES SHOWN AS SHARP
- 3. ALL INSIDE RADII TO BE 0.1 MAX



FORD TRADEMARK PER SPECIFICATION MFW-120  
FORD ASSEMBLY PART NUMBER, CAVITY IDENTIFICATION  
AND AMP TRADEMARK LOCATED ON THIS SURFACE

776242-1  
PART NUMBER

THIS DRAWING IS A CONTROLLED DOCUMENT.		DWN P. COLLINS	5-26-98	<b>AMP</b> AMP Incorporated Harrisburg, PA 17105-3608
		CHK D. STILLIE	5-26-98	
DIMENSIONS:		TOLERANCES UNLESS OTHERWISE SPECIFIED:		NAME W. LONG
mm		0 PLC	±0.50	PRODUCT SPEC
		1 PLC	±0.20	
		2 PLC	±-	APPLICATION SPEC
		3 PLC	±-	
		4 PLC	±-	
		ANGLES	±-	
		FINISH	-	
MATERIAL		WEIGHT	-	RESTRICTED TO
		SIZE	CAGE CODE DRAWING NO	
		A1	00779	776242
CUSTOMER DRAWING		SCALE	5:1	SHEET 1 OF 1 REV 0