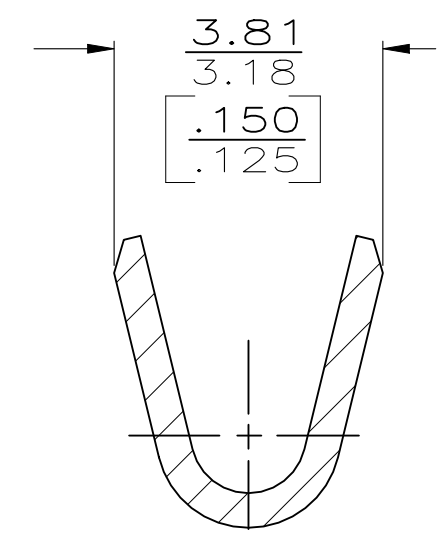
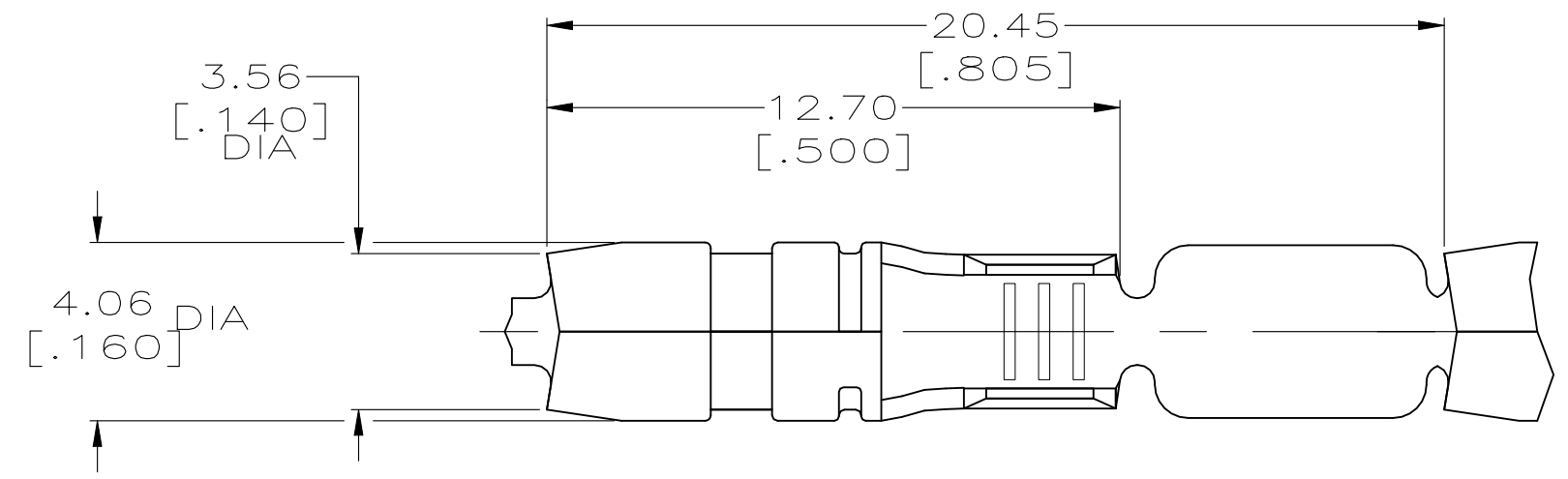


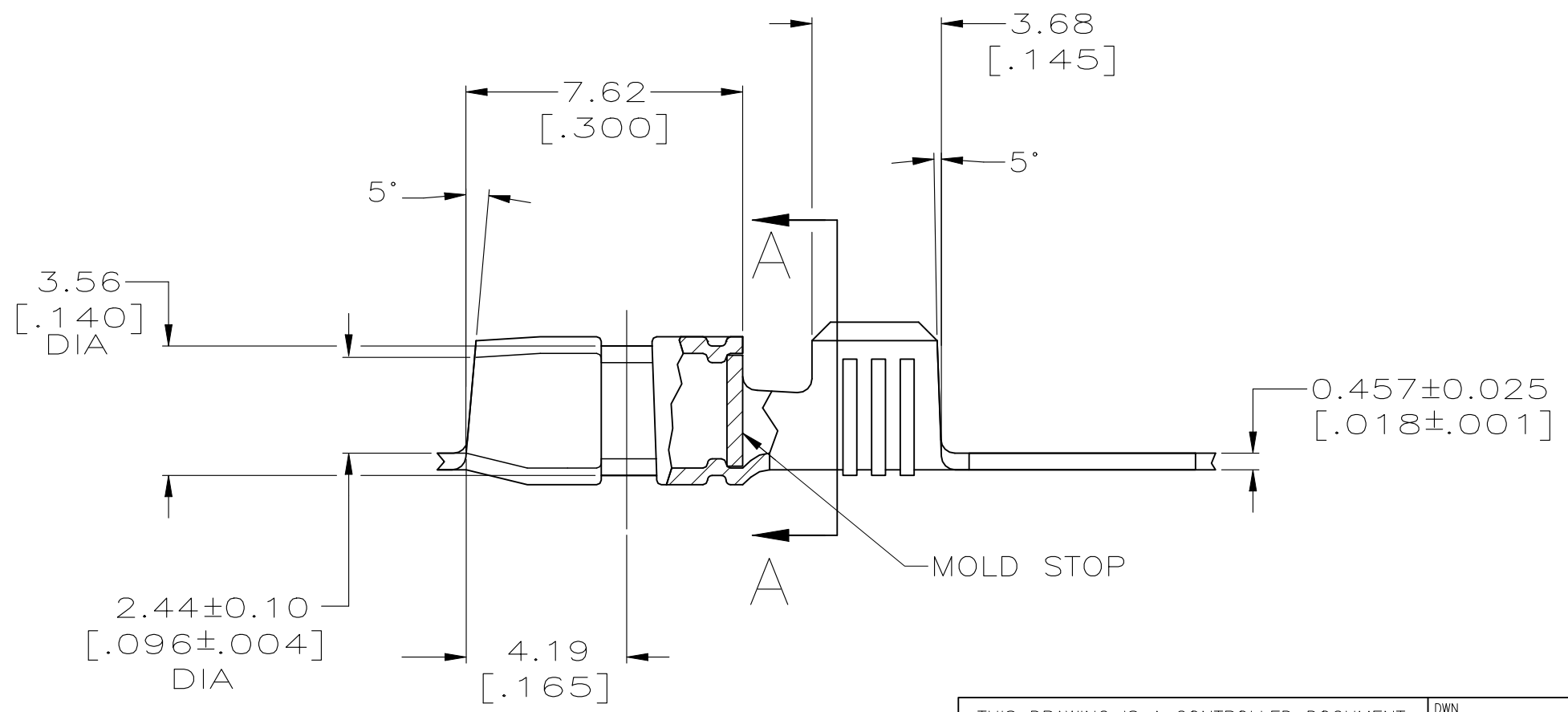
© - TE Connectivity. All Rights Reserved.

REVISIONS					
P	LTR	DESCRIPTION	DATE	DWN	APVD
	AB	REVISED PER ECR-23-170884	06APR2023	SS	RE

- 1 CONTINUOUS STRIP ON REEL.
- 2 WIRE SIZE IS [18-14] AWG
- △ 3 0.003302 [.000130] MAX PRE-TIN PL.



SECTION A-A  
SCALE 10:1



61802-1  
PART NO.

THIS DRAWING IS A CONTROLLED DOCUMENT.		DWN PHILLIP M. FORTNEY 30/SEP/94	TE Connectivity														
DIMENSIONS: INCHES		CHK JEFF R. RUTH 30/SEP/94															
TOLERANCES UNLESS OTHERWISE SPECIFIED: 1"		APVD R KUZO 30/SEP/04	NAME SHUR PLUG, 3.96 [.156] DIA														
<table border="0"> <tr><td>0 PLC</td><td>± -</td></tr> <tr><td>1 PLC</td><td>± -</td></tr> <tr><td>2 PLC</td><td>± 0.25 [.010]</td></tr> <tr><td>3 PLC</td><td>± -</td></tr> <tr><td>4 PLC</td><td>± -</td></tr> <tr><td>ANGLES</td><td>± -</td></tr> </table>		0 PLC	± -	1 PLC	± -	2 PLC	± 0.25 [.010]	3 PLC	± -	4 PLC	± -	ANGLES	± -	PRODUCT SPEC -	SIZE A3	CAGE CODE 00779	DRAWING NO C-61802
0 PLC	± -																
1 PLC	± -																
2 PLC	± 0.25 [.010]																
3 PLC	± -																
4 PLC	± -																
ANGLES	± -																
MATERIAL 081 BRASS		FINISH - △ 3	WEIGHT 0.000000	RESTRICTED TO -													
CUSTOMER DRAWING			SCALE 6:1	SHEET 1 OF 1	REV AB												