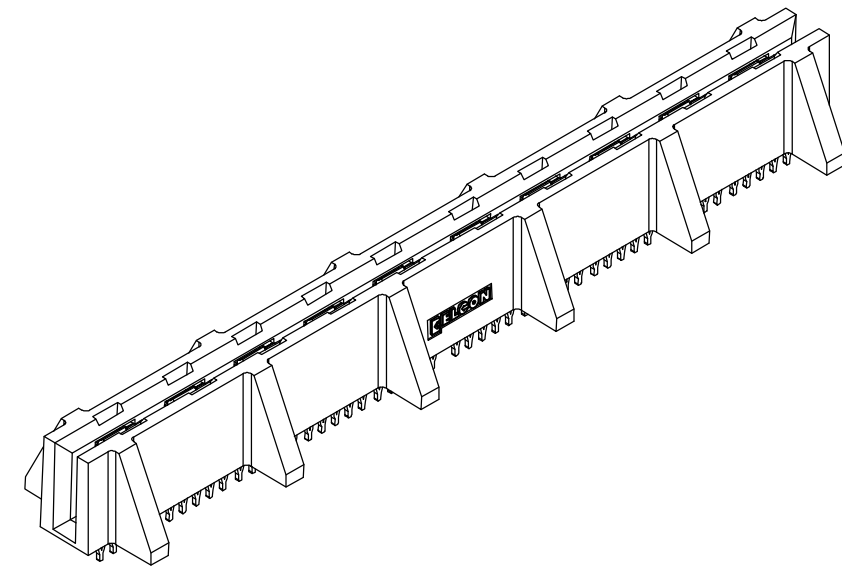


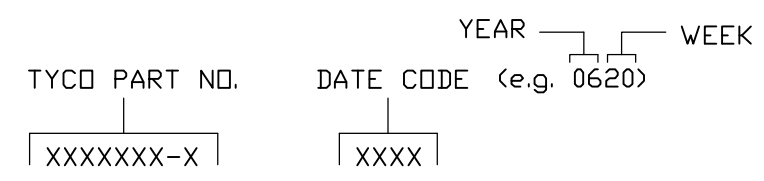
THIS DRAWING IS UNPUBLISHED. RELEASED FOR PUBLICATION
 © COPYRIGHT BY TYCO ELECTRONICS CORPORATION. ALL RIGHTS RESERVED.

LOC	DIST	REVISIONS					
GP	00	P	LTR	DESCRIPTION	DATE	DWN	APVD
		A		RELEASED	20APR06	RG	SF



NOTES: UNLESS OTHERWISE SPECIFIED;

- PART NUMBER CHANGES AND OR DESIGN CHANGES AFFECTING ITEM INTERCHANGEABILITY REQUIRE PRIOR TYCO APPROVAL AND AUTHORIZATION BY REVISION TO THIS DRAWING.
- MATERIALS:
 INSULATORS: THERMOPLASTIC, GLASS REINFORCED, COLOR-BLACK, UL94V-0 FLAMMABILITY RATED.
 POWER CONTACTS: PHOSPHOR-BRONZE ALLOY, COPPER ALLOY.
 CROWN BANDS: BERYLLIUM-COPPER ALLOY.
- FINISHES:
 CONTACTS: GOLD PLATE .000030" MIN. THK, OVER NICKEL .000040" MIN. THICKNESS.
 TERMINALS: TIN PLATE, MATTE FINISH 000100" MIN. THICKNESS.
- SOCKET CONNECTORS ACCEPT 1.60 [.062"] ±10% THK PC BOARD.
- ITEMS PROVIDED TO THIS SPECIFICATION TO BE PERMANENTLY IDENTIFIED PER THE FOLLOWING IDENTIFIER.



△ POSITION P9 IS UNPOPULATED.

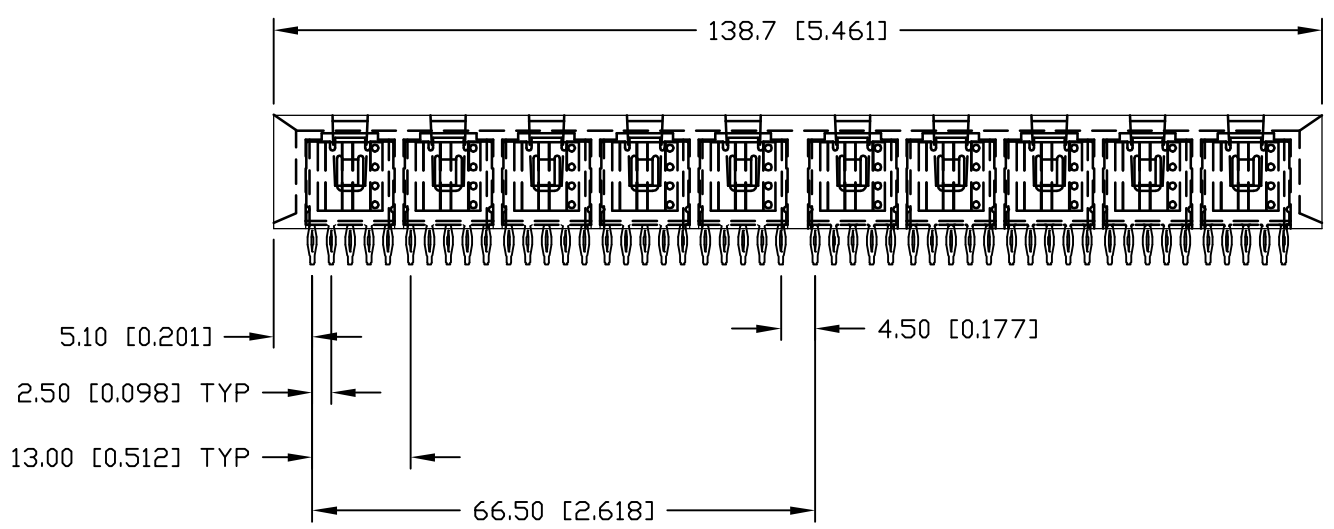
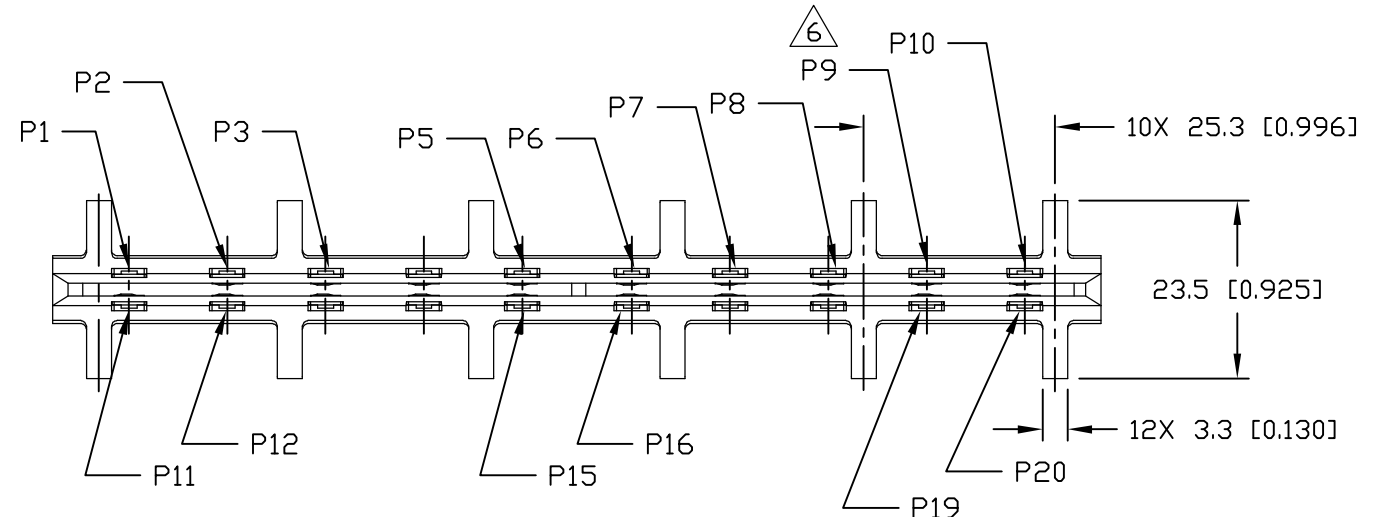
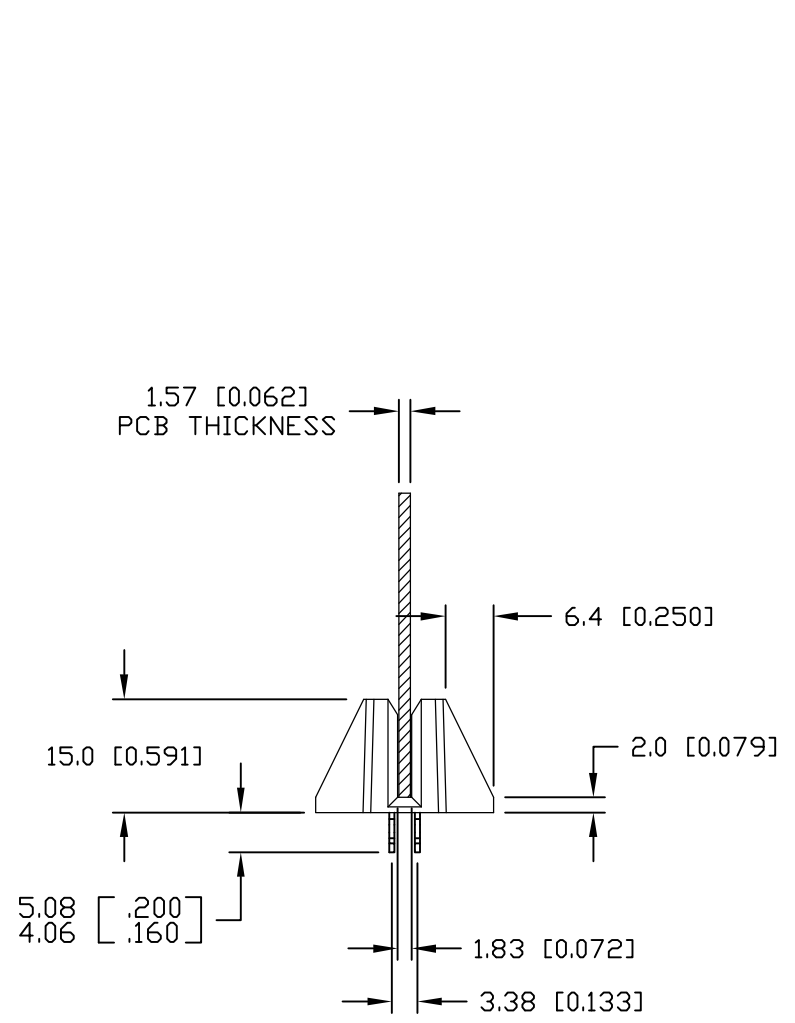
1926135-1
PART NUMBER

ELCON CROWN EDGE

THIS DRAWING IS A CONTROLLED DOCUMENT.		DWN R.GRZYBOWSKI 20APR06	Tyco Electronics Corporation Harrisburg, PA 17105-3608	
DIMENSIONS: mm		CHK S.FLICKINGER 20APR06		
TOLERANCES UNLESS OTHERWISE SPECIFIED:		APVD S.FLICKINGER 20APR06	NAME	
0 PLC ± - 1 PLC ± .5 [.020] 2 PLC ± .25 [.010] 3 PLC ± - 4 PLC ± - ANGLES ± .5		PRODUCT SPEC	CONNECTOR, SOCKET SIDE ENTRY CROWN EDGE	
MATERIAL		APPLICATION SPEC	SIZE	RESTRICTED TO
FINISH		WEIGHT	CAGE CODE	DRAWING NO
		CUSTOMER DRAWING	A3 00779	G-1926135
		SCALE	SHEET	REV
		1:1	1 OF 3	A

THIS DRAWING IS UNPUBLISHED. RELEASED FOR PUBLICATION
 © COPYRIGHT BY TYCO ELECTRONICS CORPORATION. ALL RIGHTS RESERVED.

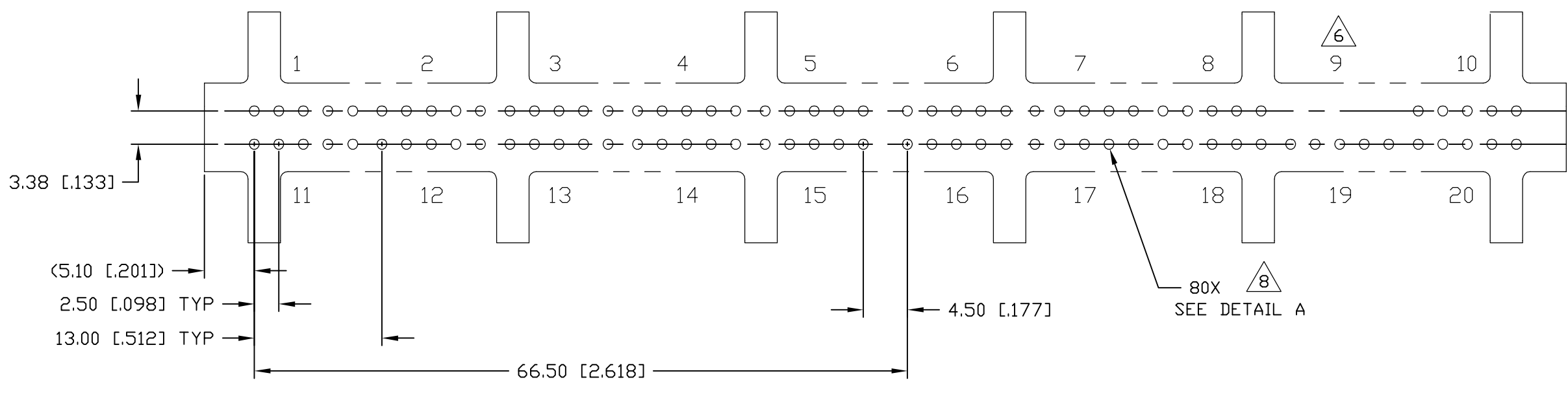
LOC	DIST	REVISIONS					
GP	00	P	LTR	DESCRIPTION	DATE	DWN	APVD
		-		SEE SHEET 1	-	-	-



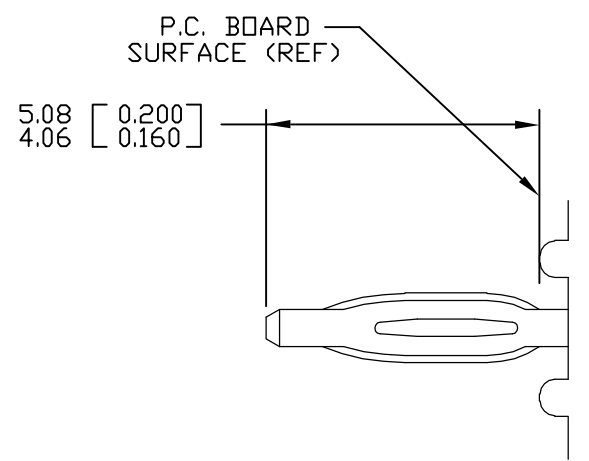
THIS DRAWING IS A CONTROLLED DOCUMENT.		DWN R.GRZYBOWSKI 20APR06	Tyco Electronics Corporation Harrisburg, PA 17105-3608	
DIMENSIONS: mm		CHK S.FLICKINGER 20APR06		
		APVD S.FLICKINGER 20APR06	NAME CONNECTOR, SOCKET SIDE ENTRY CROWN EDGE	
TOLERANCES UNLESS OTHERWISE SPECIFIED:		PRODUCT SPEC -	SIZE A3	
0 PLC ± -		APPLICATION SPEC -	CAGE CODE 00779	DRAWING NO C-1926135
1 PLC ± .5 [.020]		WEIGHT -	RESTRICTED TO -	
2 PLC ± .25 [.010]		CUSTOMER DRAWING		
3 PLC ± -		SCALE 1:1		
4 PLC ± -		SHEET 2 OF 3		
ANGLES ± .5		REV A		
FINISH -				

THIS DRAWING IS UNPUBLISHED. RELEASED FOR PUBLICATION
 © COPYRIGHT - BY TYCO ELECTRONICS CORPORATION. ALL RIGHTS RESERVED.

LOC	DIST	REVISIONS					
GP	00	P	LTR	DESCRIPTION	DATE	DWN	APVD
		-		SEE SHEET 1	-	-	-



SUGGESTED PCB LAYOUT
 SCALE 2=1



7. COMPLIANT PIN DETAIL
 INSERTION/EXTRACTION FORCES
 MAXIMUM PUSH-IN: 133.3N PER PIN [30 LBS]
 MINIMUM PUSH-OUT: 44.4N PER PIN [10 LBS]

8 DETAIL A

SOLDER TERMINATION AREA
 RECOMMENDED PRINTED CIRCUIT HOLE
 DRILLED HOLE: $\phi 1.15$ [0.0453] ± 0.13 [0.005]
 COPPER PLATE: .025 [0.0010] - .050 [0.0020] (PER SURFACE)
 TIN PLATE: .0005 [0.00002] MINIMUM (PER SURFACE)

THIS DRAWING IS A CONTROLLED DOCUMENT.		DWN	R.GRZYBOWSKI	20APR06	Tyco Electronics Corporation Harrisburg, PA 17105-3608		
DIMENSIONS: mm		CHK	S.FLICKINGER	20APR06			
TOLERANCES UNLESS OTHERWISE SPECIFIED:		APVD	S.FLICKINGER	20APR06	NAME		
0 PLC $\pm -$ 1 PLC $\pm .5$ [.020] 2 PLC $\pm .25$ [.010] 3 PLC $\pm -$ 4 PLC $\pm -$ ANGLES $\pm .5$		PRODUCT SPEC		CONNECTOR, SOCKET SIDE ENTRY CROWN EDGE			
MATERIAL		APPLICATION SPEC		SIZE			RESTRICTED TO
FINISH		WEIGHT		CAGE CODE		DRAWING NO	
-		-		A3 00779		C=1926135	-
CUSTOMER DRAWING				SCALE	1:1	SHEET	3 OF 3
				REV		A	