



PRODUCT SPECIFICATION

SPEC. No: _____

Attn: _____

DATE: Dec.17.2012

CUSTOMER PRODUCT NAME:
TDK PRODUCT NAME: WR-483250-15M2-G
APPROVED BY:
CUSTOMER COMMENT:
REMARK: Please sign back specification after customer conformation until 2weeks. If customer can't sign back specification, customer should be approved TDK specification.

TDK-EPC Corporation

Head Office Address:

1-13-1, Nihonbashi, Chuo-ku, Tokyo
103-0027 , Japan

SALES

MANAGER	SALES

ENGINEERING

APPROVED	CHECKED	ISSUED

Sales Office _____

Sales Tel. _____

PRODUCT	
---------	--

REVISED HISTORY

CUSTOMER PRODUCT NAME: _____

TDK PRODUCT NAME:

WR-483250-15M2-G

NO.	REV.	REVISED CONTENT	REVISED REASON	DATE
1	0	To establish specification		2012.12.17

PRODUCT SPECIFICATION

TDK PRODUCT NAME:

WR-483250-15M2-G

SPEC. NO.

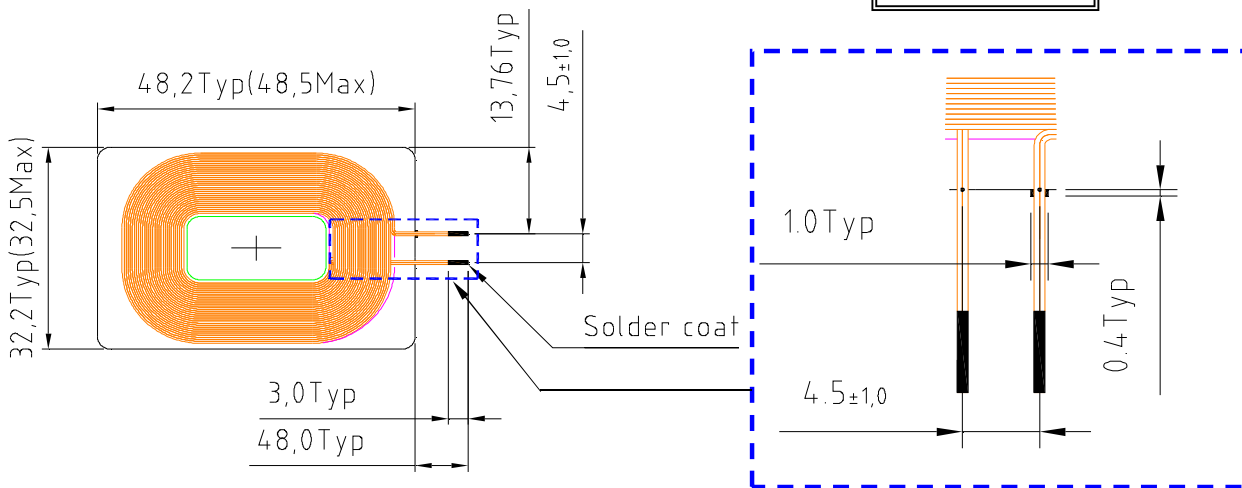
CUSTOMER PRODUCT NAME:

(1) Appearance & Dimensions (Unit: mm)

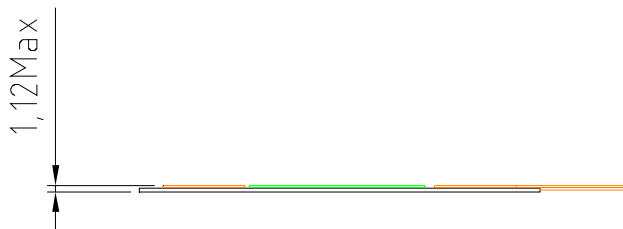
Weight: 6.30g (Typ.)

TOP VIEW

Lead wire pitch
/PET position
(Promised position)



SIDE VIEW



[Remarks]

1. Lead Wire Pitch is the end of wire position, not Output terminal.

2. Marking Content:

a. T: Manufacturing Centers

b. Lot No.: □□ ○○ △△

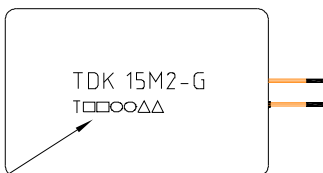
(1) (2) (3)

(1) Year: A.D. end number in double

(2) Month: Jan.(01) , Feb.(02)...Dec.(12)

(3) Day: 01,02,03,...31.

LOT NO.



PRODUCT SPECIFICATION

TDK PRODUCT NAME:

WR-483250-15M2-G

SPEC. NO.

CUSTOMER PRODUCT NAME:

(2) Air coil specification

Wire Diameter: $\phi 0.30 \times 2$ (Bifilar Winding Coil)

Coil Turns: 15Ts

(3) Electrical Characteristics

No.	Parameter	Specification	Test Instrument
1	Inductance	10.5 $\mu\text{H} \pm 5 \%$	HP 4284A DIGITAL LCR METER or EQUIVALENT (@100kHz 1.0 Vrms)
2	DC Resistance	0.20 Ω Max (At 25°C)	CHEN HWA 502A OHM METER or EQUIVALENT

(4) Temperature Characteristics

No.	Parameter	Specification
1	Operating Temperature	-30~70°C
2	Storage Temperature	-40~85°C

(5) Application

1. Reflow and dip-flow soldering can not used for this product.
2. The product fit in with RoHS rule.
3. The product fit in with Halogen-Free.

PRODUCT SPECIFICATION

TDK PRODUCT NAME: WR-483250-15M2-G	SPEC. NO.	CUSTOMER PRODUCT NAME:
--	-----------	------------------------

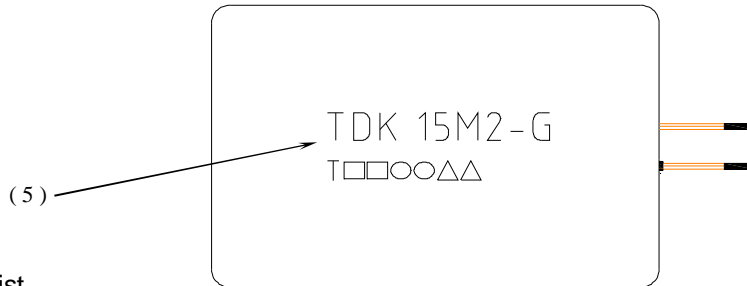
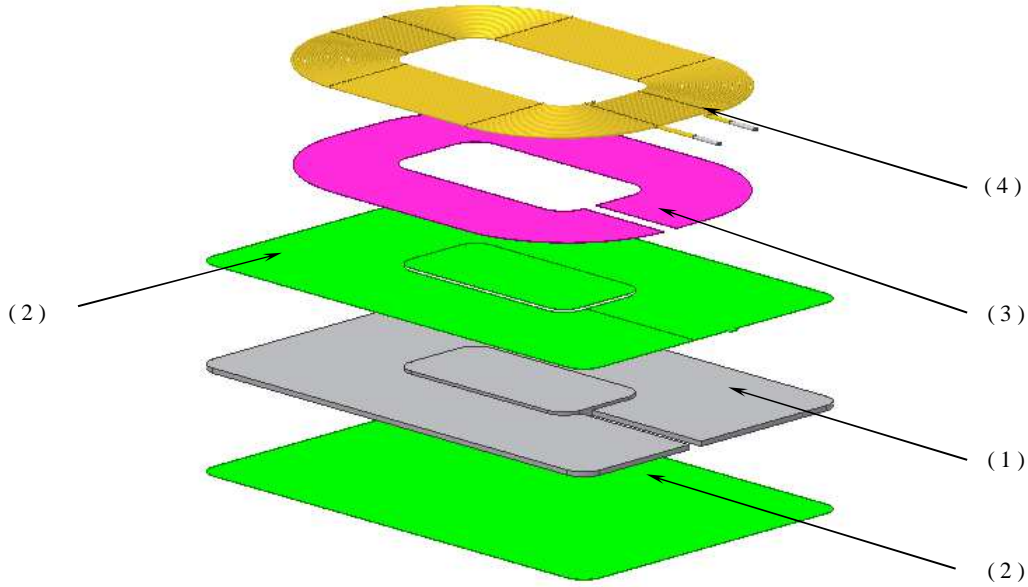
(6) Reliability Conditions

No.	Parameter	Conditions
1	Low Temperature (Storage)	(1) Temperature : $-40\pm 2^{\circ}\text{C}$ (2) Time : 240Hrs
2	High Temperature (Storage)	(1) Temperature : $+85\pm 2^{\circ}\text{C}$ (2) Time : 240Hrs
3	Thermal Shock (Storage)	(1) Temperature : $-40\pm 5^{\circ}\text{C}$ / 30min ~ $+85\pm 5^{\circ}\text{C}$ / 30min (2) Ambient Time : 5min (3) Times : 100cycles
4	Vibration	Unpacked: (1) frequency: 10~500Hz sweep octave wave(1 oct/ min) (2) Amplitude: 10G or 1.5mm P-P (3) Testing time : XYZ 2h/axis, total 6h
5	Shock Test	Fixed within the jig (1) Acceleration : $1000\text{m} / \text{s}^2$ (2) Pulse width : 6 msec (3) Direction : $\pm X$, $\pm Y$, $\pm Z$ (4) Frequency of shock : 3 times each (Total 18 times) Half-sine shock (1) 200G, 3ms(Gravity) (2) One shock per face (3) Total 6 shocks
6	Temperature / Humidity (Storage)	(1) Temperature : $+60\pm 2^{\circ}\text{C}$ (2) Humidity: 90% RH. (3) Time: 240Hrs
7	Drop Test	(1) Height : 160cm to the concrete floor (fixture weight : 100g(REF)) (2) Direction : 6 directions (3) Times : 3 times / direction
8	Package Drop	(1) Drop the sample package in a carton box. (2) Height : 100 cm (3) Direction : 1corner, 3 edges, 6 faces (4) Drop time : 16 times

PRODUCT SPECIFICATION

TDK PRODUCT NAME: WR-483250-15M2-G	SPEC. NO.	CUSTOMER PRODUCT NAME:
--	-----------	------------------------

(7) Construction



(8) Material List

No.	Material Name
1	Iron Sheet
2	PET Tape
3	Adhesive Tape
4	Air Coil
5	Ink

PRODUCT SPECIFICATION

TDK PRODUCT NAME:

WR-483250-15M2-G

SPEC. NO.

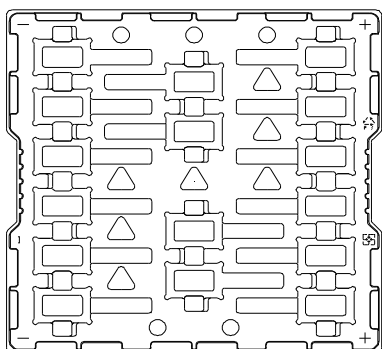
CUSTOMER PRODUCT NAME:

(9) Packing

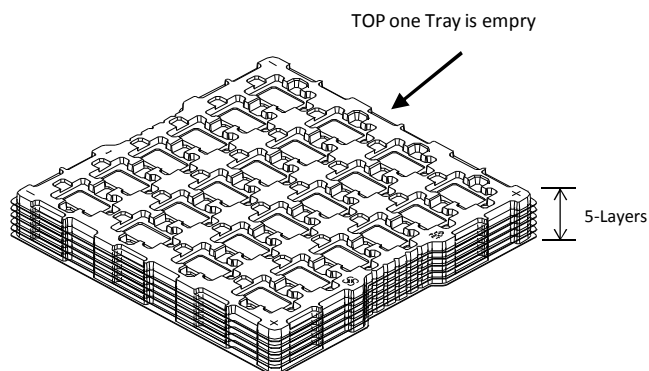
1. To stack the the Trays onto 5 Layers. :

- PS tray dimension: 326*329*9.5mm (REF.)

- 16 Pcs / per PS tray



Total : 6x2+4=16pcs

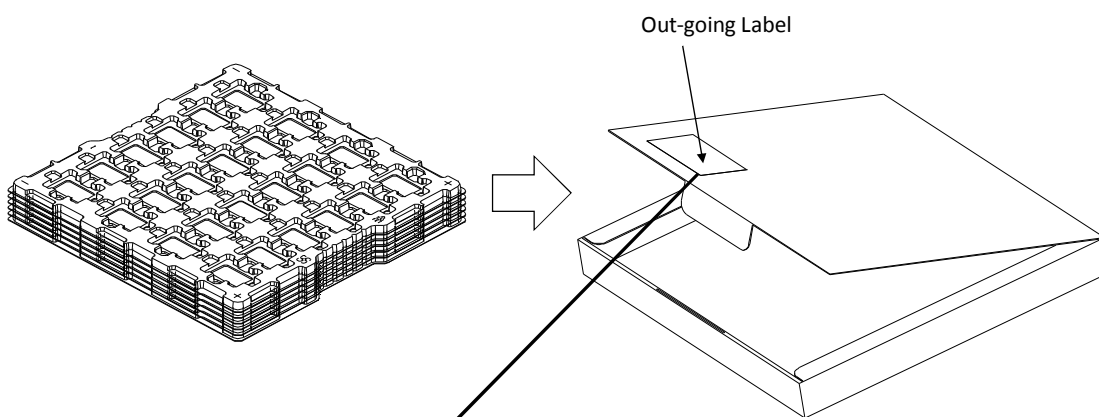


Total : 16x4=64pcs

2. To put 5 Trays of products into the small Carton and affixing the out-going label on the outside .

- Small carton dimension: 331*337*33mm (REF.)

- 5 PS Trays / per small carton (One PS tray of the top side is empty in the small carton)



CUST PROD ID(P): WR-383250-17M2-XX

Customer



ROHS

QTY(Q): 120

(6P):TXDF10108TWN050009010



TDK ITEM(1P): R-383250-17M2-XX

VDR(V):TDK



LOT NO(1T): WL11K06001+M0001

DATE CODE(T): 1143

0001



001/014

2011/10/09

MADE IN TAIWAN

12296A1181

(ITEM:WR-383250-17M2-XX)

(1M)TTXDF10108

TDK TAIWAN CORPORATION



(S)

Out-going Label

PRODUCT SPECIFICATION

TDK PRODUCT NAME:

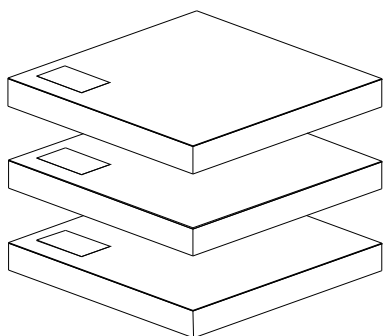
WR-483250-15M2-G

SPEC. NO.

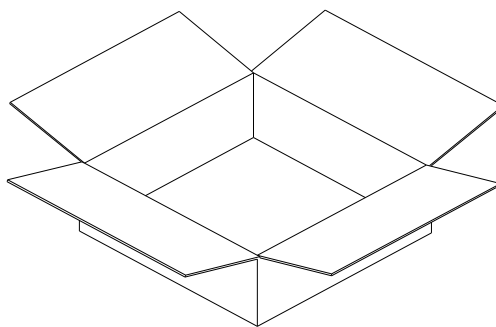
CUSTOMER PRODUCT NAME:

3. To put 3 small carton into the Carton .

- Outer carton dimension: 347*340*124mm (REF.)
- 3 small cartons / per outer carton
- Total quantity : 192 Pcs



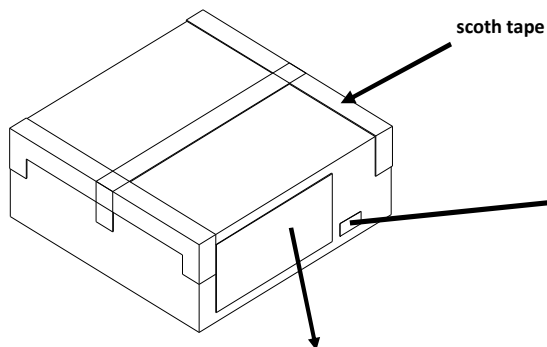
3 small cartons



Outer carton

4. Packing.

- To pack the carton by scotch tape and affix out-going label (outside) on it outside.
- The Inspection data in the box , there would be a signet mark on it outside.



INSPECTION DATA
ENCLOSED
檢驗紀錄表在內

signet mark of Inspection data

(3S) TTW+WL11K0600200101400000360		CUSTOMER: Customer	
		CUST. PART NO(P): 12A34567-89A	
(6S) C/NO:1	BOX COUNT		
	001/009	TDK ITEM CODE(6P): TXDF10105TWN	
SHIPPING MARK		P/O NO.(K): TSHV-S001016344	
ROHS			
<p>SAMPLE</p> <p>Customer</p> <p>SHANGHAI</p> <p>MADE IN TAIWAN</p> <p>WLXXXXXXXXX 12345A6789</p>		LOT NO.(IT): WL12345678	DATE: Oct.07.2011
		QTY(Q): 288	
		TDK ITEM (1P): WR-483250-15M2-S-XX	
		(WR-483250-15M2-XX)	
SUB P/O NO.(6K): 4500059424			
TDK SPEC.			
C/NO:1	WAREHOUSE	(CT)	
	NW 3.6 GW 4.0	TDK TAIWAN CORPORATION	YANGMEI, TAIWAN 9
		TTXDF10105	

out-going label (outside)