

## ***bq76920 Evaluation Module User's Guide***

The bq76920EVM evaluation module (EVM) is a complete evaluation system for the bq76920, a 3-cell to 5-cell Li-Ion battery analog front end (AFE) integrated circuit. The EVM consists of a bq76920 circuit module which is used for simple evaluation of the bq76920 AFE and bq78350 gauge functions. The circuit module includes one bq76920 integrated circuit (IC), sense resistor, power FETs, and all other onboard components necessary to protect the cells from overcharge, over discharge, short circuit, and overcurrent discharge in a 5-series cell Li-Ion or Li-Polymer battery pack. The circuit module connects directly across the cells in a battery. With a compatible interface board and Microsoft® Windows® based PC graphical user interface (GUI) software, the user can view the device registers, adjust protection limits and enable FET control outputs.

### **Contents**

1	Features.....	3
	1.1 Kit Contents.....	3
	1.2 Ordering Information .....	3
	1.3 bq76920 Circuit Module Performance Specification Summary .....	3
	1.4 Required Equipment.....	3
2	bq76920 EVM Quick Start Guide .....	4
	2.1 Before You Begin .....	4
	2.2 Quick Start.....	4
3	Interface Adapter.....	8
4	bq76940/bq76930/bq76920 Software .....	8
	4.1 System Requirements.....	8
	4.2 Installing the bq76940/bq76930/bq76920 Software .....	8
	4.3 Interface Adapter.....	8
	4.4 Software Operation .....	9
5	Battery Management Studio Software.....	13
	5.1 System Requirements .....	13
	5.2 Installing bqStudio.....	14
	5.3 Interface Adapter SMB .....	14
	5.4 bqStudio Operation .....	14
	5.5 Firmware Programming.....	15
	5.6 Data Memory Configuration.....	17
	5.7 Chemistry View .....	18
	5.8 Calibration .....	19
	5.9 Device Control .....	21
6	bq76920 Circuit Module Use.....	21
	6.1 Cell Simulator .....	21
	6.2 Evaluating with Simulated Current .....	22
	6.3 Reducing the Cell Count .....	22
	6.4 Connecting Cells .....	23
	6.5 Connecting to a Host .....	25
	6.6 Gauge Circuits.....	26
	6.7 Unused Components .....	26
7	bq76920EVM Circuit Module Physical Construction.....	28
	7.1 Board Layout.....	28
	7.2 Bill of Materials .....	37
8	Related Documents From Texas Instruments .....	43

### List of Figures

1	EVM Connection for Basic AFE Operation .....	5
2	EVM Connection for Basic Gauge Operation .....	7
3	bq76940/bq76930/bq76920 Evaluation Software Display .....	9
4	Registers View .....	10
5	I2C Pro View .....	12
6	Sequence View .....	12
7	Target Selection Wizard .....	14
8	bqStudio Window with Blank Gauge .....	15
9	Firmware View .....	16
10	Dashboard Adapter and Device Version Display .....	16
11	Register View After Restart .....	17
12	Data Memory Bit Field change .....	18
13	Chemistry View .....	19
14	Calibration View .....	20
15	Example Voltage Calibration Successful .....	20
16	Advanced Comm SMB View .....	21
17	Simulating Current Setup .....	22
18	Example 3 Cell Simple Evaluation Configuration .....	23
19	Example Connection With 4 Cells .....	25
20	Host Connection Concept .....	26
21	Top Silk Screen .....	29
22	Top Assembly .....	30
23	Top Layer .....	31
24	Layer 2 .....	32
25	Layer 3 .....	33
26	Bottom Layer .....	34
27	Bottom Silk Screen .....	35
28	Bottom Assembly .....	36
29	Schematic Diagram AFE .....	40
30	Schematic Diagram Gauge .....	41
31	Schematic Diagram Cell Simulator .....	42

### List of Tables

1	Ordering Information .....	3
2	Performance Specification Summary .....	3
3	Reducing Cell Count .....	23
4	bq76920 Circuit Module Bill of Materials .....	37

### Trademarks

Microsoft, Windows are registered trademarks of Microsoft Corporation.  
All other trademarks are the property of their respective owners.

## 1 Features

- Complete evaluation system for the bq76920 3-cell to 5-cell Li-Ion and Phosphate battery AFE
- Populated circuit module for 5-cell configuration for quick setup
- Power connections available on banana jacks
- Communication signals available on 4-pin connector
- Resistor cell simulator for quick setup with only a power supply
- PC software available for configuration

### 1.1 Kit Contents

- bq76920 circuit module
- Cable to connect the EVM to an EV2400 or EV2300 interface board

### 1.2 Ordering Information

For complete ordering information, refer to the product folder at [www.ti.com](http://www.ti.com).

**Table 1. Ordering Information**

EVM Part Number	Chemistry	Configuration	Capacity
bq76920EVM	Li-Ion	5 cells	Any

---

**NOTE:** Although capacity is shown as *Any*, practical limits of the physical construction of the module typically limits the operation of the EVM to a 1P or 2P battery construction. Refer to the physical construction section for board details.

---

### 1.3 bq76920 Circuit Module Performance Specification Summary

This section summarizes the performance specifications of the bq76920 circuit module in its default 5-cell series FET configuration.

Typical voltage depends on the number of cells configured. Typical current depends on the application. Board cooling may be required for continuous operation at or below maximum current.

**Table 2. Performance Specification Summary**

Specification	Min	Typ	Max	Unit
Input voltage BATT+ with respect to BATT-	6	–	25	V
Continuous charge or discharge current	0	–	15	A
Operating temperature range	20	25	30	°C

### 1.4 Required Equipment

The following equipment is required to operate the bq76920 EVM in a simple demonstration:

- DC power supply, 0–25 V at 0.5 A for the AFE, 2.5 A for the gauge
- DC voltmeter
- TI EV2400 or EV2300 interface board
- Computer with USB port and compatible Windows operating system and access to the internet
- Test leads to connect equipment
- Electronic load or assorted resistors, calibrated load or load with accurate current meter required for gauge evaluation

Additional equipment may be desired to operate the bq76920 with a more extensive demonstration.

## 2 bq76920 EVM Quick Start Guide

### 2.1 Before You Begin

The following warnings and cautions are noted for the safety of anyone using or working close to the bq76920 EVM. Observe all safety precautions.



#### Warning

The bq76920EVM circuit module may become hot during operation due to dissipation of heat. Avoid contact with the board. Follow all applicable safety procedures applicable to your laboratory.



#### Caution

Do not leave the EVM powered when unattended.

#### CAUTION

The circuit module has signal traces, components, and component leads on the bottom of the board. This may result in exposed voltages, hot surfaces or sharp edges. Do not reach under the board during operation.

#### CAUTION

The circuit module may be damaged by over temperature. To avoid damage, monitor the temperature during evaluation and provide cooling, as needed, for your system environment.

#### CAUTION

Some power supplies can be damaged by application of external voltages. If using more than 1 power supply, check your equipment requirements and use blocking diodes or other isolation techniques, as needed, to prevent damage to your equipment.

#### CAUTION

The communication interface is not isolated on the EVM. Be sure no ground potential exists between the computer and the EVM. Also be aware that the computer is referenced to the Battery- potential of the EVM.

### 2.2 Quick Start

Determine if you wish to evaluate the AFE alone or with the gauge. For the AFE, proceed to [Section 2.2.1](#). For the gauge, skip to [Section 2.2.2](#).

#### 2.2.1 AFE Quick Start

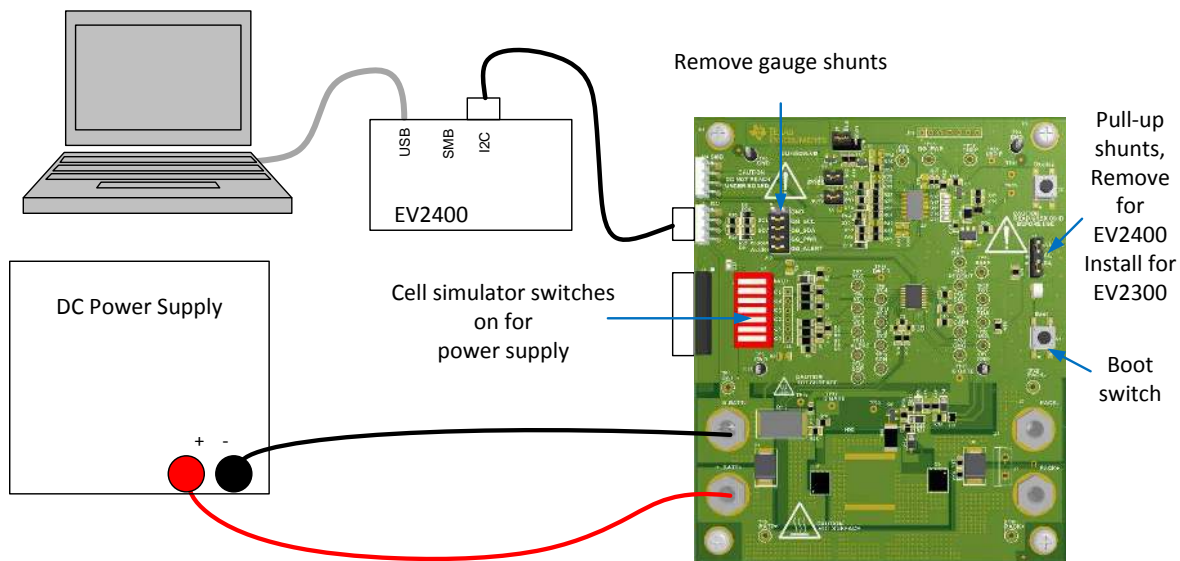
These steps describe quick connection of the bq76920 EVM to demonstrate operation of the AFE portion of the EVM. For more detailed descriptions, refer to other sections of the user guide.

Refer to [Figure 1](#) for the following steps.

1. Download the bq76940/bq76930/bq76920 Evaluation Software from the tool folder link [www.ti.com/tool/bq76920EVM](http://www.ti.com/tool/bq76920EVM) or search from [www.ti.com](http://www.ti.com).

2. Install the bq76940/bq76930/bq76920 evaluation software (see [Section 4](#)). Install drivers for the EV2300, if necessary.
3. Remove shunts from headers connecting the AFE to the gauge.
4. If the EV2300 is used, install shunts on the SCL and SDA pull-up headers. Remove any pull-up shunts when using the EV2400.
5. Close all dip switch positions (default is closed).
6. Attach the interface board communication adapter to the PC using USB cable. The EV2400 is recommended, the EV2300 works if it is available and drivers are installed.
7. Attach the interface board I2C connector to the EVM I2C connector using the 4-pin cable.
8. Connect a 0-V DC power supply capable of 250 mA minimum to the “BATT” terminals and adjust to approximately 18 V. The illuminated LED indicates the cell simulator resistor divider is powered.
9. Press and release the *BOOT* switch.
10. Start the bq769X0 evaluation software. The GUI should display. Click on the *Scan* box to enable repeated update of the display. The power supply may be adjusted within range of the part to observe voltage changes in the GUI display *Stack V/T/I* section.
11. Set the voltage to approximately 18 V or a mid-range operating level. Clear any faults present by clicking on the **Clear Faults** button of the *All Read/Write Registers* section of the GUI.
12. Click on the **Continuous** button in the GUI Coulomb Counter section. Enable the CHG\_ON and DSG\_ON bits by clicking on the bit and commit the changes. Apply a load to the PACK terminals. Load current must be within the capability of the supply and the components installed or 15 A, whichever is lower. Observe the Coulomb Counter value change in the GUI display *Stack V/T/I* section.
13. Make other adjustments as desired, for evaluation.

Refer to other sections of this user guide for additional details.



**Figure 1. EVM Connection for Basic AFE Operation**

## 2.2.2 Gauge Quick Start

These steps describe quick connection of the bq76920 EVM to demonstrate operation of the gauge portion of the EVM. For more detailed descriptions, refer to other sections of the user guide. If you are new to bqStudio software, you may wish to refer to the more detailed instructions for installing the software in [Section 5](#) before using the quick start.

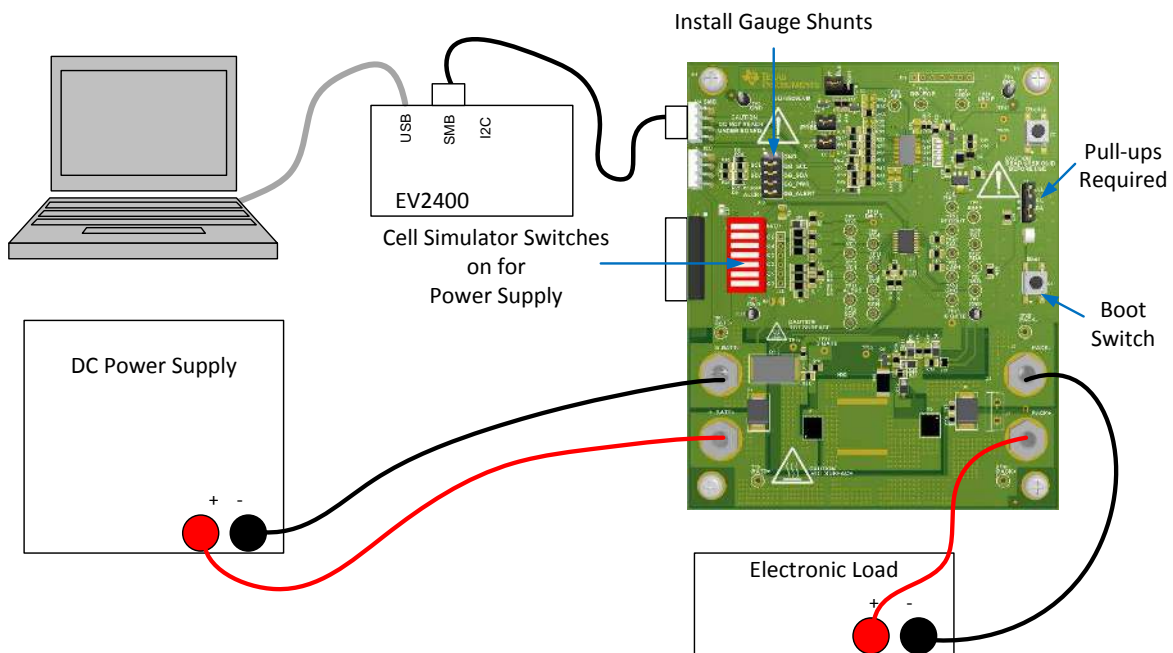
Refer to [Figure 2](#) for the following steps.

1. Download the Battery Management Studio (bqStudio) software from the latest bq78350 product folder link [www.ti.com/product/bq78350-R1](http://www.ti.com/product/bq78350-R1) or search from [www.ti.com](http://www.ti.com).
2. Install the bqStudio software. Install drivers for the EV2300, if necessary.
3. Install 4 shunts on the J12 header connecting the AFE to the gauge: GG\_SCL, GG\_SDA, GG\_PWR and GG\_ALERT.
4. Install shunts on the SCL and SDA pull-up headers.
5. Install shunts on the /KEY, /PRES and 16/17 positions of the other headers.
6. Close all dip switch positions (default is closed).
7. Attach the interface board communication adapter to the PC using USB cable. The EV2400 version 0.18 or later may be used. Check the [EV2400](#) tool folder for available updates. Do not use the original 0.05 version EV2400 since it may damage the EVM. The EV2300 works if it is available and drivers are installed.
8. Attach the interface board SMB connector to the EVM SMB connector using the 4-pin cable.
9. Remove any connection to the I2C connector. This connector must remain open for operation with the gauge.
10. Connect a 0-V DC power supply capable of 2 A minimum to the "BATT" terminals and adjust to approximately 15 (3V/cell) V. The illuminated LED indicates the cell simulator resistor divider is powered.
11. Press and release the *BOOT* switch.
12. Start the bqStudio software. The EVM has shipped with different versions of the bq78350 firmware. Observe the windows which display as the software starts. If a Register View window appears similar to [Figure 11](#), check the gauge device version in the dashboard view on the left side of the window. If the version is the latest, proceed to , otherwise perform the following steps. At this update bq78350-R1 is the production version, bq78350-R2 firmware is available.
  - a. The bq78350 on the initial EVMs shipped blank, so the bqStudio will present a Target Selection Wizard box. Select the latest version of the bq78350 from the list and select the **Finish** button. Acknowledge the Proceed and the Battery Management Studio Timeout windows. The GUI should display similar to [Figure 8](#).
  - b. If the gauge is not blank it will display the version in the dashboard similar to [Figure 10](#). If the version is correct proceed with evaluation.
  - c. Download the bq78350\_xx firmware bundle from the latest bq78350 product folder such as [www.ti.com/product/bq78350-R1](http://www.ti.com/product/bq78350-R1), save it to a temporary location on your computer, and run the installer. Observe the installation directory of the firmware file, typically C:\ProgramData\Texas Instruments\bq78350xxFirmwareBundle-xxxx
  - d. Click on the bqStudio **Firmware** button at the top of the window to select the firmware view.
  - e. Click on the **Browse** button right of the program window, navigate to and select the installed .src file.
  - f. Click on the **Program** button. Wait for the programming status window to close, typically about 45 s.
  - g. Restart the bqStudio software so it can autodetect the device.
13. In the registers view, select the **Refresh** button and observe that there are 3 cell voltages.
14. Change the cell count to the number of cells supported by the board: Select the *Data Memory* view, then the **Settings** button and the AFE Cell Map register. Change the value to 0x001F and click on the **Write to Data Memory** button. Read data memory if desired to confirm the new value.
15. Send a Reset command using the *Commands* view or the from the *Advanced Comm SMB* view.



16. Select the *Registers* view and Refresh the values. Observe that all supported cells now show a voltage reading.
17. Send the FET\_EN command using the *Commands* view or the from the *Advanced Comm SMB* view.
18. Select the *Registers* view and Refresh the values. Observe that the FET\_EN bit is now set and that the CHG and DSG FET status is shown enabled.
19. Select the *Calibration bq78350* view.
20. Enter the board temperature in the *Temperature Sensor* boxes and click on the **Calibrate Temperature** button. Wait until a check box appears next to the button.
21. Measure the voltage of the BATT terminals. Divide the value by the number of cells and enter the value in mV in the *Ext Average Cell Voltage* box. Click on the **Calibrate Voltage** button. Wait until a check box appears next to the button.
22. Disconnect the load from the PACK terminals. Click on the **Calibrate CC Offset** button and wait until the check mark appears next to the button.
23. Connect the load set to a known value of approximately 2 A to the PACK terminals. Enter the value in mA into the *Applied Current* box. Discharge current should be entered as a negative value. Click on the **Calibrate Current** button and wait until the check mark appears next to the button.
24. Select the *Registers* view and Refresh the values. Observe the updated voltage, temperature and current values.

The EVM is functioning and ready for further configuration for evaluation. Refer to the Technical Reference Manual (TRM) or other documents for the bq78350, and the other sections of this user guide for additional information.



**Figure 2. EVM Connection for Basic Gauge Operation**

### 3 Interface Adapter

The bq76940/bq76930/bq76920 evaluation software and bqStudio software support either the TI EV2400 or EV2300 interface board to provide communication with the EVM board from the computer. The EV2400 is the recommended interface and uses operating system drivers so no separate installation is required. Drivers must be installed for the EV2300 and may not be available for newer operating systems. Do not connect the EV2300 interface board to the computer until after the drivers are installed.

To use the EV2400 to program the bq78350, its firmware must be updated to version 0.18 or newer. The firmware version of the EV2400 may be observed in the bqStudio dashboard, see [Figure 10](#). Find the latest EV2400 Firmware Updater in the tool folder <http://www.ti.com/tool/ev2400>.

If you have used an EV2300 with your computer previously, no additional installation is required. EV2300 drivers are included in the bq76940 software installation package and are found in the installation directory after installing the software, typically at c:\Program Files (x86)\Texas Instruments\bq76940. Alternatively or for the bqStudio software, drivers are found at [http://e2e.ti.com/support/power\\_management/battery\\_management/m/videos\\_\\_files/458983.aspx](http://e2e.ti.com/support/power_management/battery_management/m/videos__files/458983.aspx) or <http://www.ti.com/tool/ev2300>. Install the drivers by following these steps:

1. Navigate to the directory with the drivers.
2. Run the file *EV2300....exe* file

### 4 bq76940/bq76930/bq76920 Software

This section describes how to install and use the bq76940/bq76930/bq76920 software for the EVM. This software is used when evaluating the AFE alone without the gauge. For evaluation with the bq78350 gauge, refer to [Section 5](#).

The bq76940/bq76930/bq76920 software supports the bq76920 AFE I<sup>2</sup>C communication. This software is intended to demonstrate register control and operation of the bq769x0 family of AFEs in the absence of a gauge or MCU. This software is not intended to operate on a bus with another master. The AFE does not turn on the protection FETs without control, the bq76940/bq76930/bq76920 software provides that control from the GUI.

The software may also be identified as bq76940 or bq769X0 in menus or windows as space permits.

#### 4.1 System Requirements

The bq76940/bq76930/bq76920 software requires a Windows 7, or later operating system. The computer must also have Microsoft® .NET connection software version 4.0, or higher, installed. The examples in this document are from Windows 7.

#### 4.2 Installing the bq76940/bq76930/bq76920 Software

Find the latest software version in the software section of the EVM tool folder <http://www.ti.com/tool/bq76920EVM> or search from [power.ti.com](http://power.ti.com). Check periodically for software updates. Use the following steps to install the bq76940/bq76930/bq76920 software:

1. Copy the archive file to a directory of your choice, extract all files and run the setup.exe application.
2. Follow the instructions and make selections as required on the setup windows selecting **Next**, as required. TI recommends installing the software in the default location.
3. On the last window, select **Close** to complete the bq76940/bq76930/bq76920 software installation.

#### 4.3 Interface Adapter

The interface adapter I2C connector should be connected to the I2C connector for use with the bq76940 software. Board pull-up shunts must be installed for the EV2300 and removed for the EV2400. The interface adapter should not be connected to the I2C connector if a gauge or MCU is connected to the bus.



## 4.4 Software Operation

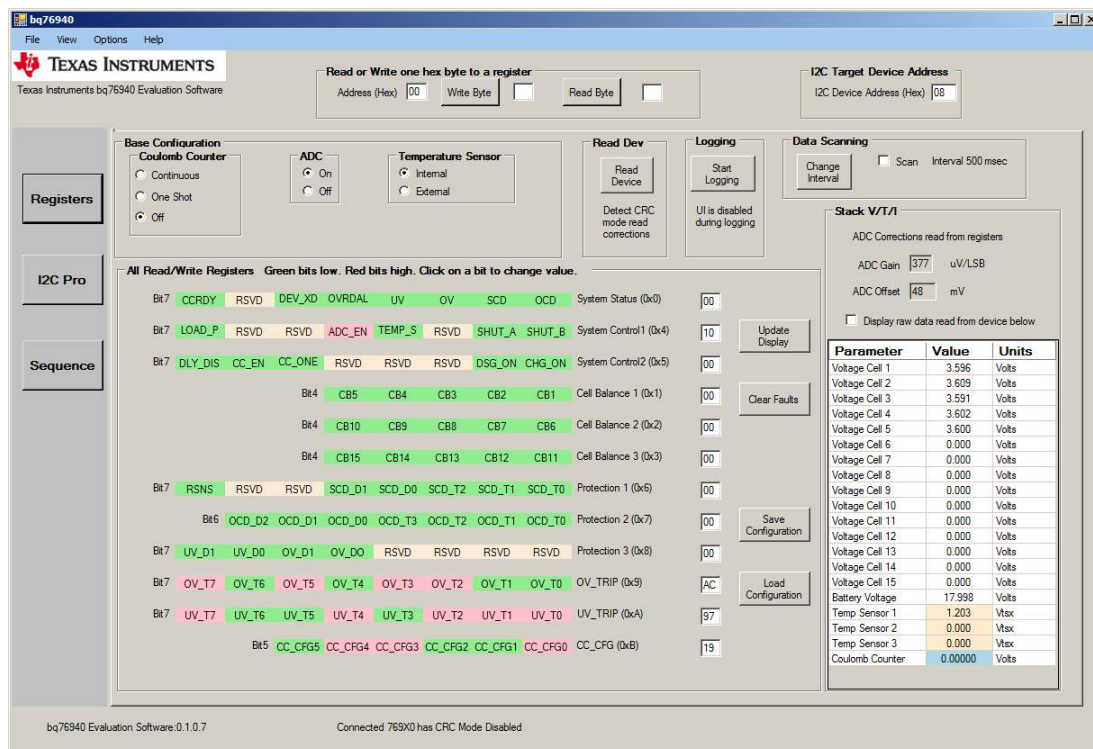
This section describes connection of the communication interface to the EVM and operation of the software.

Although the software runs without connection to a powered device, it is recommended to have the device on when starting the software. Follow the directions in the [quick start](#) section. [Figure 1](#) shows connections for operation with the GUI software.

Start the software from the desktop shortcut *bq769X0 Evaluation Software* or the menu *Start → All Programs → Texas Instruments → bq769X0 Eval Software*.

When started, the software looks for the communication interface and the device. If either is not found, a popup window appears and must be acknowledged. When communication is established with the device, the main window appears as shown in [Figure 3](#).

The bq76940/bq76930/bq76920 software uses popup help tips on many of the control features.



**Figure 3. bq76940/bq76930/bq76920 Evaluation Software Display**

The software window contains a menu bar and 3 sections. The top section is an I2C tool. The middle section has 3 selectable views. The bottom section is a status section. Details are described in following sections.

### 4.4.1 Status Section

The bottom section displays the software name and version, the CRC mode and the communication status. The CRC mode is automatically detected and the software communicates to the IC appropriately. To the right of the CRC mode is a communication status area which may display information about the communication with the device. Common displays and actions may include the following:

- *Data channel name is invalid.* Check the USB connection to the interface board. Exit and restart the software
- *No acknowledge from device.* Check that the 4 pin cable is connected, the EVM is powered and boot the device, then try to read the device.
- *CRC read from device does not match calculated CRC.* Check that the **Read Device** button was used

- to detect the device. Check the connection of the 4 pin cable or its routing near high noise sources.
- *Not able to find a free communication adapter.* Check the connection of the USB cable to the communication adapter.
- *USB adapter timeout.* Unplug and re-connect the USB cable and try to read from the device again.
- When the status area is blank, the last communication with the device was successful

#### 4.4.2 I2C Section

The top section of the window below the menu bar has the I2C address and a byte communication tool.

The I2C address must be entered, the tool does not automatically detect the address. The default address is 0x08 which is the default address for the device on the EVM. If the AFE on the EVM has been changed to a different address, the address must be entered. The value is the 7 bit address and is shifted left 1 bit position when observed on the bus.

The byte communication tool is useful to read or write a register. It is present with all views.

#### 4.4.3 Menu Commands

The Help > About menu selection displays version information about the program. Other selections may provide additional help or links to documentation.

The Options > Verify Writes selection allows selection of a readback of the registers once they are written.

The View menu allows selection of the center window display. Options are the Registers, I2C Pro or Sequence views. Views can also be selected with buttons on the left side of the window.

Exit the program with the File menu.

#### 4.4.4 Registers View

The registers view is the default display in the middle of the window when the software is started, see [Figure 4](#). It shows the control register values. If another view is displayed it is selected using the **Registers** button on the left side of the window or from the menu.



**Base Configuration**

- Coulomb Counter:  Continuous,  One Shot,  Off
- ADC:  On,  Off
- Temperature Sensor:  Internal,  External

**Read Dev**

Read Device

Detect CRC mode read corrections

**Logging**

Start Logging

UI is disabled during logging

**Data Scanning**

Change Interval  Scan Interval 500 msec

**Stack V/T/I**

ADC Corrections read from registers

ADC Gain  uV/LSB

ADC Offset  mV

Display raw data read from device below

Parameter	Value	Units
Voltage Cell 1	3.594	Volts
Voltage Cell 2	3.608	Volts
Voltage Cell 3	3.589	Volts
Voltage Cell 4	3.600	Volts
Voltage Cell 5	3.599	Volts
Voltage Cell 6	0.000	Volts
Voltage Cell 7	0.000	Volts
Voltage Cell 8	0.000	Volts
Voltage Cell 9	0.000	Volts
Voltage Cell 10	0.000	Volts
Voltage Cell 11	0.000	Volts
Voltage Cell 12	0.000	Volts
Voltage Cell 13	0.000	Volts
Voltage Cell 14	0.000	Volts
Voltage Cell 15	0.000	Volts
Battery Voltage	17.989	Volts
Temp Sensor 1	1.203	Vt <sub>5x</sub>
Temp Sensor 2	0.000	Vt <sub>5x</sub>
Temp Sensor 3	0.000	Vt <sub>5x</sub>
Coulomb Counter	0.00000	Volts

**All Read/Write Registers** Green bits low. Red bits high. Click on a bit to change value.

Bit	Register	Value	Label	Value						
Bit 7	CCR_DY	RSVD	DEV_XD	OVRDAL	UV	OV	SCD	OCD	System Status (0x0)	80
Bit 7	LOAD_P	RSVD	RSVD	ADC_EN	TEMP_S	RSVD	SHUT_A	SHUT_B	System Control1 (0x4)	10
Bit 7	DLY_DIS	CC_EN	CC_ONE	RSVD	RSVD	RSVD	DSG_ON	CHG_ON	System Control2 (0x5)	40
Bit 4	CB5	CB4	CB3	CB2	CB1	Cell Balance 1 (0x1)	00			
Bit 4	CB10	CB9	CB8	CB7	CB6	Cell Balance 2 (0x2)	00			
Bit 4	CB15	CB14	CB13	CB12	CB11	Cell Balance 3 (0x3)	00			
Bit 7	RSNS	RSVD	RSVD	SCD_D1	SCD_D0	SCD_T2	SCD_T1	SCD_T0	Protection 1 (0x6)	00
Bit 6	OCD_D2	OCD_D1	OCD_D0	OCD_T3	OCD_T2	OCD_T1	OCD_T0	Protection 2 (0x7)	00	
Bit 7	UV_D1	UV_D0	OV_D1	OV_D0	RSVD	RSVD	RSVD	RSVD	Protection 3 (0x8)	00
Bit 7	OV_T7	OV_T6	OV_T5	OV_T4	OV_T3	OV_T2	OV_T1	OV_T0	OV_TRIP (0x9)	AC
Bit 7	UV_T7	UV_T6	UV_T5	UV_T4	UV_T3	UV_T2	UV_T1	UV_T0	UV_TRIP (0xA)	97
Bit 5	CC_CFG5	CC_CFG4	CC_CFG3	CC_CFG2	CC_CFG1	CC_CFG0	CC_CFG	CC_CFG (0xB)		19

Figure 4. Registers View

The **Read Device** button at the top of the Registers view provides important setup of the bq76940/bq76930/bq76920 software and the IC. The software reads the factory gain and offset data from the device and populates these in the *Stack V/T/I* section for use in calculating display values. The software writes the CC\_CFG register to its proper value and also detects the CRC mode of the device and sets the software appropriately.

The control registers are shown in the center of the display in the *All Read/Write Registers* section. Bits are color coded as described in the section. Bits may be changed by clicking on the bit and selecting **Commit** button in the Change value pop-up window. The default for the pop up window is to change the polarity of the bit. Since clearing status bits requires a write of 1, the *Set bit high* needs to be checked in the Change value pop-up window when clearing status register bits. A bit value change is displayed if the Options menu Verify Writes is selected.

Control registers can also be changed as register values by writing in the value box to the right of the value box. Scan must be disabled to enter values. Register values may also be changed using the I2C byte write tool at the top of the window. Register changes are visible if the Verify Writes option is enabled. The display may also be updated using the **Update Display** button or selecting **Scan**.

The *All Read/Write Registers* section contains 4 buttons to the right of the register display:

- **Update Display:** This button reads all control and value registers and updates the values, bit breakout fields and control features.
- **Clear Faults:** This button clears the status register.
- **Save Configuration:** This button allows saving the displayed values of the control register to a file. A pop-up box allows selection of the file name. The default file location is C:\Users\- **Load configuration:** This button allows loading the control register values from a file. A pop-up box allows selection of the file, another pop up box lets you select whether to write the values to the device. If faults are not set in the status register value in the file, they are not cleared by the write.

The *Base Configuration* section shown above the register detail provides convenient control of the Coulomb Counter, ADC and Temperature Sensor selection as functional controls without locating the control bits.

The *Data Scanning* section allows periodic read of the device and display of the register values. The Scan check box enables the read when checked. The update interval is displayed and can be changed with the **Change Interval** button.

The *Logging* section has the **Start Logging** button. The values read from the device can be saved to a file. Selecting the **Start Logging** button opens a bq76940 Logging popup window to enter the file name, comments and to select the data groups to be logged. The file name must be entered with the pop up window's **Browse** button. The scan interval can be changed, and the logging is actually started in the pop up window. When logging is active, the registers user interface cannot be used and the button changes to **Stop Logging**. Selecting the button stops the logging. Scan is not necessary before logging, it will start with logging and cannot be disabled during logging.

The *Stack V/T/I* section is on the right side of the Registers view (Figure 4). The ADC Gain and Offset boxes show the values that are used for converting the register data into values. These value boxes are read only, they are updated by the values read from the device with the **Read Device** button. The *Display raw data read from device below* check box allows display of the hex register values rather than converted values. The V/T/I values are updated by the **Read Device** button, the **Update Display** button, or the Scan option.

#### 4.4.5 I2C Pro View

Figure 5 shows the I2C Pro view of the GUI. The I2C Pro view is useful to read or write several sequential registers. If another view is displayed, it can be selected using the **I2C PRO** button on the left side of the window or from the menu. The *I2C Command* box for each section specifies the starting register address for the transaction.

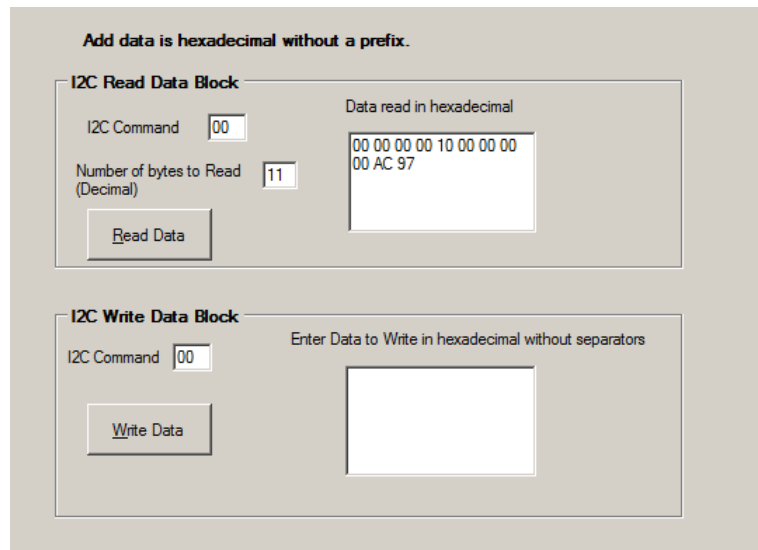


Figure 5. I2C Pro View

#### 4.4.6 Sequence View

Figure 6 illustrates the Sequence view of the GUI. This is useful to send timed sequences of register reads or writes to the device. It can be selected using the **SEQUENCE** button on the left side of the window or from the menu. A sequence is run by selecting its **Execute** button. The results of the sequence are shown in the Sequence Dialog section. Edit the sequence by selecting the file name under the sequence name in the window.

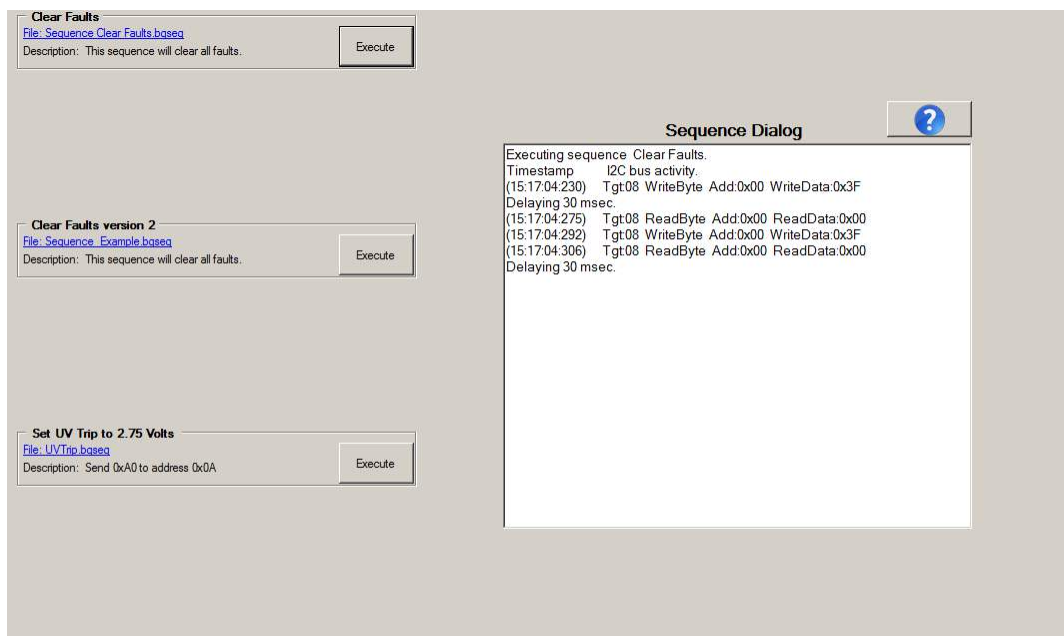


Figure 6. Sequence View

The installation comes with 3 sequence files. The *Clear Faults* files contain descriptions for requirements for a sequence file. The *Set UV Trip...* file shows an example of a simpler format. Sequence files are installed to: C:\Users\<account-name>\Documents\Texas Instruments\bq76940\sequence. Sequences are loaded from this location when the program starts. Create new sequences with a text editor and save them with the .bqseq extension. Up to 8 sequences can be stored, move other sequences to another directory or change the extension. The sequences *Sequence\_Example.bqseq*, *Sequence Clear Faults.bqseq*, and *UVTrip.bqseq* are required, do not move them from the directory.

Typical uses of a sequence might include:

- Reading and clearing faults, then enabling CHG and DSG outputs
- Setting ship mode
- Setting a balance pattern
- Any repetitive multiple-register write used in evaluation

While sequences can be executed during logging, the logging is paused while the sequence executes. Long sequences leave gaps in the log data.

#### 4.4.7 Typical Operation of Software

Typical operation of the software involves the following steps, much like described in [quick start](#) section:

- Connect the EVM and related equipment
- Power the EVM
- Boot the EVM
- Start the software
- Read and change registers, as desired

If the board is powered off during the evaluation process:

- Power the EVM
- Boot the EVM
- Select the **Read Device** button
- Read and change registers, as desired

If the interface board is connected to a system already in operation and the software has not been exited:

- Select the **Read Device** button
- Read and change registers, as desired

#### 4.4.8 Operation with Other Interfaces or Hosts

The bq76940/bq76930/bq76920 software does not support other interface boards or adapters other than the EV2300 and EV2400. The software does not operate in a multi-master environment. If operated with another host on the line, data collisions can occur. Also be aware that the EV2400 has internal pull-up resistors to 3.3 V, connecting to some shared busses could damage devices on that bus if the bus voltage differs.

## 5 Battery Management Studio Software

The Battery Management Studio software is used for evaluation of the bq78350 gauge. It is also identified as bqStudio for a compact name. If an earlier version of the bqStudio software is already installed from another product evaluation, it should still be installed again to load the configuration files and tools specific to the current version of the bq78350.

### 5.1 System Requirements

The bqStudio software requires a Windows 7, or later, operating system. Additional items are required and are described in the installation windows. The examples in this document are from Windows 7.



## 5.2 Installing bqStudio

Find the latest software version in the tool folder <http://www.ti.com/tool/bqstudio> or search from [power.ti.com](http://power.ti.com). Check periodically for software updates. Use the following steps to install the bqStudio software:

1. Copy the archive file to a directory of your choice, extract all files and run the *Battery Management Studio-xxxxxx-Setup.exe* application.
2. Follow the instructions and make selections as required on the setup windows selecting **Next**, as required. TI recommends installing the software in the default location.
3. On the last window, select **Finish** to complete the bqStudio software installation.

## 5.3 Interface Adapter SMB

The interface adapter SMB connector must be connected to the SMB connector of the EVM for use with the bqStudio software. Pull-ups for the SMBus are provided inside the adapter. The interface adapter should not be connected to the I2C connector of the EVM.

## 5.4 bqStudio Operation

bqStudio is used to communicate to the bq78350 gauge for evaluation. It includes a number of tools to aid in configuration of the bq78350 for evaluation. bqStudio will not communicate with the AFE and the I2C connector of the EVM should not be connected while using bqStudio.

Although the software runs without connection to an interface board or powered device, it is recommended to have both connected and the device on when starting the software. Follow the directions in the [Gauge Quick Start](#) section. [Figure 2](#) shows connections for operation with the bqStudio software.

Start the software from the desktop shortcut *Battery Management Studio* or the menu *Start → All Programs → Texas Instruments → Battery Management Studio*.

When started, the software looks for the communication interface and the device. If the device is found, the registers will display such as in [Figure 11](#). If the version is up to date the user may choose to proceed to other evaluation steps. If the device is not found, it opens a Target Selection Wizard. This is expected for a new EVM since the bq78350 is not programmed. Select the newest bq78350 version in the list and click the **Finish** button. This selection will be remembered until the software is re-started. If the device is not found, the user will be presented with a *Proceed?* window which must be acknowledged. If the software still can not find the device, a *Battery Management Studio* popup window appears indicating communication status. With a blank or un-powered part, this will indicate a timeout. Acknowledge the message to proceed.

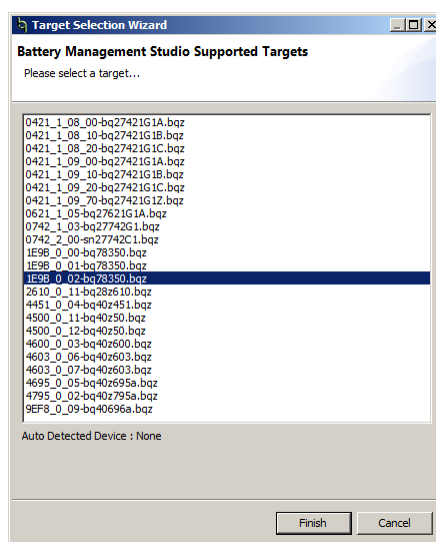


Figure 7. Target Selection Wizard



If the software was started without a communication interface adapter, a Battery Management Studio popup window will indicate a free adapter is not available. Acknowledge the message to proceed. Errors will appear in the left bottom border of the Battery Management Studio screen. Correct the problem with the adapter and restart the software.

When the software is first started in a new installation, a welcome view covers the main portion of the window. This offers an overview or tutorials of the software. After reviewing any desired content, close the welcome view. If it is desired to see this again, the welcome view can be opened from the menu selection Help | Welcome.

bqStudio contains a user guide for general operation of the software. Refer to the menu selection Help | Help Contents for information.

Once the welcome view is closed, the bqStudio window appears as shown in Figure 8. For a blank gauge the register area is blank since communication with the blank device on the EVM does not provide data.

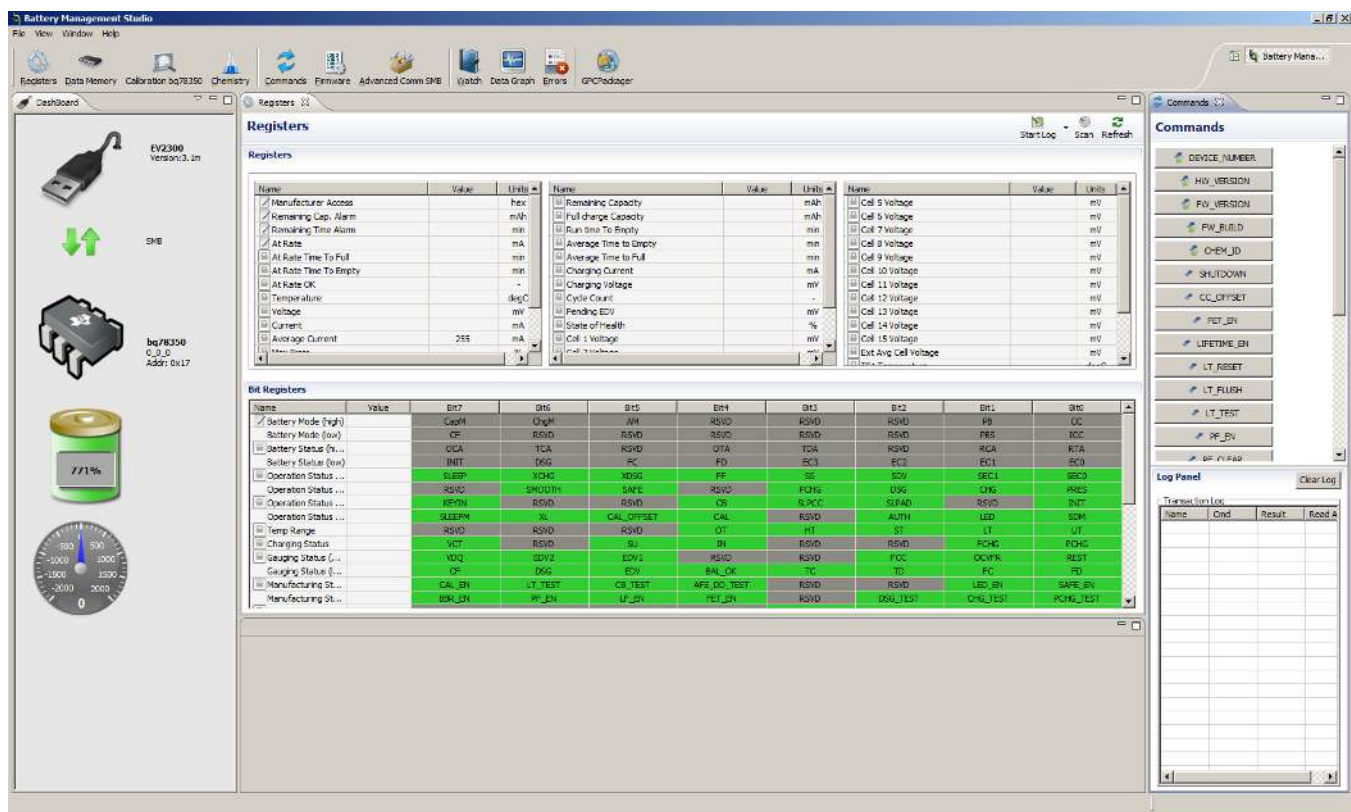
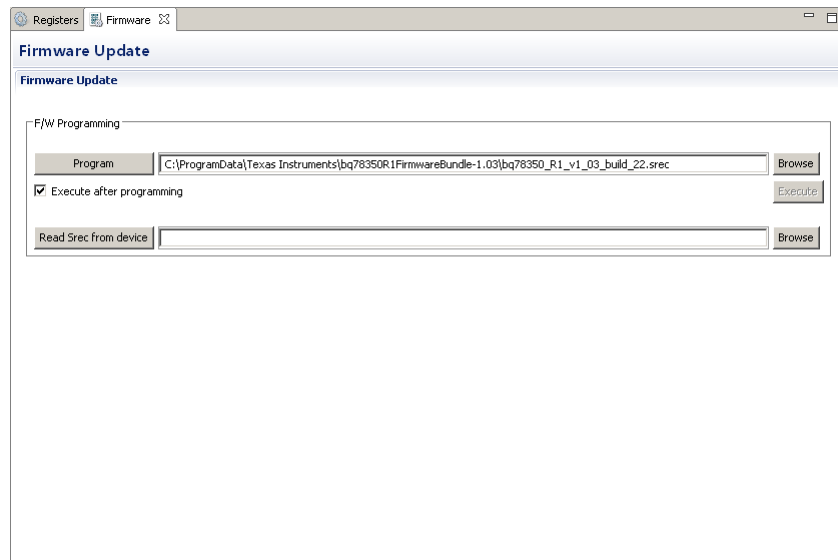


Figure 8. bqStudio Window with Blank Gauge

## 5.5 Firmware Programming

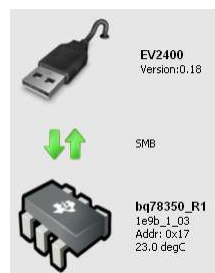
If the gauge is blank or an update is needed, firmware must be programmed to the bq78350 mounted to the EVM before operation. EV2400 versions before 0.18 should not be used to program firmware.

Firmware is programmed using the Firmware view shown in Figure 9. Click on the **Browse** button and select the file to be programmed. Using the *Execute after programming* feature is recommended. Click on the **Program** button to start programming. A *Progress Information* window will display during programming and will close when complete. Programming typically takes about 45 s.



**Figure 9. Firmware View**

After programming, restart the bqStudio software so that it will autodetect the new firmware and load the proper configuration for the tools. After start with autodetection, the dashboard display should show the version read from the device rather than a version input from the Target Selection Wizard. An example of the dashboard display is shown in [Figure 10](#). If the version read by the autodetect is the same as the version previously selected in the Target Selection Wizard, no change may be apparent, but restarting to allow tool configuration is still recommended.



**Figure 10. Dashboard Adapter and Device Version Display**

The default configuration of the firmware is for 3 cells. An example of the register view after restart is shown in [Figure 11](#). Note that 3 cell voltages are present. The device must be configured for operation with other cell counts, this includes basic operation of the EVM.

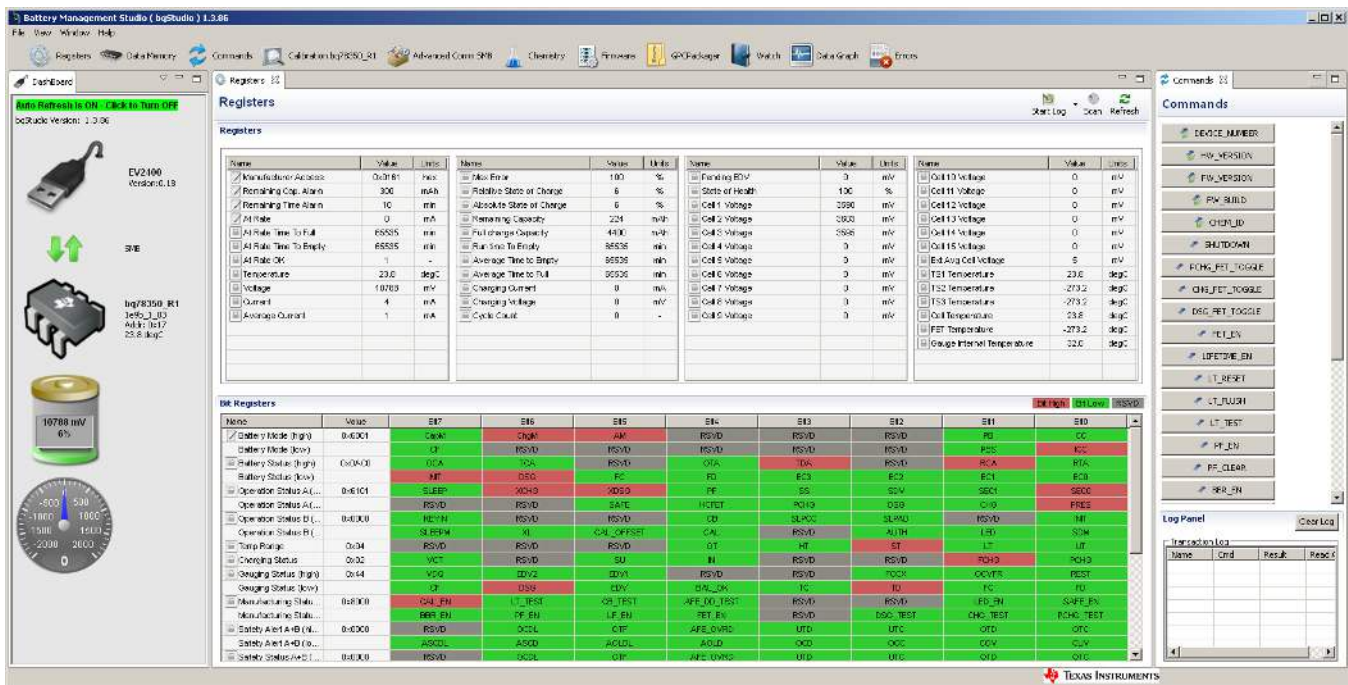


Figure 11. Register View After Restart

## 5.6 Data Memory Configuration

Most of the configuration of the bq78350 is accomplished through setting values in data memory. The data memory is accessed using the Data Memory view. Configuration values are organized in functional groups selected by buttons on the left side of the view. Data values may be changed by selecting and entering a value. Parameter registers which are bit fields may be changed by selecting the bit in the pop up when the register or its value is selected. Figure 12 shows the bit field for the AFE Cell Map which is one of the most basic settings that must typically be changed with the EVM. The AFE Cell Map is a physical location of the cells. Refer to the bq78350-R1 TRM (SLUUBD3) for information on this and other configuration parameters. Data Memory must be written after change. See other technical documents in the bq78350 product folder [www.ti.com/product/bq78350-R1](http://www.ti.com/product/bq78350-R1).

The *Export* tool in the Data Memory view allows saving the configuration data to a comma-separated-value file format which can be accessed by a spreadsheet program. Reading data before export will save the data from the part rather than values which may be only in the view. The *Import* tool allows loading such a file into the view so that it can be written to the device.

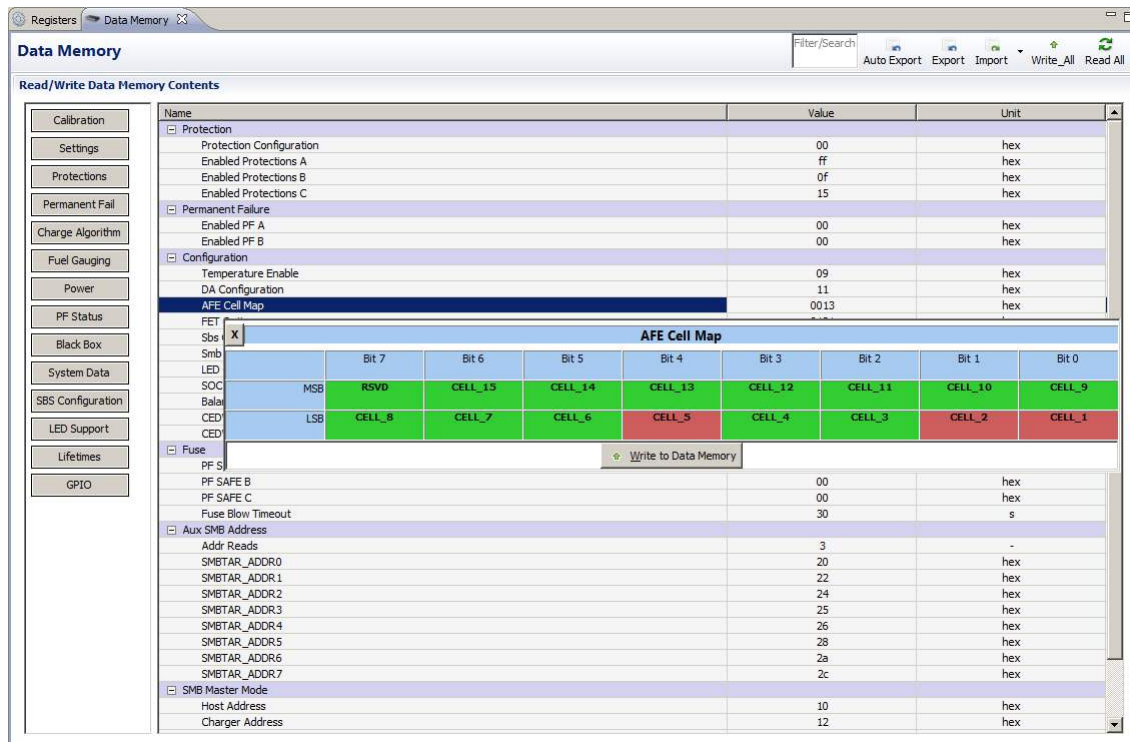


Figure 12. Data Memory Bit Field change

## 5.7 Chemistry View

The bq78350 uses the chemistry of the cells to estimate the state of charge of the pack after a reset. Chemistry information is not loaded to the device as a Data Memory parameter but by using the Chemistry view. Loading the chemistry is not required for simple operation of the EVM but will be desired for setup of the board or a part for operation with cells, particularly if the chemistry differs from the default. The chemistry view is shown in Figure 13.

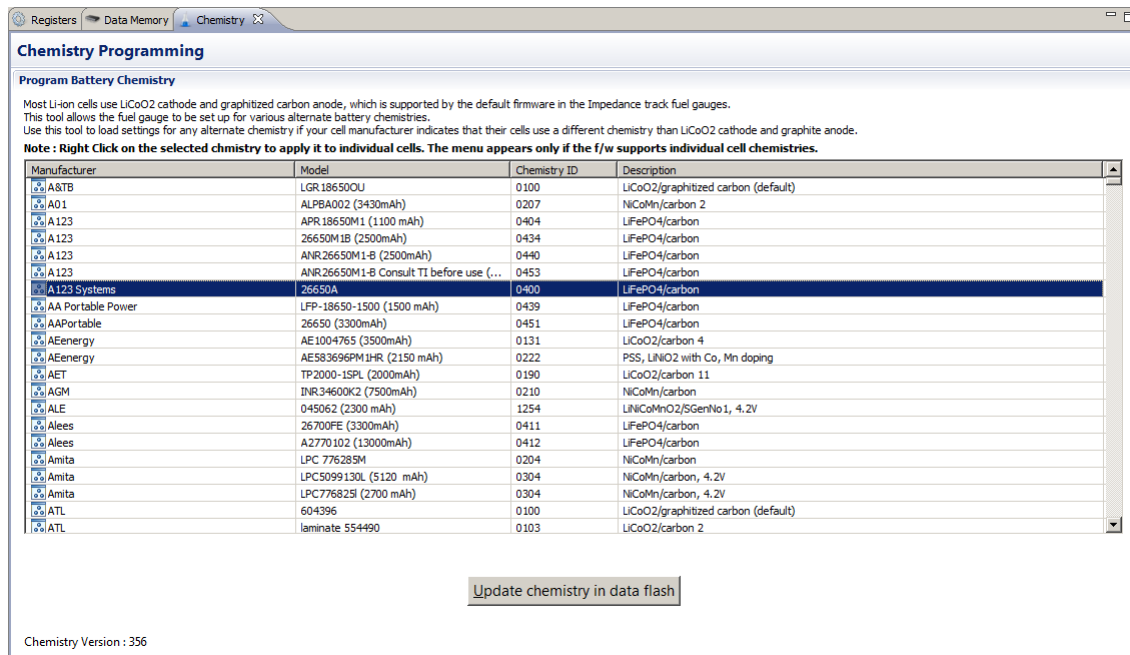


Figure 13. Chemistry View

## 5.8 Calibration

The EVM and all new boards should be calibrated before operation. The calibration view is shown in Figure 14. Temperature is typically calibrated first. Current Offset should be calibrated with no current flow and should be calibrated before Current Gain. The EVM uses a 1-mΩ sense resistor and calibration at low current will result in some granularity from the current resolution. This may result in an apparent error at higher currents. Calibration at higher currents will reduce this effect and should be done where it is important.

By default, the bq78350 uses the average cell voltage for gauging. This voltage must be calibrated. Measure the battery voltage, calculate the average cell value and enter the value in the box. Clicking the Calibrate Voltage button runs the calibration. Values left blank or entered as '0' are not calibrated. When successful, a green check appears next to the button as shown in Figure 15. If there is an error, a red X appears instead with a message. The bq769x0 contains factory voltage calibration data for cell voltage values. The bq78350 uses this data to determine the individual cell voltage. When it is desired to calibrate each cell's offset rather than relying on the average stored in the bq769x0, individual cell voltages can be measured and calibrated. Cells can be calibrated in groups or individually by entering or clearing the desired values.

Basic steps for calibration of the EVM is described in the quick start section. Since the EVM uses 1% values for the cell simulator resistors, measuring each cell voltage value is recommended rather than using a common value if individual cell voltage calibration is desired.

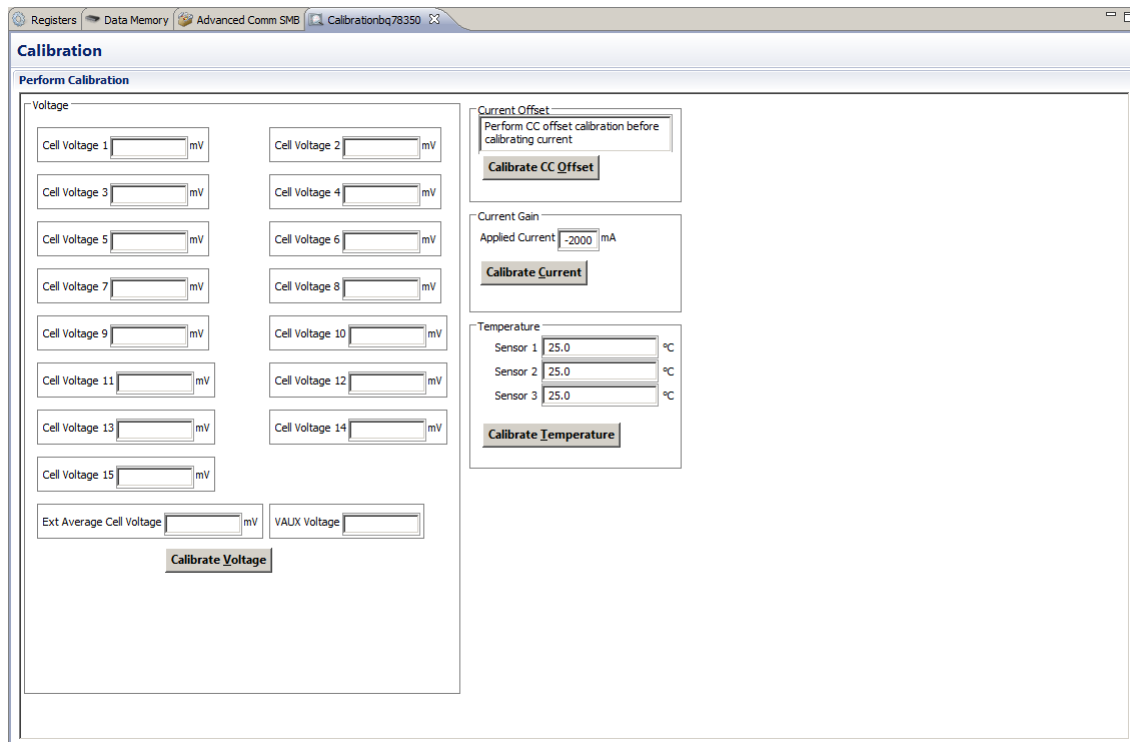


Figure 14. Calibration View

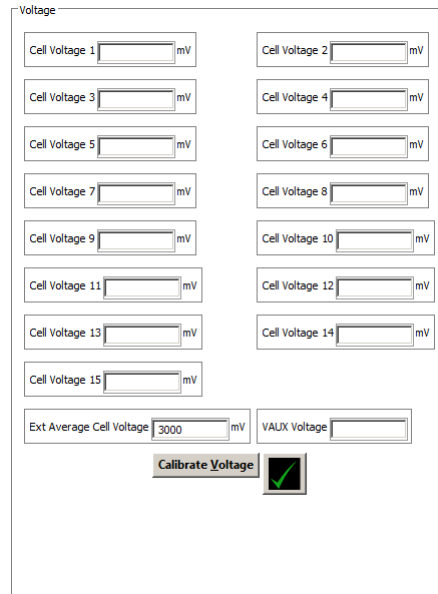


Figure 15. Example Voltage Calibration Successful



## 5.9 Device Control

Features are controlled by commands as described in the bq78350-R1 TRM (SLUUBD3). One of the most basic for operation as described in the quick start section is the FET enable which is toggled by the *ManufacturerAccess() 0x0022* command. The Manufacturer Access commands may be sent using the *Advanced Comm SMB* view and the **Write Word** button. An example is shown in Figure 16. A number of the common commands are also available in buttons in the Commands view. Using the commands the gauge may be controlled for test or setup for further evaluation. Refer to the bq78350-R1 TRM for additional information on the commands.

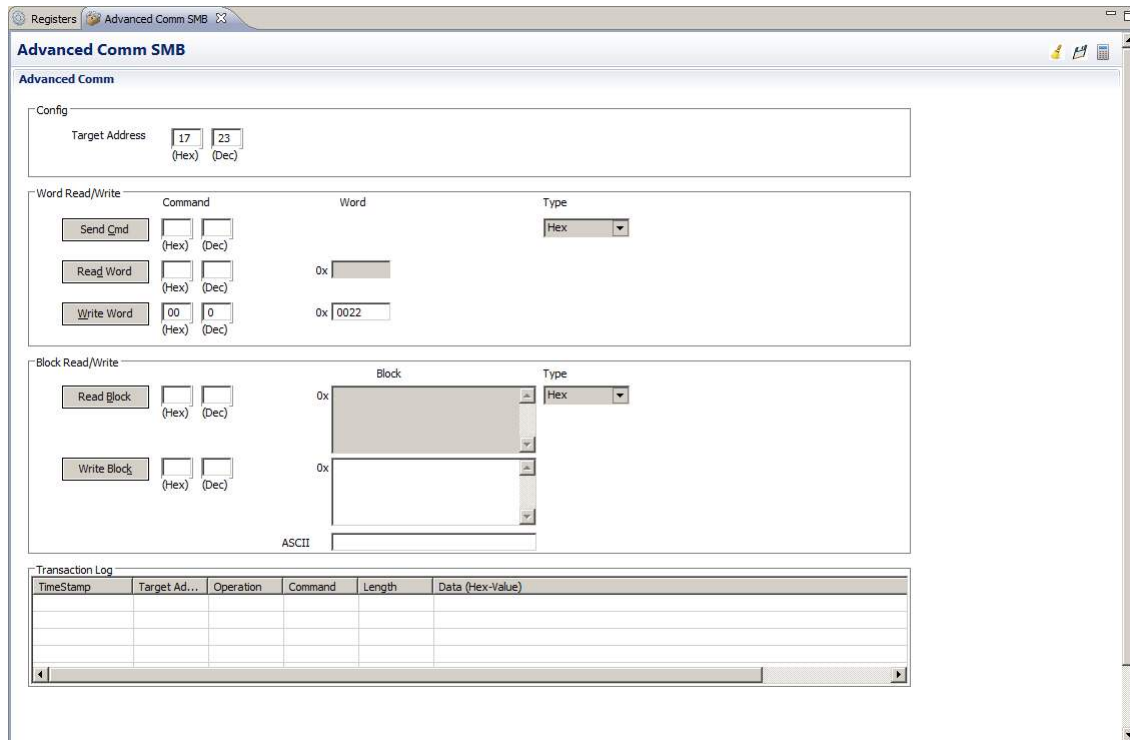


Figure 16. Advanced Comm SMB View

## 6 bq76920 Circuit Module Use

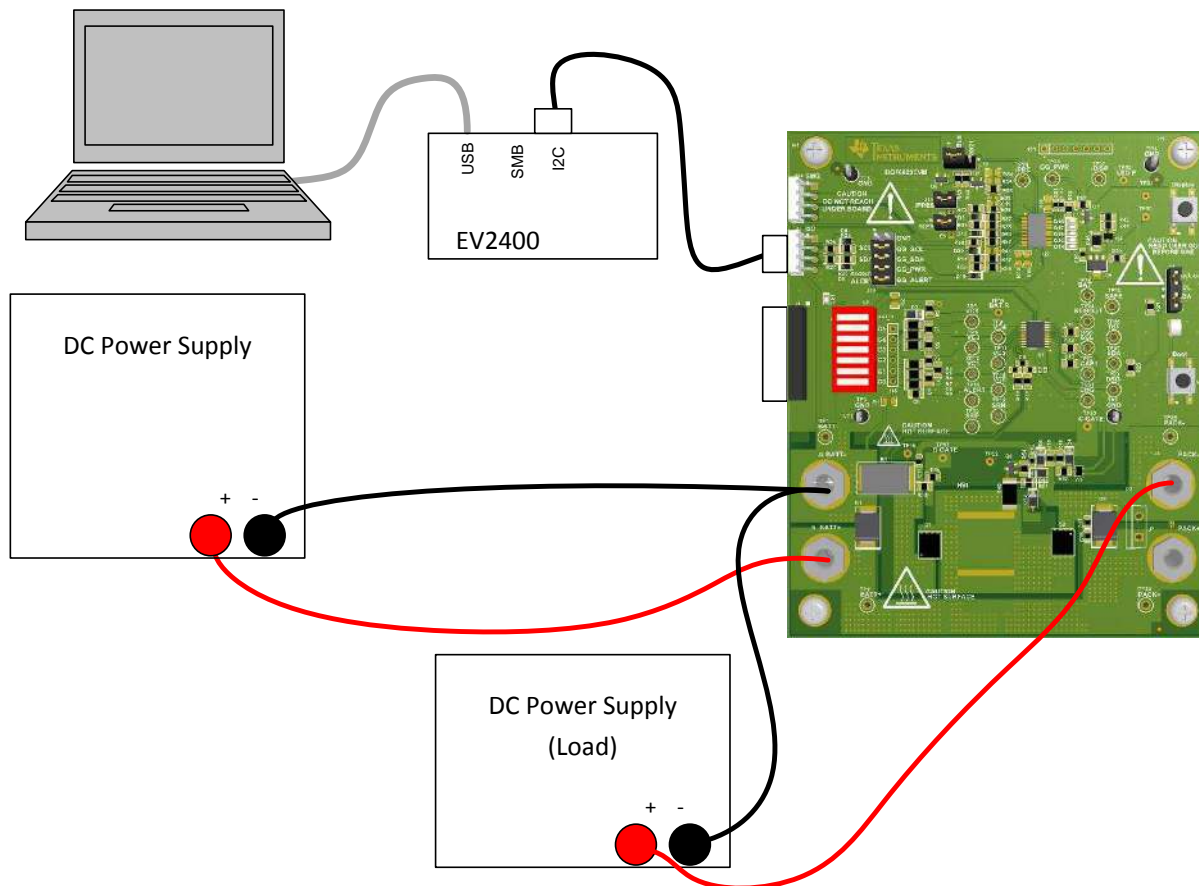
The bq76920 circuit module contains the bq76920 IC and related circuitry to demonstrate the features of the IC. Surface mount FETs are provided for the high current path. A thermistor provides temperature sensing on the board. Other components provide support for the IC and connections to the board. Basic operation is described in the [quick start guide](#). For details of the circuit, refer to the [physical construction](#) section.

### 6.1 Cell Simulator

The EVM includes a resistive cell simulator made up of 200-Ω series resistors. The top section of the S3 switch connects the BATT+ node to the top of the resistor string. The bottom of the resistor string is connected to BATT-. The individual cell taps are connected to the cell monitor signals by other sections of the dip switch. When operating with a power supply all switch sections should be closed. When operating with cells, all the dip switch sections should be open to prevent loading the cells and discharging the battery. The cell simulator resistors are located on the bottom of the board and may become warm during operation. The orange LED near the dip switch indicates the cell simulator has power either from the BATT+ or cell inputs.

## 6.2 Evaluating with Simulated Current

The [quick start guide](#) describes connection for basic operation. Providing more than recognizable current in that configuration can require a power supply with a significant power rating. Applying a charge current can damage some power supplies. [Figure 17](#) shows a method to force current through the control path without a high wattage power supply or special equipment. The *load* power supply should be set at a low voltage in a constant current mode. Polarity can be reversed on the *load* supply to simulate a charge current. The battery simulation supply should never be reversed. The diagram shows communication connection for AFE evaluation, the technique will also work for gauge evaluation with appropriate communication connection.



**Figure 17. Simulating Current Setup**

The power supply technique can also be used with the bq78350 to provide current for calibration or to show current flow. However the simulated current will not provide good gauging evaluation.

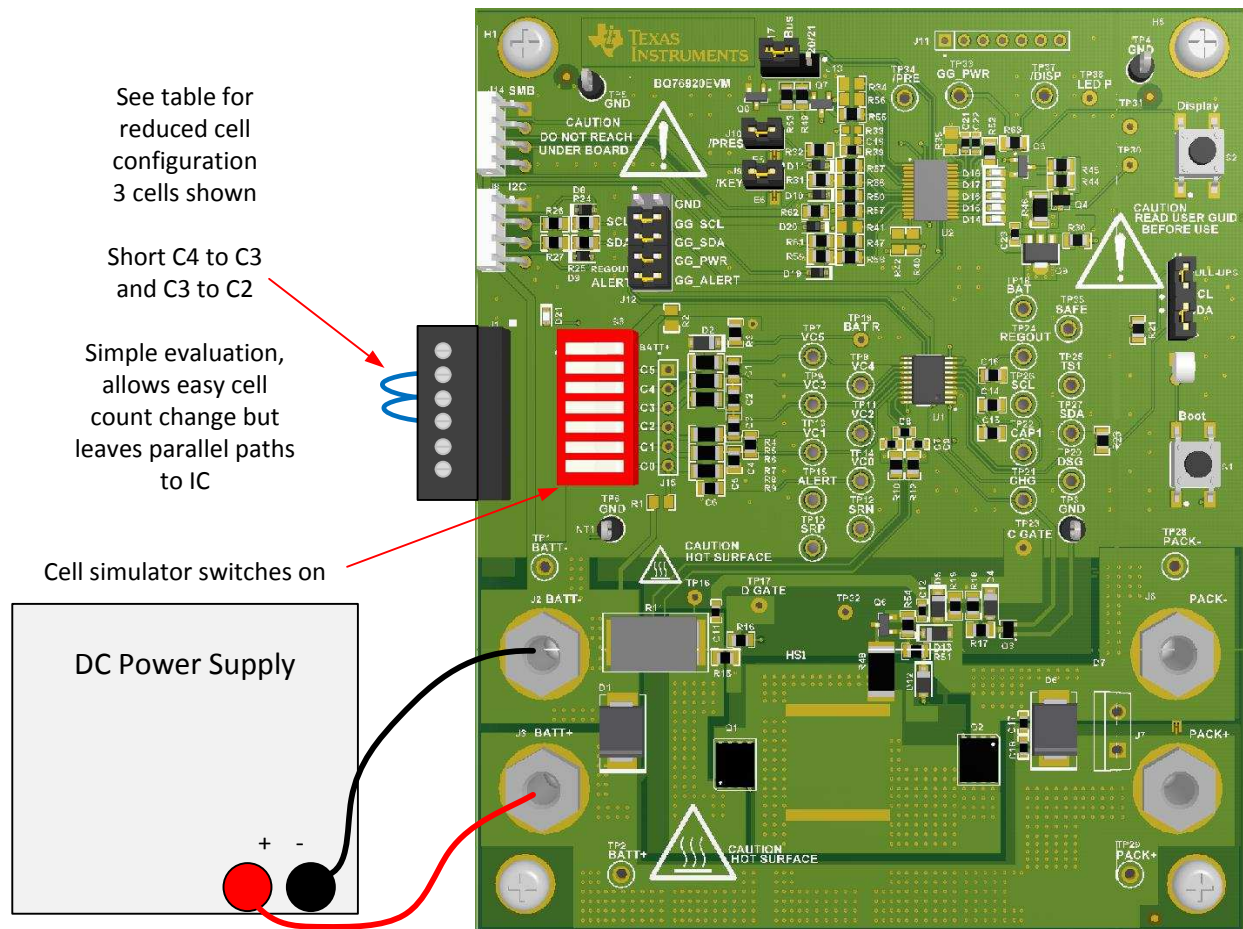
## 6.3 Reducing the Cell Count

Cell count can be reduced for basic evaluation by shorting unused cells at the input terminal block. Follow the recommendations in the datasheet for which cells to short. This works for both operation with the cell simulator and cells, but can have some side effects in transient tests because it parallels the shorted resistors to the cell IC where the capacitor provides a signal path to the used input. See [Figure 18](#) for an example of simple reduced cell configuration for 3 cells. For the best evaluation with reduced cells in a transient environment, short the VCx pins at the capacitor or VCx test points and remove the unused input resistor. When using the cell simulator, shorting the unused cell resistor is still required to eliminate the simulated cell voltage. Shorting the cell inputs at the terminal block screw terminals is suggested since it should be apparent if the board is re-used for a different cell count. [Table 3](#) shows configuration recommendations for reduced cell count.

**Table 3. Reducing Cell Count**

Unused Cell (Numbered from Bottom Cell 1)	Short Cell Terminals	Input Resistor to Remove	Short AFE Inputs
Cell 4	C4 to C3	R5	VC4 to VC3
Cell 3	C3 to C2	R6	VC3 to VC2

When evaluating the gauge, it is recommended to reduce the cell count of the gauge configuration before connecting the cells. If the gauge does not see voltage it will shut down the AFE and require re-boot of the board. To avoid shutdown simulate a charge current until the cell count configuration can be corrected.



**Figure 18. Example 3 Cell Simple Evaluation Configuration**

### 6.4 Connecting Cells

The EVM is constructed to sense the cell voltages at the cells. Separate wires are required from the bottom of the battery stack to the C0 connection at the terminal block for sensing voltage and from the bottom of the battery stack to the BATT- terminal to carry the load current. The AFE IC VSS is referenced to the BATT- connection. Similarly, separate wires are required from the top of the battery stack to the top cell input of the terminal block and from the top of the battery stack to the BATT+ terminal to carry the load current. The top cell sense connection also powers the AFE IC. To move the sense connections from the cells to the board, populate R1 and R2. The bottom cell simulator switch can be closed to connect C0 to BATT-.

The cell simulator provides resistors between the cell inputs. These resistors can help divide the voltage as cells are connected. If desired, the cell simulator switches can be closed during cell connection and opened after cell connection. The switches must be opened after connection of cells or the cells will be discharged by the constant drain of the cell simulator. If the orange LED is on when cells are connected, open the dip switch sections to remove the load.

Cell connection is generally considered safest from the bottom up. This minimizes the step size of the voltage applied to the board. Recommended connection sequence for the EVM when connecting wires individually is bottom up:

1. Connect BATT–
2. Connect cells bottom up; C0, C1, C2 ...
3. Connect BATT+
4. Open the cell simulator switches, if needed

When the top and bottom cells are connected on the board:

1. Connect BATT– (includes C0)
2. Connect cells bottom up; C1, C2, C3...
3. Connect BATT+ (includes top cell)
4. Open the cell simulator switches, if needed

When cells are mated with a connector:

1. Connect BATT– or the node which connects VSS of the AFE, if separate
2. Mate the connector
3. Connect the BATT+. if separate
4. Open the cell simulator switches, if needed

[Figure 19](#) shows an example connecting cells with an EVM configuration reduced to 4 cells.



See table for reduced cell configuration  
4 cells shown

Short VC4 to VC3  
Remove R5  
Short C4 to C3  
(optional with cells and R5 removed)  
With cells, open switches to avoid draining cells  
If connecting cells confirm operation before connecting. Use all appropriate fusing, insulation, isolation and shielding necessary for safe operation. Board has exposed contacts. Do not leave unattended

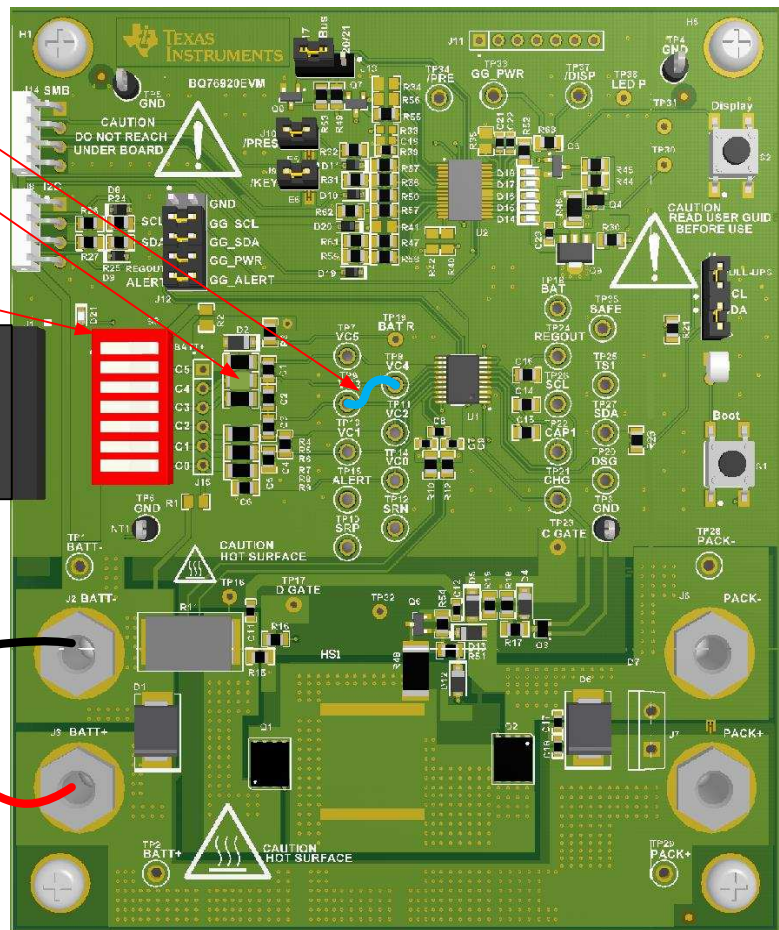
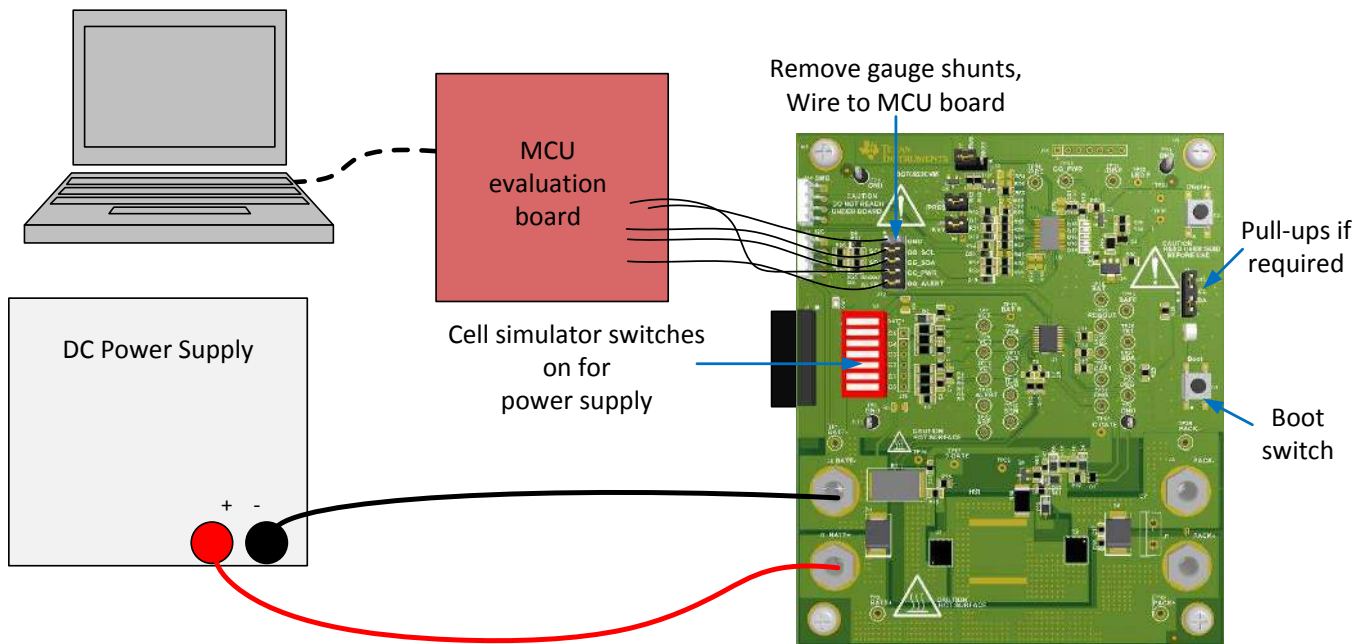


Figure 19. Example Connection With 4 Cells

When using external balancing with P-channel MOSFETs, such as on the bq76930 and bq76940 EVMs, the inrush current for a cell can momentarily turn on the balance FET causing the next cell input below to rise. This can continue down the stack. Connecting C0 on the board by closing the C0 dip switch during cell connection can reduce stress on the VC0 input of the AFE. Open the switch after cell connection for sensing at the cell.

### 6.5 Connecting to a Host

After initial operation of the AFE with the bq76940/bq76930/bq76920 software, it may be desirable to operate the board connected to a microcontroller board. J12 could be used to connect to the microcontroller board. No voltages should be applied to the gauge terminals. Alternately, the microcontroller is connected to the signal test points or J8 and the ALERT test point. The bq76920 installed on the EVM is a 2.5V output device. Be sure the MCU will operate at 2.5V or provide separate power for the MCU and shift the level of the interface signals if needed. Pull-ups may not be required on the EVM if they are provided on the MCU. Although it was developed for 10 cells, [TIDA-00449](#) implements an example host for the bq76930 family member of the AFE using the MSP430. The code is available for the TI Design and may be a helpful reference in development of a host system.



**Figure 20. Host Connection Concept**

## 6.6 Gauge Circuits

The EVM contains a gauge circuit consisting of U2 and an SMBus interface connector, J14. This bq78350 IC and circuit can be used to control the AFE if configured and connected at the J12 header. By default the AFE on the EVM is a 2.5-V output device, only connect the gauge circuitry to a 2.5-V output AFE IC.

Shunts may be placed on the /KEY and /PRES headers to simulate control of these signals. An alternate SMBus address may be selected using the SMBus header. Refer to the bq78350-R1 TRM for details and configuration selections for these device features.

Basic operation of the gauge is shown in [Section 2.2.2](#), for more details on operation see the bq78350-R1 TRM.

## 6.7 Unused Components

The EVM contains a number of component patterns which may be useful for evaluation.

Test points are not typically populated. The patterns may be used as probe points or wires or test points could be soldered to provide probing, if desired.

Normally the power filter R14 and C13 keeps the supply voltage for the AFE in a safe operating range. For situations with large transients, D3 provides a clamp for the supply voltage to the AFE, if needed. The pattern is large and it is easy to fit other component sizes. Be aware that if the system transients are large enough that a clamp is needed at D3, the cell inputs should also be inspected for excessive voltages and an improved filter or clamp be added there, if needed.

The ALERT line switches high and low in normal operation as status bits are asserted and cleared. A large load is not desired since it consumes power. If it is useful to slow the transition, the pattern C10 is available. C10 should not be large in order to avoid current and slowing the edge to where the bq76920 would see the ALERT high as an input and set the OVRD\_ALERT condition.

When the charge FET turns on with a large charger voltage present, a large voltage could be impressed on the gate of the charge FET. With the voltages typically used on the bq76920EVM, this should not be high enough to damage the charge FET. If special circumstances require, the D5 pattern is available for a clamp diode.



D6 is a flyback diode to prevent PACK- from rising significantly above PACK+. The D7 pattern provides a place to mount a higher current diode or other transient suppression component.

HS1 is a position to mount a suitable heatsink, if needed. Other heatsink options may be available in the evaluation environment.

R34 and R35 provide options to pull down unused signals. Connect as recommended in the datasheet for the bq78350 used.

J11, C19, R28, R29, R33, R40, R41, R42, and R56 provide component patterns to optionally bring signals to a convenient location for evaluating the behavior of the bq78350 with a high side switch configuration.

## 7 bq76920EVM Circuit Module Physical Construction

This section contains the PCB layout, bill of materials, and schematic of the bq76920EVM circuit module. The bq76920EVM consists of one circuit module assembly, PWR523.

### 7.1 Board Layout

The bq76920EVM circuit module is a 4.0-inch × 4.805-inch 4-layer circuit card assembly. It is designed for easy assembly with cell connections on the left side to a terminal block and high current terminals through banana jacks. Control connections are on the left top. Pack terminals are on the right side using banana jacks. Wide trace areas are used reducing voltage drops on the high current paths. The EVM layout and construction allows easy understanding of the connections and access to the test points for evaluation, but the connector area and programming features result in a large board.

The board layout includes spark gaps with the reference designator prefix "E". These spark gaps are fabricated with the board and no component is installed. The design includes spark gap E1 across the power FETs. Contamination on the board or shorting of the pattern could bypass the power FETs and E1 is not recommended.

See additional information in the configuration and operation sections of this document. [Figure 21](#) to [Figure 28](#) show the board layout.

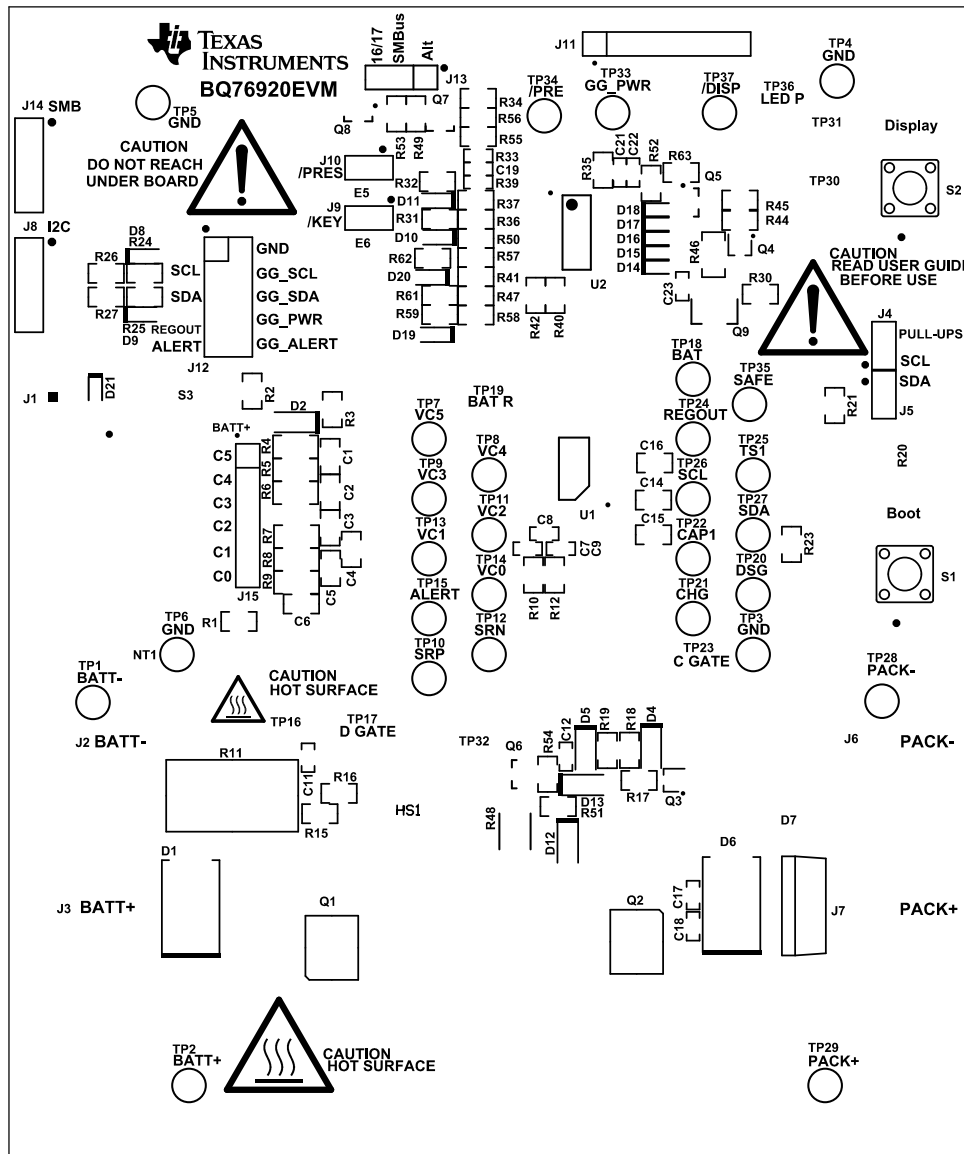


Figure 21. Top Silk Screen

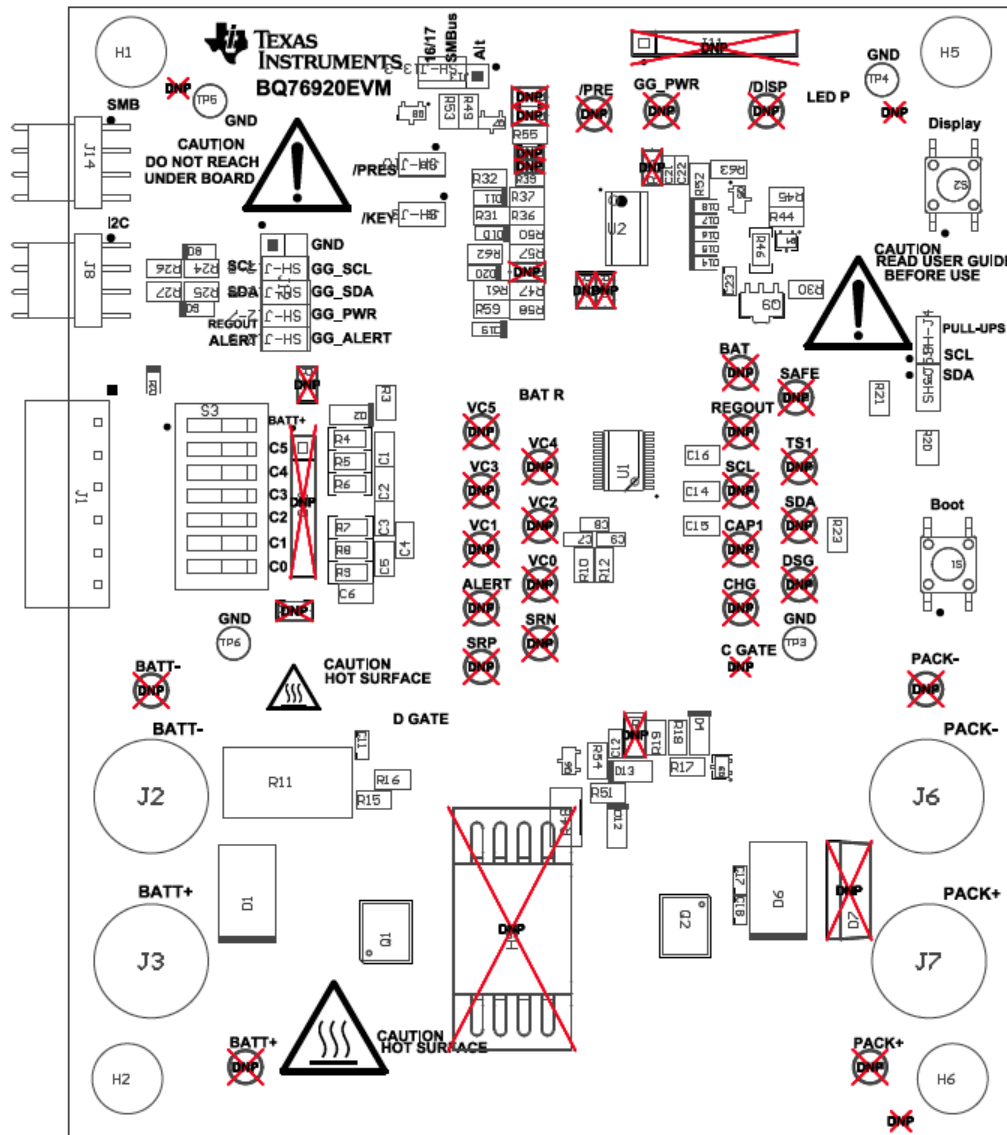


Figure 22. Top Assembly

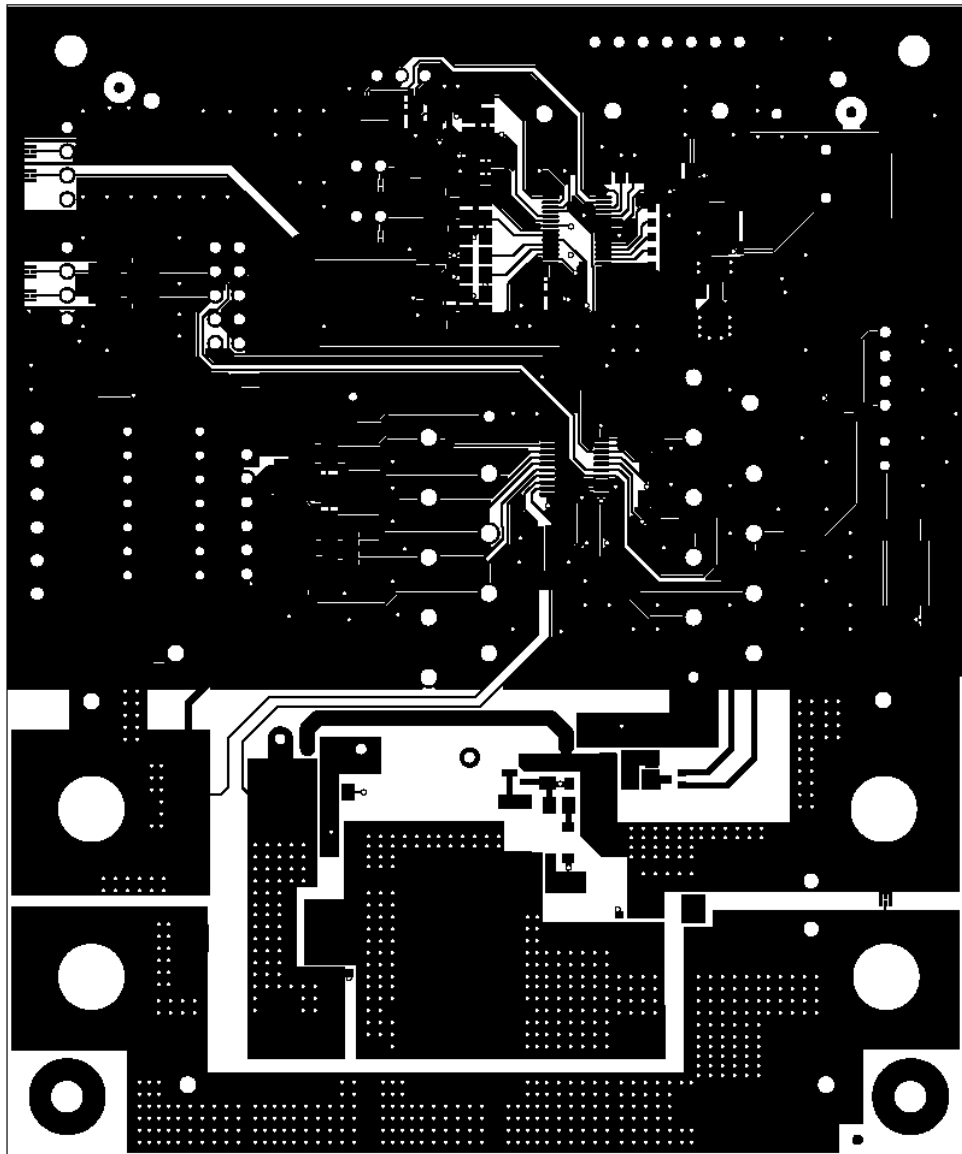


Figure 23. Top Layer

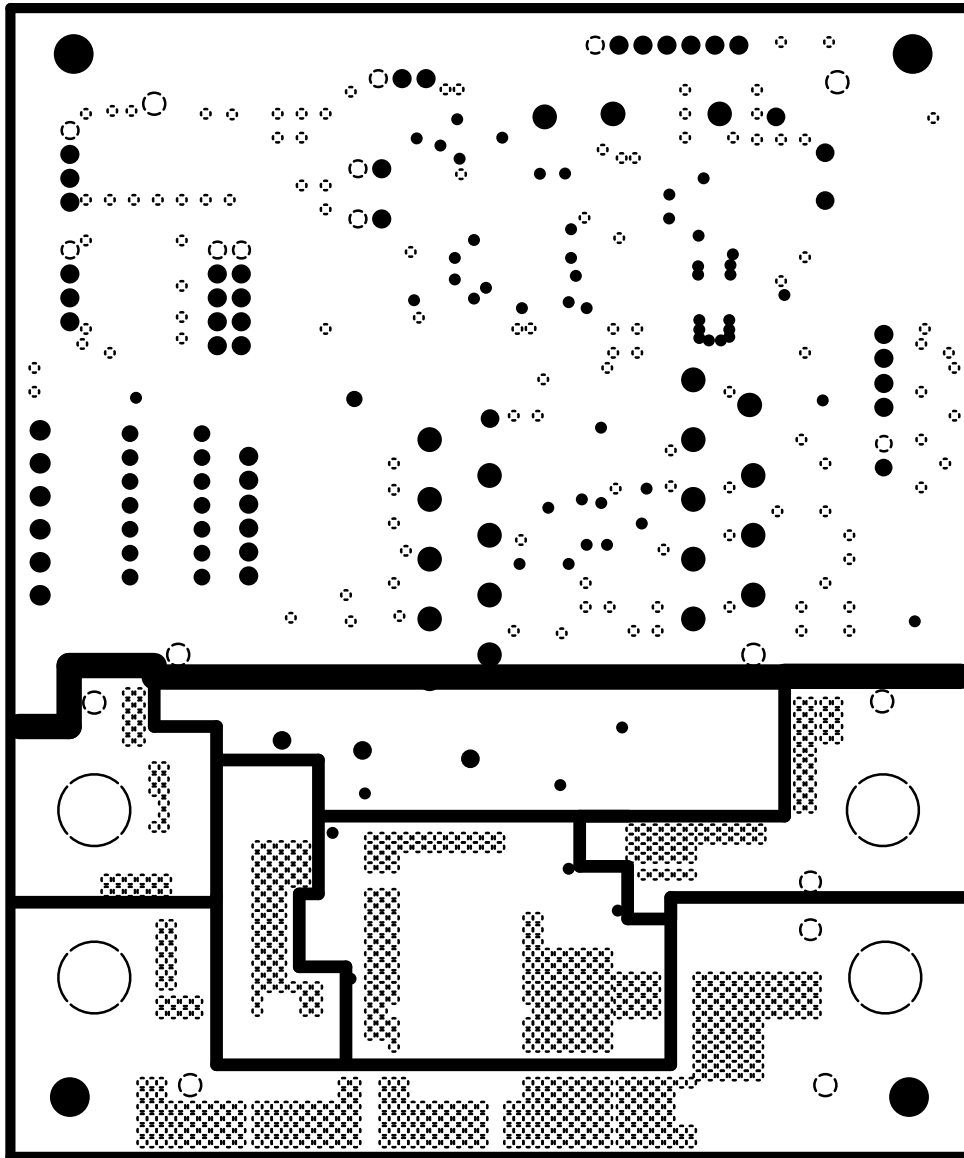


Figure 24. Layer 2



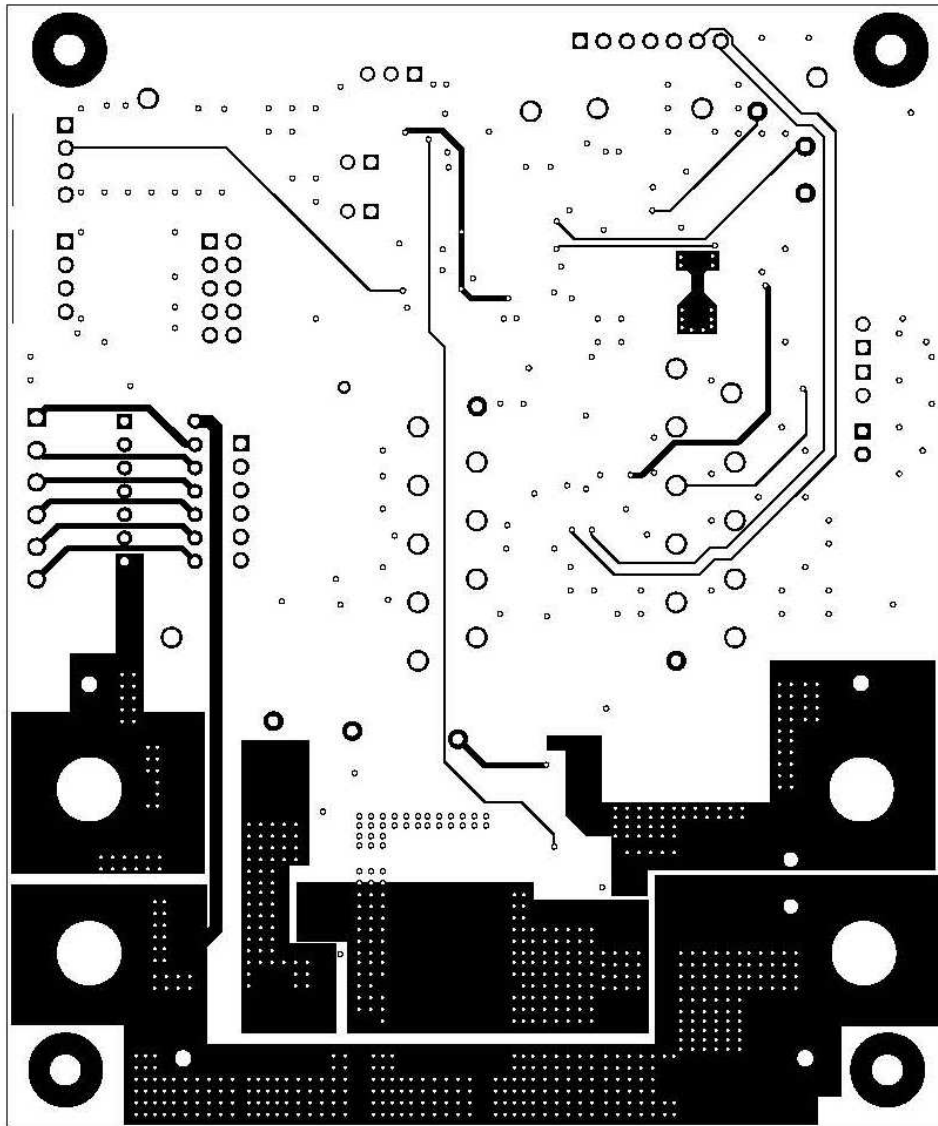


Figure 25. Layer 3

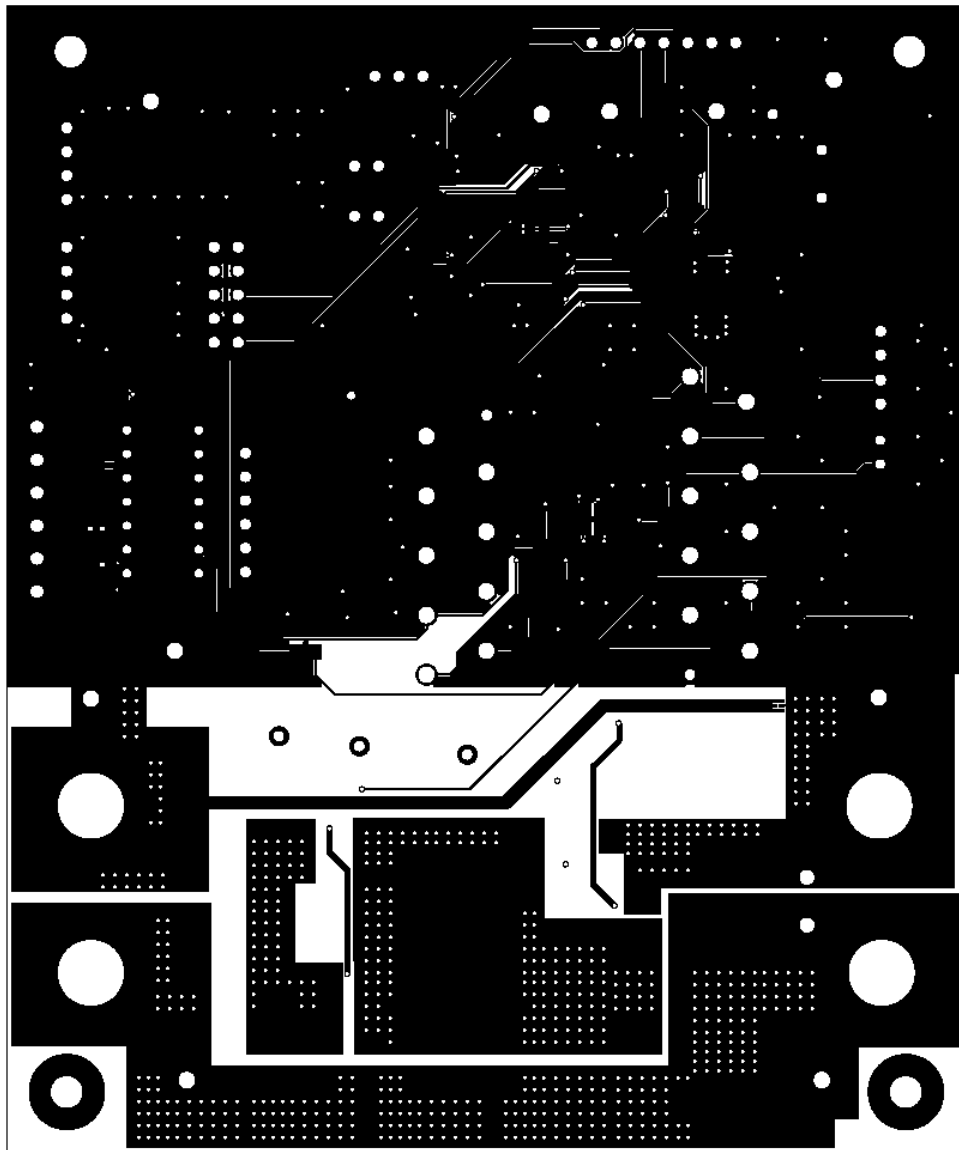
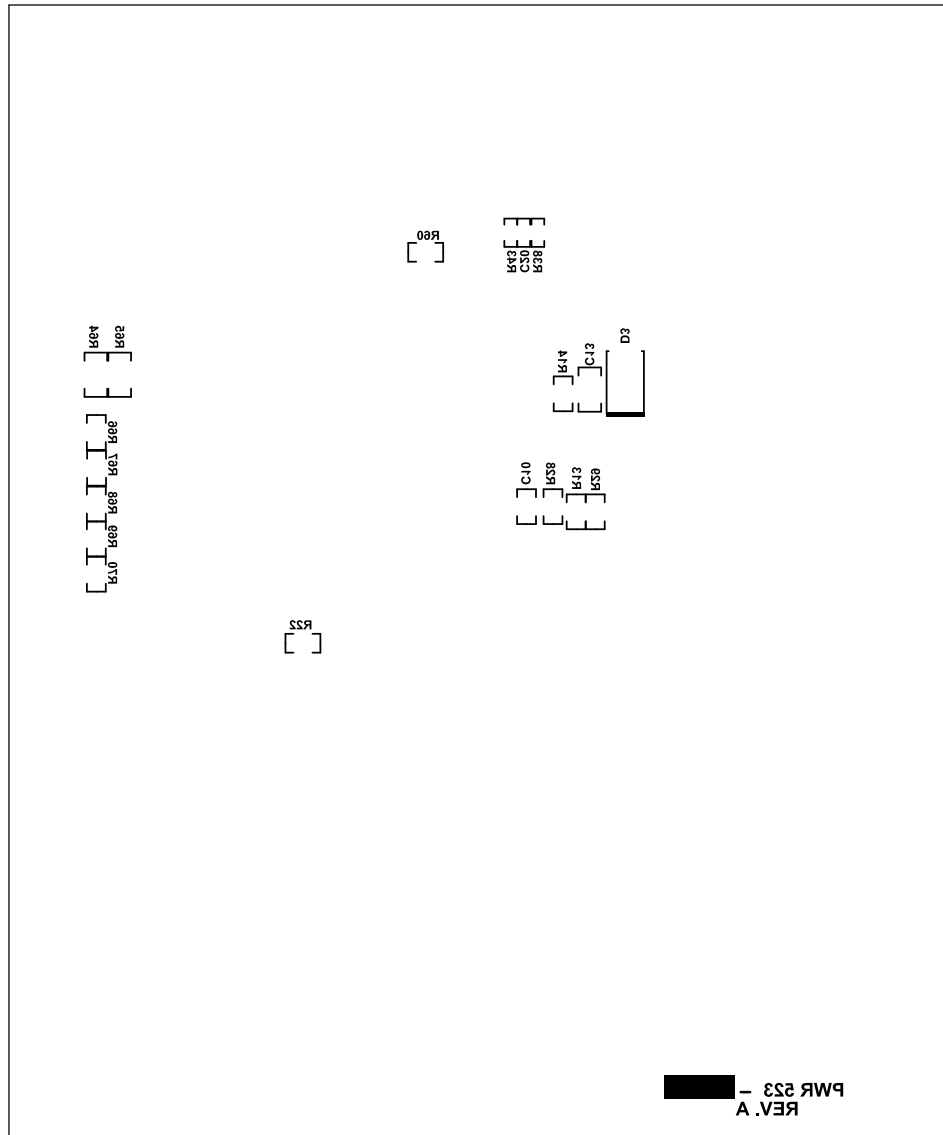
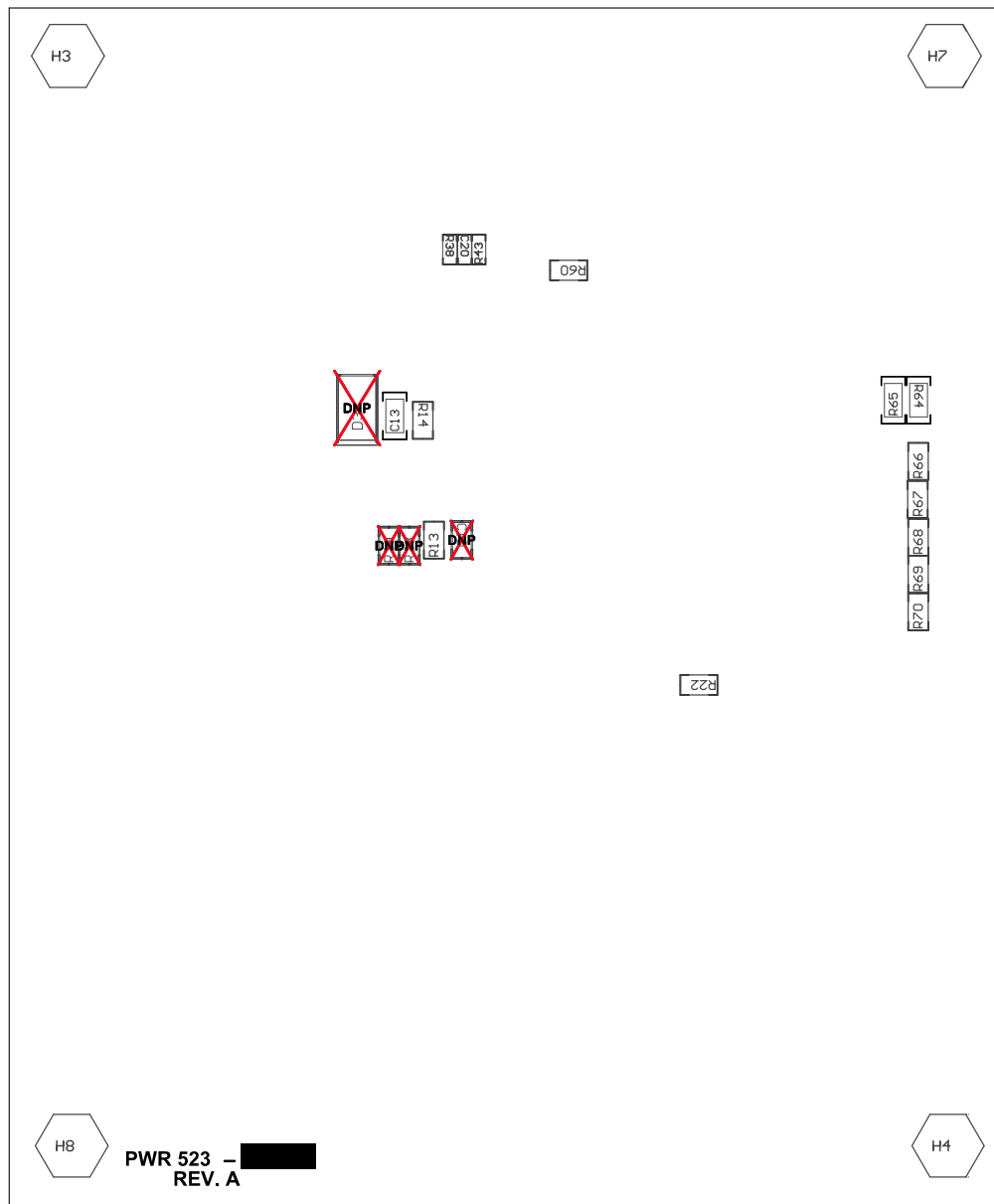


Figure 26. Bottom Layer



**Figure 27. Bottom Silk Screen**



**Figure 28. Bottom Assembly**

## 7.2 Bill of Materials

The bill of materials for the circuit module is shown in [Table 4](#). Substitute parts may be used in the manufacturing of the assembly.

**Table 4. bq76920 Circuit Module Bill of Materials**

Designator	Qty	Value	Description	Package Reference	Part Number	MFG	Alternate Part Number	Alternate MFG
PCB1	1		Printed Circuit Board		PWR523	Any	-	-
C1, C2, C3, C4, C5, C6, C14	7	1uF	CAP, CERM, 1uF, 16V, +/-10%, X7R, 0805	0805	GRM21BR71C105KA01L	MuRata		
C7, C8, C9, C11, C12, C17, C18, C21, C22, C23	10	0.1uF	CAP, CERM, 0.1uF, 50V, +/-10%, X7R, 0603	0603	GCM188R71H104KA57B	MuRata		
C13	1	2.2uF	CAP, CERM, 2.2uF, 50V, +/-10%, X5R, 1206	1206	GRM31CR61H225KA88L	MuRata		
C15	1	4700pF	CAP, CERM, 4700pF, 50V, +/-10%, X7R, 0805	0805	08055C472KAT2A	AVX		
C16	1	4.7uF	CAP, CERM, 4.7uF, 10V, +/-10%, X7R, 0805	0805	GRM21BR71A475KA73L	MuRata		
C20	1	3300pF	CAP, CERM, 3300pF, 25V, +/-10%, X7R, 0603	0603	GRM188R71E332KA01D	MuRata		
D1	1	28V	Diode, TVS, Uni, 28V, 1500W, SMC	SMC	SMCJ28A	Fairchild Semiconductor		
D2, D4, D12	3	1.25V	Diode, Ultrafast, 100V, 0.15A, SOD-123	SOD-123	1N4148W-7-F	Diodes Inc.		
D6	1	600V	Diode, Ultrafast, 600V, 3A, SMC	SMC	MURS360T3G	ON Semiconductor		
D8, D9, D10, D11, D19, D20	6	5.6V	Diode, Zener, 5.6V, 200mW, SOD-323	SOD-323	MMSZ5232BS-7-F	Diodes Inc.		
D13	1	16V	Diode, Zener, 16V, 500mW, SOD-123	SOD-123	MMSZ5246B-7-F	Diodes Inc.		
D14, D15, D16, D17, D18	5	Green	LED, Green, SMD	1.6x0.8x0.8mm	LTST-C190GKT	Lite-On		
D21	1	Orange	LED, Orange, SMD	1.6x0.8x0.8mm	LTST-C190KFKT	Lite-On		
H1, H2, H5, H6	4		Machine Screw, Round, #4-40 x 1/4, Nylon, Philips panhead	Screw	NY PMS 440 0025 PH	B&F Fastener Supply	-	-
H3, H4, H7, H8	4		Standoff, Hex, 0.5"L #4-40 Nylon	Standoff	1902C	Keystone	-	-
J1	1		Receptacle, 3.5mm 6x1, R/A, TH	Header, 6x1 R/A	395021006	Molex		
J2, J3, J6, J7	4		Standard Banana Jack, Uninsulated, 15A	Banana Jack	108-0740-001	Emerson Network Power		
J4, J5, J9, J10	4		Header, 100mil, 2x1, Tin plated, TH	Header, 2 PIN, 100mil, Tin	PEC02SAAN	Sullins Connector Solutions		
J8, J14	2		Header, 100mil, 4x1, R/A, TH	4x1 R/A Header	22-05-3041	Molex		
J12	1		Header, 100mil, 5x2, Tin plated, TH	Header, 5x2, 100mil, Tin	PEC05DAAN	Sullins Connector Solutions		
J13	1		Header, 100mil, 3x1, Tin plated, TH	Header, 3 PIN, 100mil, Tin	PEC03SAAN	Sullins Connector Solutions		
P1	1		CONN TERM BLOCK 3.5MM 6POS R/A	Term Block Plug	39500-0006	Molex	-	-
Q1, Q2	2	30V	MOSFET, N-CH, 30V, 100A, SON 5x6mm	SON 5x6mm	CSD17501Q5A	Texas Instruments		None
Q3, Q4	2	-50V	MOSFET, P-CH, -50V, -0.13A, SOT-323	SOT-323	BSS84W-7-F	Diodes Inc.		None
Q5, Q6, Q8	3	50V	MOSFET, N-CH, 50V, 0.22A, SOT-23	SOT-23	BSS138	Fairchild Semiconductor		None
Q7	1	0.25V	Transistor, PNP, 40V, 0.2A, SOT-23	SOT-23	MMBT3906	Fairchild Semiconductor	None	None
Q9	1	0.5V	Transistor, NPN, 80V, 1A, SOT-89	SOT-89	BCX5616TA	Diodes Inc.		
R3, R21, R23, R51, R55	5	10.0k	RES, 10.0k ohm, 1%, 0.125W, 0805	0805	CRCW080510K0FKEA	Vishay-Dale		
R4, R5, R6, R7, R8, R9	6	100	RES, 100 ohm, 1%, 0.25W, 1206	1206	CRCW1206100RFKEA	Vishay-Dale		
R10, R12, R14, R24, R25, R26, R27, R31, R32, R36, R37, R57, R58, R61, R62	15	100	RES, 100 ohm, 1%, 0.125W, 0805	0805	CRCW0805100RFKEA	Vishay-Dale		
R11	1	0.001	RES, 0.001 ohm, 1%, 2W, 4527	4527	WSR21L000FEA	Vishay-Dale		
R13	1	499k	RES, 499k ohm, 1%, 0.125W, 0805	0805	CRCW0805499KFKEA	Vishay-Dale		
R15, R18, R19, R47, R54, R59, R60	7	1.00Meg	RES, 1.00Meg ohm, 1%, 0.125W, 0805	0805	CRCW08051M00FKEA	Vishay-Dale		



**Table 4. bq76920 Circuit Module Bill of Materials (continued)**

Designator	Qty	Value	Description	Package Reference	Part Number	MFG	Alternate Part Number	Alternate MFG
R16, R30	2	0	RES, 0 ohm, 5%, 0.125W, 0805	0805	CRCW08050000Z0EA	Vishay-Dale		
R17	1	1.00k	RES, 1.00k ohm, 1%, 0.125W, 0805	0805	CRCW08051K00FKEA	Vishay-Dale		
R20	1	10.0k ohm	Thermistor NTC, 10.0k ohm, 1%, Disc, 5x8.4 mm	Disc, 5x8.4 mm	103AT-2	SEMITEC Corporation		
R22	1	3.01k	RES, 3.01k ohm, 1%, 0.125W, 0805	0805	CRCW08053K01FKEA	Vishay-Dale		
R38	1	300k	RES, 300k ohm, 0.1%, 0.1W, 0603	0603	RG1608P-304-B-T5	Susumu Co Ltd		
R39, R43	2	13.7k	RES, 13.7k ohm, 0.1%, 0.1W, 0603	0603	RG1608P-1372-B-T5	Susumu Co Ltd		
R44, R45, R50, R52	4	100k	RES, 100k ohm, 1%, 0.125W, 0805	0805	CRCW0805100KFKEA	Vishay-Dale		
R46	1	0	RES, 0 ohm, 5%, 0.25W, 1206	1206	CRCW12060000Z0EA	Vishay-Dale		
R48	1	1.0k	RES, 1.0k ohm, 5%, 1W, 2512	2512	ERJ-1TYJ102U	Panasonic		
R49	1	196k	RES, 196k ohm, 1%, 0.125W, 0805	0805	CRCW0805196KFKEA	Vishay-Dale		
R53	1	49.9k	RES, 49.9k ohm, 1%, 0.125W, 0805	0805	CRCW080549K9FKEA	Vishay-Dale		
R63	1	221k	RES, 221k ohm, 1%, 0.125W, 0805	0805	CRCW0805221KFKEA	Vishay-Dale		
R64, R65	2	1.00k	RES, 1.00k ohm, 1%, 0.25W, 1206	1206	CRCW12061K00FKEA	Vishay-Dale		
R66, R67, R68, R69, R70	5	200	RES, 200 ohm, 1%, 0.125W, 0805	0805	CRCW0805200RFKEA	Vishay-Dale		
S1, S2	2		Switch, Tactile, SPST-NO, 0.05A, 12V, SMT	SW, SPST 6x6 mm	4-1437565-1	TE Connectivity		
S3	1		Switch, SPST 7Pos, Rocker, TH	9.65X8X19.8mm	76SB07ST	Grayhill		
SH-J4, SH-J5, SH-J9, SH-J10, SH-J12-3, SH-J12-5, SH-J12-7, SH-J12-9, SH-J13-3	9	1x2	Shunt, 100mil, Gold plated, Black	Shunt	969102-0000-DA	3M	SNT-100-BK-G	Samtec
TP3, TP4, TP5, TP6	4	Black	Test Point, TH, Multipurpose, Black	Keystone5011	5011	Keystone		
U1	1		µC-Controlled AFE Family for 5/10/15-Series Cell Lithium-Ion and Phosphate Battery Pack Applications, PW0020A	PW0020A	BQ7692000PW	Texas Instruments		None
U2	1		CEDV Fuel Gauge and Battery Management Controller Companion to the bq769x0 AFE, DBT0030A	DBT0030A	BQ78350DBT-R1	Texas Instruments		None
W1	1		Cable assembly, 4 pin	Assembly	CBL002	Texas Instruments	-	-
C10	0	470pF	CAP, CERM, 470pF, 50V, +/-10%, X7R, 0805	0805	08055C471KAT2A	AVX		
C19	0	3300pF	CAP, CERM, 3300pF, 25V, +/-10%, X7R, 0603	0603	GRM188R71E332KA01D	MuRata		
D3	0	30V	Diode, TVS, Uni, 30V, 600W, SMB	SMB	SMBJ30A-13-F	Diodes Inc.		
D5	0	16V	Diode, Zener, 16V, 500mW, SOD-123	SOD-123	MMSZ5246B-7-F	Diodes Inc.		
D7	0	600V	Diode, Ultrafast, 600V, 8A, TH	TO-220AC	MUR860G	ON Semiconductor		
E1, E2, E3, E4, E5, E6, E7, E8	0		Spark gap. There is nothing to buy or mount.	Spark gap	N/A	N/A		
FID1, FID2, FID3	0		Fiducial mark. There is nothing to buy or mount.	Fiducial	N/A	N/A		
HS1	0		Heatsink, DDPak/TO-263, SMT	Heatsink, DDPak	573300D00010G	Aavid		
J11	0		Header, TH, 100mil, 7x1, Gold plated, 230 mil above insulator	7x1 Header	TSW-107-07-G-S	Samtec		
J15	0		Header, TH, 100mil, 6x1, Gold plated, 230 mil above insulator	TSW-106-07-G-S	TSW-106-07-G-S	Samtec, Inc.		
R1, R2	0	0	RES, 0 ohm, 5%, 0.125W, 0805	0805	CRCW08050000Z0EA	Vishay-Dale		
R28, R29, R40, R41, R56	0	1.00k	RES, 1.00k ohm, 1%, 0.125W, 0805	0805	CRCW08051K00FKEA	Vishay-Dale		
R33	0	300k	RES, 300k ohm, 0.1%, 0.1W, 0603	0603	RG1608P-304-B-T5	Susumu Co Ltd		
R34, R35, R42	0	1.00Meg	RES, 1.00Meg ohm, 1%, 0.125W, 0805	0805	CRCW08051M00FKEA	Vishay-Dale		

**Table 4. bq76920 Circuit Module Bill of Materials (continued)**

Designator	Qty	Value	Description	Package Reference	Part Number	MFG	Alternate Part Number	Alternate MFG
TP1	0	Black	Test Point, TH, Multipurpose, Black	Keystone5011	5011	Keystone		
TP2, TP29	0	Red	Test Point, TH, Multipurpose, Red	Keystone5010	5010	Keystone		
TP7, TP8, TP9, TP10, TP11, TP12, TP13, TP14, TP15, TP18, TP20, TP21, TP22, TP24, TP25, TP26, TP27, TP28, TP33, TP34, TP35, TP37	0	White	Test Point, TH, Multipurpose, White	Keystone5012	5012	Keystone		

Figure 29 through Figure 31 illustrate the schematics.

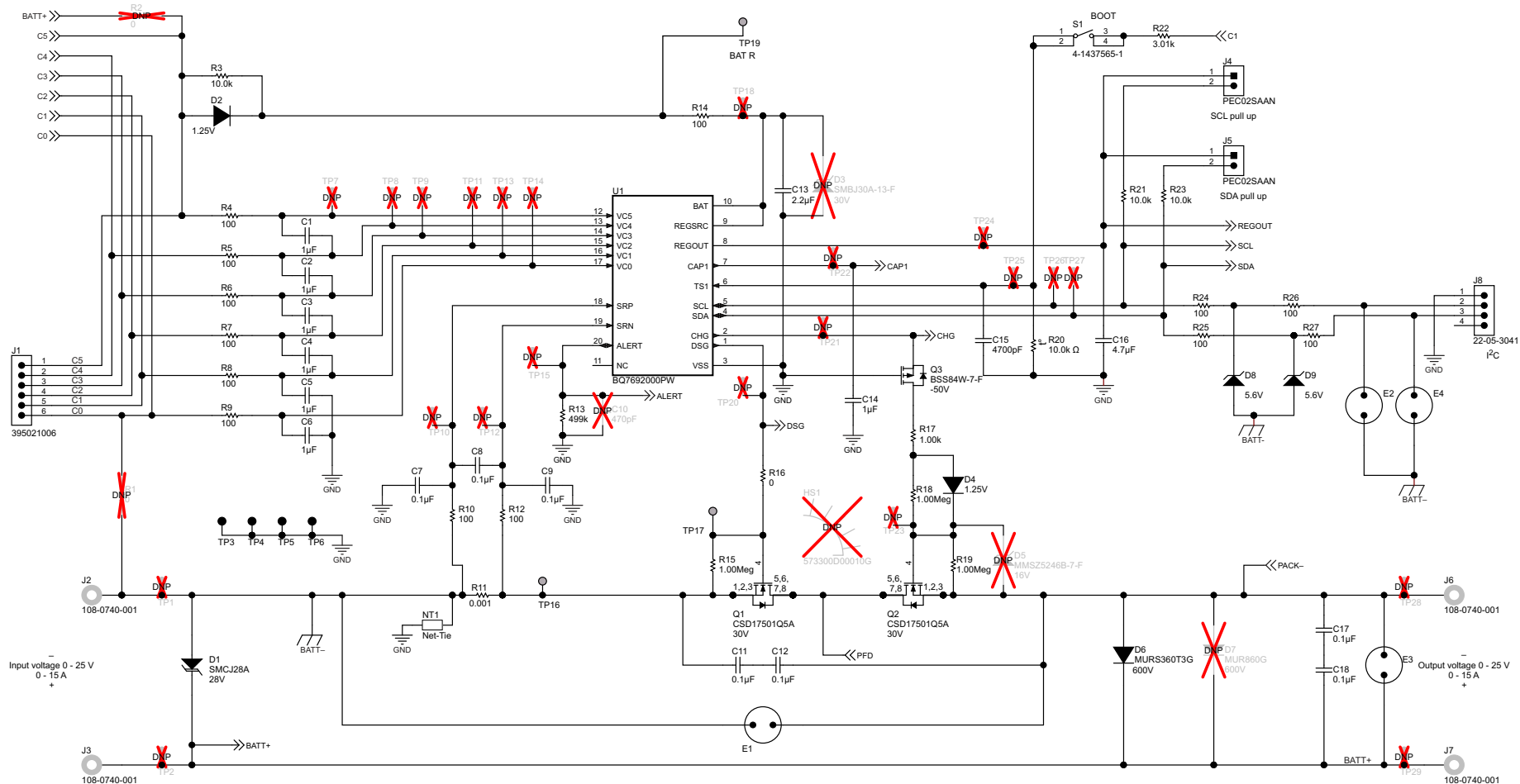
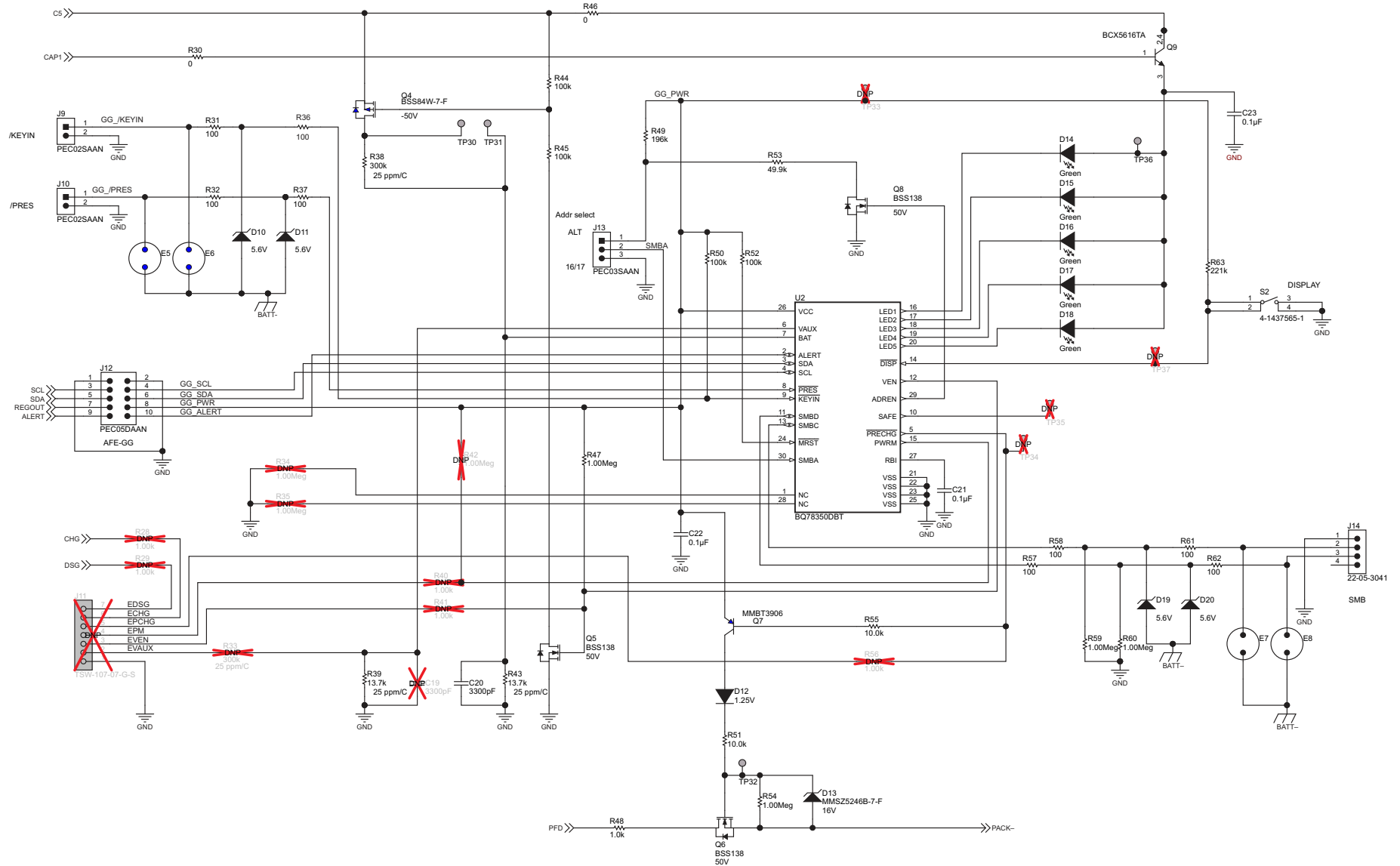


Figure 29. Schematic Diagram AFE



**Figure 30. Schematic Diagram Gauge**

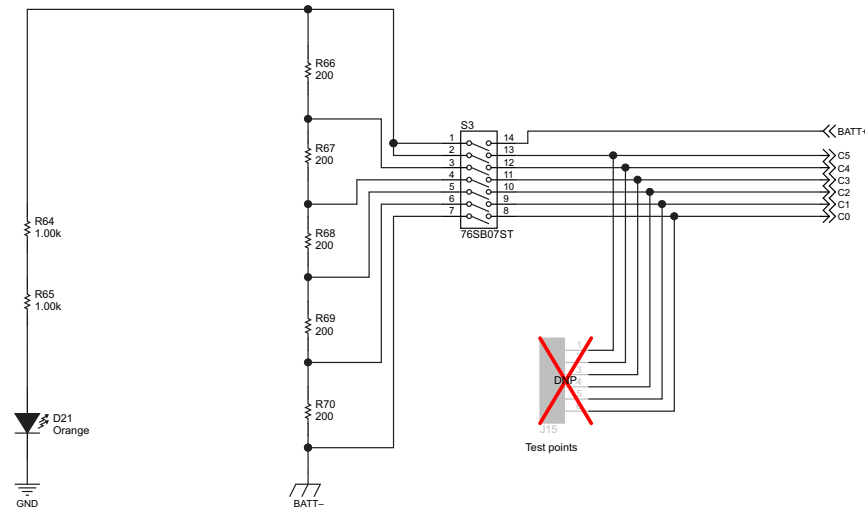


Figure 31. Schematic Diagram Cell Simulator



## 8 Related Documents From Texas Instruments

Document	Literature Number
<i>bq76920, bq76930, bq76940</i> $\mu$ C-Controlled AFE Family for 5-, 10-, and 15-Series Cell Lithium-Ion and Phosphate Battery Pack Applications Data Sheet	SLUSBK2
<i>bq78350-R1 CEDV Li-Ion Gas Gauge and Battery Management Controller Companion Data Sheet</i>	SLUSCD0
<i>bq78350-R1 Technical Reference Manual</i>	SLUUBD3
<i>Using the bq78350-R1 Application Report</i>	SLUA924
<i>TIDA-00449 Firmware</i>	TIDCBB1

### Revision History

#### Changes from Original (March 2014) to A Revision Page

• Changed <i>EVM Connection for Basic Gauge Operation</i> image. ....	7
• Changed software display image. ....	9
• Changed registers view image. ....	10

### Revision History

#### Changes from A Revision (April 2014) to B Revision Page

• Changed software title to <i>bq76940/bq76930/bq76920 Evaluation Software</i> in step one of the <i>Quick Start</i> section and globally throughout document. ....	5
• Changed path name to ...'\bq76940' in second paragraph of <i>Interface Adapter</i> section. ....	8
• Added clarification about device identifiers in menus or windows in the <i>bq76940/bq76930/bq76920 Software</i> section ....	8
• Added sentence about how to start the software in the <i>Software Operation</i> section. ....	9
• Changed Evaluation Software Display image. ....	9
• Added <i>Sequence_Example.bqseq</i> to paragraph below <i>Sequence View</i> image. ....	13
• Changed content in the BOM in rows containing U1 and U2 in the Designator column. ....	37

## Revision History

NOTE: Page numbers for previous revisions may differ from page numbers in the current version.

<b>Changes from B Revision (April 2014) to C Revision</b>	<b>Page</b>
• Added 'AFE and bq78350 gauge' to second sentence in the Abstract. ....	1
• Changed '...the bq76920 registers...' to '...the device registers...' in the Abstract. ....	1
• Changed '5-cell Li-Ion and Li-Polymer' to '5-cell Li-Ion and Phosphate' in the first <i>Features</i> bullet. ....	3
• Changed 'parallel' to 'series' in the first sentence of the <i>bq76920 Circuit Module Performance Specification Summary</i> section. ....	3
• Added 'for the AFE 2.5 A for the gauge' to first bullet in <i>Required Equipment</i> section. ....	3
• Deleted bullet containing 'TI bq76940/bq76930/bq76920 Evaluation Software' in <i>Required Equipment</i> section. ....	3
• Added 'calibrated load or load with accurate current meter required for gauge evaluation' to sixth bullet in <i>Required Equipment</i> section. ....	3
• Added <i>Quick Start</i> section with introduction and moved <i>AFE Quick Start</i> to <i>Quick Start</i> subsection. ....	4
• Changed step 1 in <i>AFE Quick Start</i> section, moved install instruction from step 1 to step 2. ....	4
• Added AFE to <i>EVM Connection for Basic AFE Operation</i> figure caption. ....	5
• Added <i>Gauge Quick Start</i> section. ....	6
• Added 'bqStudio software' to first paragraph of the <i>Interface Adapter</i> section. ....	8
• Changed <i>bq76940/bq76930/bq76920 Software</i> section to a new heading number and added clarification in first paragraph. ....	8
• Added <i>Interface Adapter</i> section with bq769x0-specific instructions. ....	8
• Added <i>Battery Management Studio Software</i> section. ....	13
• Added sentence to end of <i>Evaluating with Simulated Current</i> section. ....	22
• Added paragraph to end of <i>Reducing the Cell Count</i> section. ....	23
• Changed first sentence of <i>Connecting to a Host</i> section. ....	25
• Changed entire content of <i>Gauge Circuits</i> section. ....	26
• Added paragraph with reference to <i>Gauge Circuits</i> section. ....	26
• Added last two paragraphs in <i>Unused Components</i> section. ....	26
• Added link to <i>bq78350 Technical Reference Manual</i> in related documents. ....	43

## Revision History

<b>Changes from C Revision (July 2014) to D Revision</b>	<b>Page</b>
• Added information about what the illuminated LED indicates on step 8 in the <i>AFE Quick Start</i> section. ....	5
• Changed adapter and text in figure. ....	5
• Changed interface adapter and programming steps in the <i>Gauge Quick Start</i> section. ....	6
• Added sub-steps to step 12 in the <i>AFE Quick Start</i> section. ....	6
• Changed adapter in figure. ....	7
• Changed Interface Adapter section to emphasize EV2400 and firmware update. ....	8
• Changed content in the <i>bq76940/bq76930/bq76920 Software</i> section. ....	8
• Changed the software link to the bqStudio tool folder. ....	14
• Changed <i>bqStudio Operation</i> to describe start with firmware installed first. ....	14
• Changed Firmware Programming to comprehend gauge with firmware, EV2400 version, and firmware programming time. ....	15
• Changed firmware shown in figure. ....	16
• Changed versions shown in figure. ....	16
• Changed versions shown in figure. ....	17
• Changed link and references to version -R1. ....	21
• Changed last sentence in the <i>Cell Simulator</i> section. ....	21
• Changed adapter in figure. ....	22
• Added reference and figure to <i>Reducing the Cell Count</i> section. ....	22

---

• Added paragraph and figure to <i>Connecting Cells</i> section. ....	24
• Changed <i>Connecting to a Host</i> section paragraph and added figure. ....	25
• Added spark gap paragraph. ....	28
• Added spark gaps, changed fiducials to uninstalled, and bq78350 version in the BOM table. ....	37
• Changed gauge documents to -R1 and added references in related documents. ....	43

---

## IMPORTANT NOTICE AND DISCLAIMER

TI PROVIDES TECHNICAL AND RELIABILITY DATA (INCLUDING DATASHEETS), DESIGN RESOURCES (INCLUDING REFERENCE DESIGNS), APPLICATION OR OTHER DESIGN ADVICE, WEB TOOLS, SAFETY INFORMATION, AND OTHER RESOURCES "AS IS" AND WITH ALL FAULTS, AND DISCLAIMS ALL WARRANTIES, EXPRESS AND IMPLIED, INCLUDING WITHOUT LIMITATION ANY IMPLIED WARRANTIES OF MERCHANTABILITY, FITNESS FOR A PARTICULAR PURPOSE OR NON-INFRINGEMENT OF THIRD PARTY INTELLECTUAL PROPERTY RIGHTS.

These resources are intended for skilled developers designing with TI products. You are solely responsible for (1) selecting the appropriate TI products for your application, (2) designing, validating and testing your application, and (3) ensuring your application meets applicable standards, and any other safety, security, or other requirements. These resources are subject to change without notice. TI grants you permission to use these resources only for development of an application that uses the TI products described in the resource. Other reproduction and display of these resources is prohibited. No license is granted to any other TI intellectual property right or to any third party intellectual property right. TI disclaims responsibility for, and you will fully indemnify TI and its representatives against, any claims, damages, costs, losses, and liabilities arising out of your use of these resources.

TI's products are provided subject to TI's Terms of Sale ([www.ti.com/legal/termsofsale.html](http://www.ti.com/legal/termsofsale.html)) or other applicable terms available either on [ti.com](http://ti.com) or provided in conjunction with such TI products. TI's provision of these resources does not expand or otherwise alter TI's applicable warranties or warranty disclaimers for TI products.

Mailing Address: Texas Instruments, Post Office Box 655303, Dallas, Texas 75265  
Copyright © 2018, Texas Instruments Incorporated