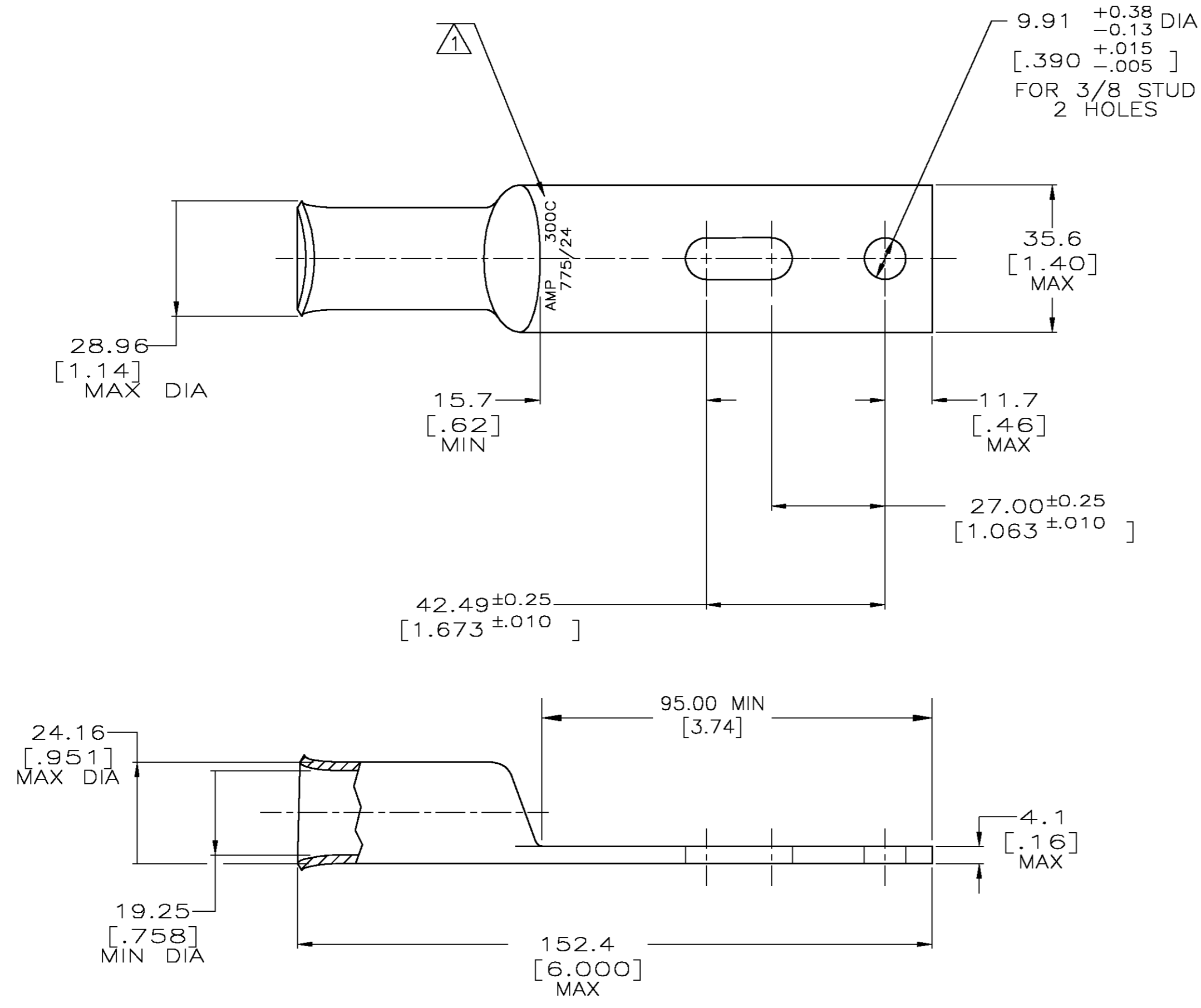


THIS DRAWING IS UNPUBLISHED. RELEASED FOR PUBLICATION
 © COPYRIGHT BY TYCO ELECTRONICS CORPORATION. ALL RIGHTS RESERVED.

LOC	DIST	REVISIONS					
G	86	P	LTR	DESCRIPTION	DATE	DWN	APVD
		A		REL PER 0G3A-0096-03	19FEB03	JR	MS



- 1 STAMP AMP 300C 775/24 APPROX AS SHOWN.
- 2 CIRCULAR MIL RANGE: 275-325 MCM.
- 3 MATERIAL: ANNEALED COPPER ASTM B-188.
- 4 FINISH: 0.00381 $\begin{bmatrix} .000150 \end{bmatrix}$ MIN TIN PLATE PER ASTM B-545.

696475-1
 PART NUMBER

THIS DRAWING IS A CONTROLLED DOCUMENT.		DWN MICHAEL S. FEHER 21NOV2002	Tyco Electronics Corporation Harrisburg, PA 17105-3608	
DIMENSIONS: mm [INCHES]		CHK MICHAEL SPICER 21NOV2002	NAME TERMINAL, AMPPOWER, WIRE SIZE: 300 MCM	
TOLERANCES UNLESS OTHERWISE SPECIFIED:		APVD MICHAEL SPICER 21NOV2002	PRODUCT SPEC 108-30200	
0 PLC ± -		APPLICATION SPEC		
1 PLC ± -		WEIGHT .350 LBS		
2 PLC ± 0.51 [.020]		SIZE A2 CAGE CODE 00779 C=696475		
3 PLC ± -		DRAWING NO		
4 PLC ± -		RESTRICTED TO		
ANGLES ± -		SCALE 1:1 SHEET 1 OF 1 REV A		
FINISH		CUSTOMER DRAWING		