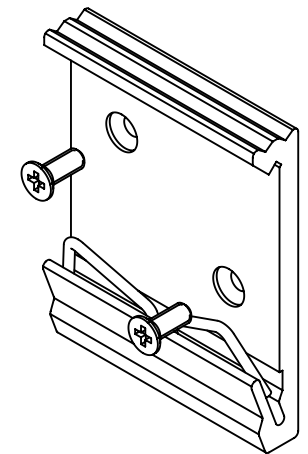
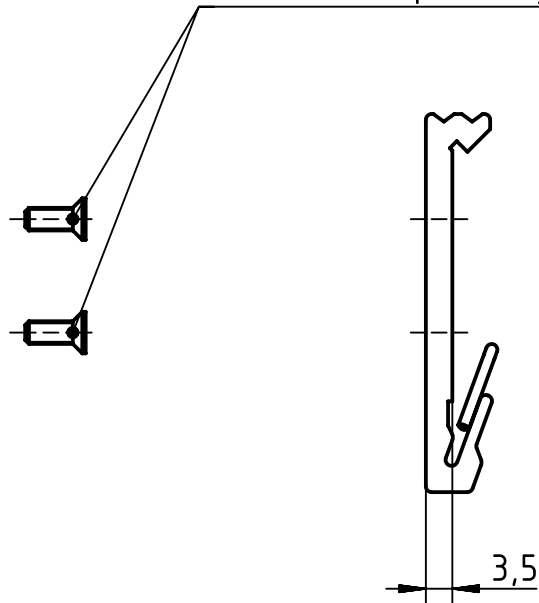




2x countersunk-head screw M3x8
enclosed separately



for mounting rail acc. to DIN EN 60715

	 All Dimensions in mm Original Size DIN A4	Scale 1:1	Free size tol.			Ref.	
	All rights reserved Department EL PD - DE	Created by WULF	Inspected by LOETKEMANN	Standardisation SCHMIDTM	Date 2013-10-11	State Final Release	Sub. TB 2080000003 v. 12.05.11
HARTING Electric GmbH & Co. KG D-32339 Espelkamp		Title DIN Rail Mounting Bracket, AL				Doc-Key / ECM-Nr. 100209135/UGD/004/A 500000067169	
		Type TB	Number 20 80 000 0003			Rev. A	Page 1/1