

HC-B 16-TMB-100/O1STM40G-STA - Housing



1604476

<https://www.phoenixcontact.com/us/products/1604476>

Please be informed that the data shown in this PDF document is generated from our online catalog. Please find the complete data in the user documentation. Our general terms of use for downloads are valid.



HEAVYCON ADVANCE standard powder-coated sleeve housing B16, with bayonet locking, height 100 mm, with 1xM40 thread, straight cable outlet

Commercial data

Item number	1604476
Packing unit	1 pc
Minimum order quantity	10 pc
Sales key	BF58
Product key	BF7AAA
Catalog page	Page 565 (PC-2011)
GTIN	4017918948153
Weight per piece (including packing)	372 g
Weight per piece (excluding packing)	372 g
Customs tariff number	85389099
Country of origin	DE

HC-B 16-TMB-100/O1STM40G-STA - Housing

1604476

<https://www.phoenixcontact.com/us/products/1604476>

Technical data

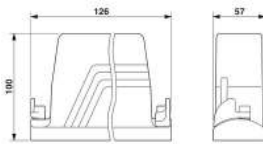
Notes

General	For contact inserts HC-B16, BB32, D40, DD72, HS6, HV6, M, K
---------	---

Product properties

Type	B16
Product type	Housing with bayonet locking
Application	Standard
No. of cable outlets	1
Type of the screw connection	1x M40
Housing type	Sleeve housing
Shielded	no
Cable outlet	straight
Pg screw connection	none

Dimensions

Dimensional drawing	
Width	57 mm
Height	100 mm
Length	126 mm

Installation dimensions

Width of the assembly cutout	35 mm
Length of the assembly cutout	86 mm

Material specifications

Seal material	NBR
Housing surface material	Powder-coated, gray
Locking latch material	High-grade steel, handle: PA-GF
Housing material	die-cast aluminum

Environmental and real-life conditions

Ambient conditions

Degree of protection	IP65 IP67
Ambient temperature (operation)	-40 °C ... 125 °C

Mechanical properties

HC-B 16-TMB-100/O1STM40G-STA - Housing



1604476

<https://www.phoenixcontact.com/us/products/1604476>

Mechanical data

Type of the screw connection	1x M40
Locking type	Screw

Mounting

Assembly instructions	In order to guarantee that the protective conductor contact functions even when plugged in at an angle, the two panel-mount flanges must have sufficient electrical contact with the metal mounting panel.
-----------------------	--

HC-B 16-TMB-100/O1STM40G-STA - Housing



1604476

<https://www.phoenixcontact.com/us/products/1604476>

Approvals

🔗 To download certificates, visit the product detail page: <https://www.phoenixcontact.com/us/products/1604476>



EAC

Approval ID: RU C-DE.AI30.B.01102



EAC

Approval ID: RU C-DE.BL08.B.00511

HC-B 16-TMB-100/O1STM40G-STA - Housing



1604476

<https://www.phoenixcontact.com/us/products/1604476>

Classifications

ECLASS

ECLASS-11.0	27440202
ECLASS-12.0	27440202
ECLASS-13.0	27440202

ETIM

ETIM 8.0	EC000437
----------	----------

UNSPSC

UNSPSC 21.0	31261500
-------------	----------

HC-B 16-TMB-100/O1STM40G-STA - Housing



1604476

<https://www.phoenixcontact.com/us/products/1604476>

Environmental product compliance

China RoHS	Environmentally friendly use period: unlimited = EFUP-e
	No hazardous substances above threshold values

Phoenix Contact 2023 © - all rights reserved
<https://www.phoenixcontact.com>

Phoenix Contact USA
586 Fulling Mill Road
Middletown, PA 17057, United States
(+717) 944-1300
info@phoenixcon.com