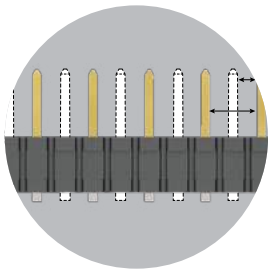


## HIGH-POWER SYSTEMS

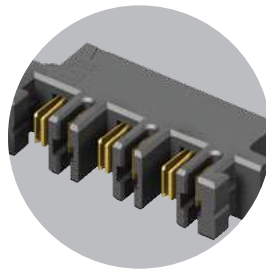
**20-60 A**  
per blade

### FEATURES & BENEFITS

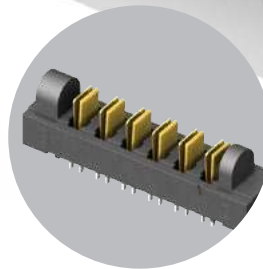
- Current Rating: 23 A - 58.7 A per power blade
- 3.81 mm, 5.00 mm and 6.35 mm pitch
- Dual blade contact system
- Power only or power/signal combinations available
- Right-angle and vertical orientations
- Rugged screw down and locking clip options
- Discrete wire cable assembly with 10-16 AWG wire
- "Hinged" for unique mating in any orientation from 0° to 90° and space confined applications



Selectively loading contacts achieves customer specific creepage and clearance requirements.



Hermaphroditic options available ([samtec.com?MPPT](http://samtec.com?MPPT))



Hinging options available ([samtec.com?FMPT](http://samtec.com?FMPT) [samtec.com?FMPS](http://samtec.com?FMPS))

### KEY SPECIFICATIONS


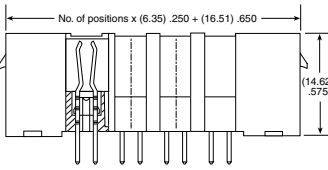
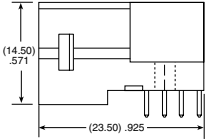
SERIES	PET/PES	PETC/PESC	MPT/MPS	MPTC/MPSC	UPT/UPS	FMPT/FMPS	UPPT	MPPT
PITCH	(6.35 mm) .250"	(6.35 mm) .250" (pwr) (2.54 mm) .100" (sig)	(5.00 mm) .1969"	(5.00 mm) .197" (pwr) (2.00 mm) .079" (sig)	(3.81 mm) .150"	(5.00 mm) .1969"	(3.81 mm) .150"	(5.00 mm) .1969"
CCC (1 PIN)*	58.7 A	31.4 A	28.8 A	28.8 A	23 A	26.7 A	21.4 A	23.3 A
CCC (2 PINS)*	48.5 A	28.0 A	24.7 A	24.7 A	18.6 A	22.9 A	19.8 A	20.5 A
CCC (3 PINS)*	41.1 A	24.4 A	24.1 A	24.1 A	17.5 A	19.1 A	17.1 A	19.4 A
CREEPAGE	(3.66 mm) .144"	(3.66 mm) .144"	(2.86 mm) .113"	(2.86 mm) .113"	(5.5 mm) .217"	(6.53 mm) .257"	(1.91 mm) .075"	(2.95 mm) .116"
CLEARANCE	(3.31 mm) .130"	(3.31 mm) .130"	(2.71 mm) .106"	(2.71 mm) .106"	(1.51 mm) .059"	(2.71 mm) .106"	(1.51 mm) .059"	(2.71 mm) .106"
VAC	725 VAC	Signal: 450 VAC Power: 650 VAC	575 VAC	250 VAC	438 VAC	525 VAC	425 VAC	600 VAC
VDC	1025 VDC	Signal: 636 VDC Power: 919 VDC	812 VDC	354 VDC	620 VDC	742 VDC	600 VDC	848 VDC
CYCLES	100	100	100	100	25	100	100	100

# POWER STRIP™ 40

(6.35 mm) .250" PITCH • 40 A HIGH-POWER SYSTEM

SERIES	NO. PINS PER ROW	LEAD STYLE	PLATING OPTION	TAIL OPTION	OTHER OPTION
<b>PET</b> Terminal	<b>-02, -04, -06, -08</b>	<b>-01</b> = Use with (1.60 mm) .062" Thick PCB <b>-02</b> = Use with (3.18 mm) .125" Thick PCB	<b>-L</b> = 10 μm (0.25 μm) Gold on contact, Matte Tin on tail <b>-T</b> = Matte Tin on tail	<b>-VT</b> = Vertical <b>-RA</b> = Right-angle (Screw Down option required)	<b>-SD</b> = Screw Down (Right-angle only)


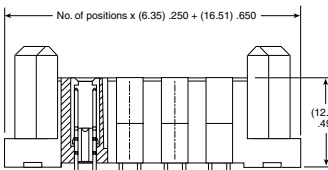
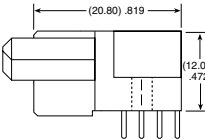
**PET**  
Board Mates: PES  
Cable Mates: PESS

**-VT** **-RA-SD**

<b>PES</b> Socket					
----------------------	--	--	--	--	--

**PES**  
Board Mates: PET


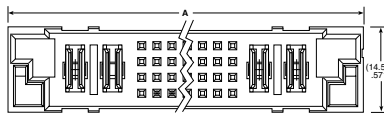
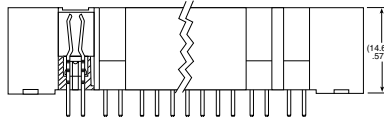




**-VT** **-RA-SD**

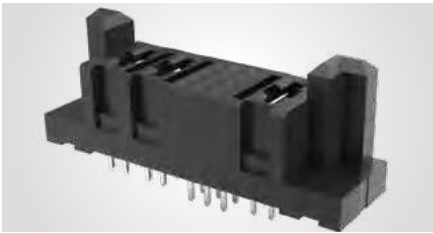
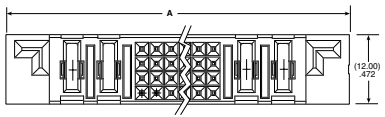
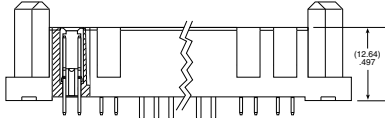
View complete specifications at: [samtec.com?PET](http://samtec.com?PET) & [samtec.com?PES](http://samtec.com?PES)

SERIES	POWER PINS	SIGNAL PINS	POWER PINS	01	PLATING OPTION	TAIL	OTHER OPTION
<b>PETC</b> Terminal	<b>-01 -02 -04</b>	<b>-12 -40</b>	<b>-01 -02 -04</b>		<b>-L</b> = 10 μm (0.25 μm) Gold on contact, Matte Tin on tail <b>-T</b> = Matte Tin	<b>-VT</b> = Vertical <b>-RA</b> = Right-angle	<b>-SD</b> = Screw Down (Right-angle only) <b>-LC</b> = Locking Clip (Manual placement required)

**PETC**  
Board Mates: PES

**PESC**  
Board Mates: PETC

POWER PINS/ENDS	A	
	12 SIGNAL PINS	40 SIGNAL PINS
-01	(39.37) 1.550	(57.15) 2.250
-02	(52.07) 2.050	(69.85) 2.750
-04	(77.47) 3.050	(95.25) 3.750

View complete specifications at: [samtec.com?PETC](http://samtec.com?PETC) & [samtec.com?PESC](http://samtec.com?PESC)

**Note:**  
Some lengths, styles and options are non-standard, non-returnable