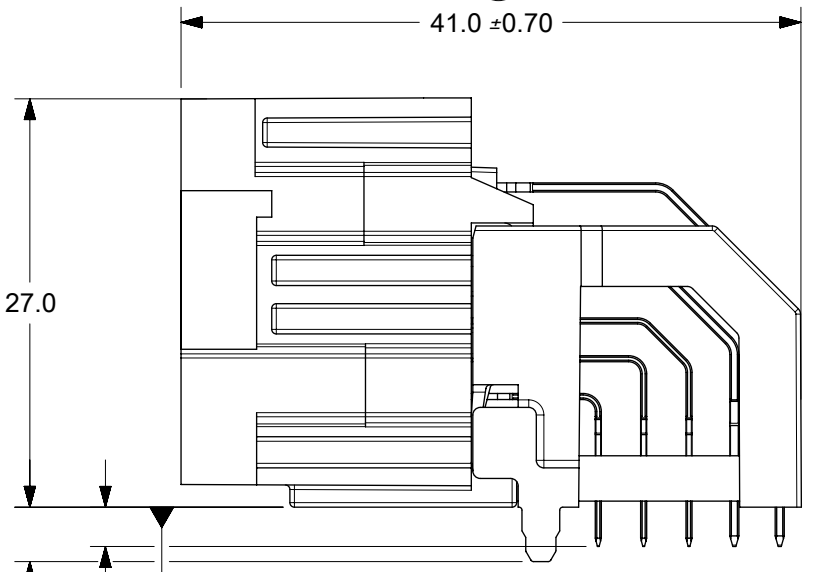


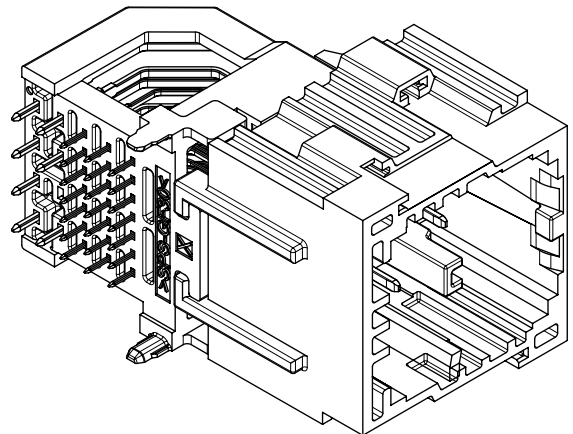
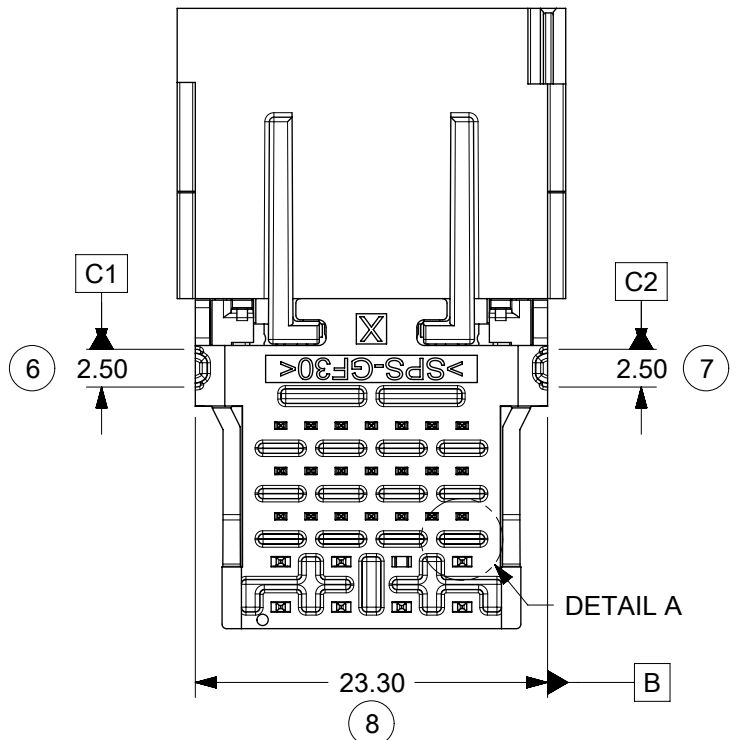
KEY 1
PART NO. 2005020281



- 5 2X 3.60
- 4 28X 2.60 ± 0.50

PART NUMBER	KEY	COLOR	TERMINAL QUANTITIES	
			0.5mm	1.2mm
2005020281	1	DARK GRAY	21	7
2005020282	2	GREEN		
2005020283	3	GRAY		
2005020284	4	BLACK		

FOUR (4) KEYS AVAILABLE
SEE INTERFACE DRAWING
SD-160014-002 FOR DEFINITION



NOTES: VALID UNLESS OTHERWISE SPECIFIED

1. GENERAL:
 - a. APPLICATION SPECIFICATION: 2005060000-AS
 - b. PRODUCT SPECIFICATION: 2005060001-PS
CLASSIFICATIONS T1V1S1 TO GMW 3191 2012
DEGREE OF PROTECTION IP40 TO ISO 20653 WITH MOLEX MATING CONNECTOR
 - c. PACKAGING SPECIFICATION PER MOLEX DRAWING

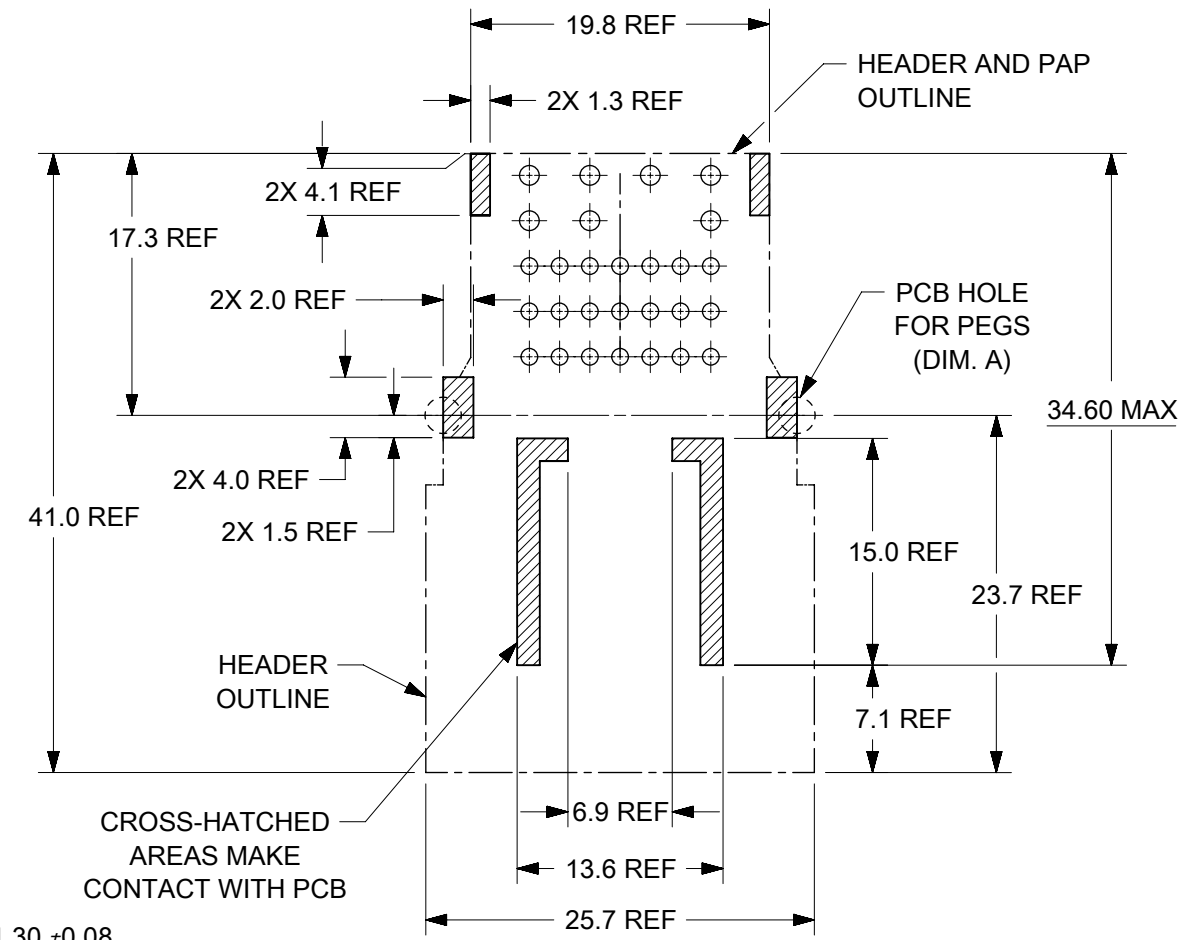
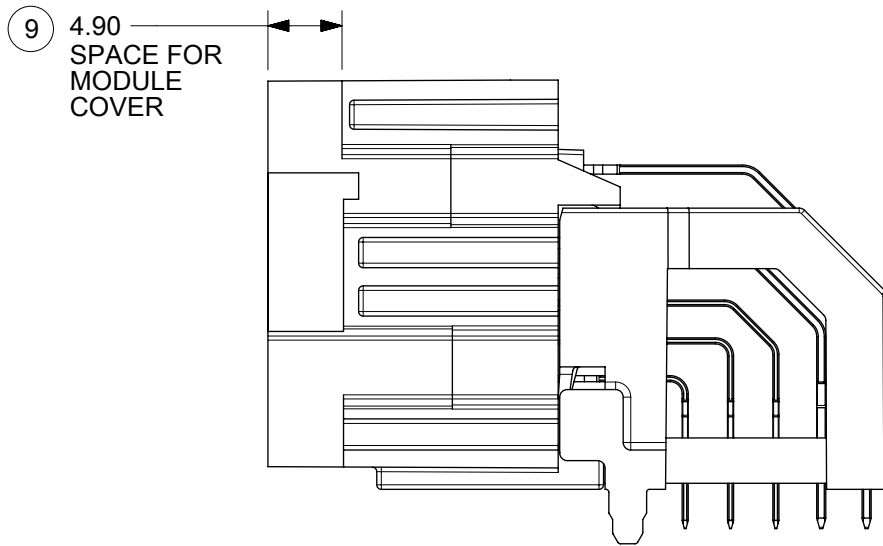
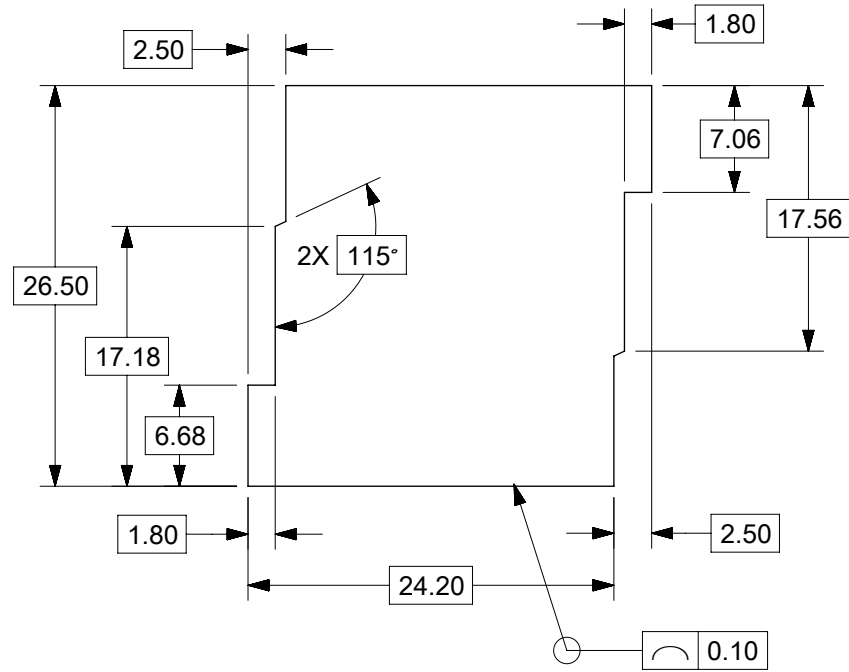
2. DESIGN - MATERIALS:
 - a. HOUSING: SPS 30% GF
 - b. BLADE TERMINALS:
 1. 0.5MM BLADES
BASE MATERIAL: COPPER ALLOY
CONDUCTIVITY ≥ 28% IACS @ 20°C
UNDERPLATE: OVERALL NICKEL
OVERPLATE: OVERALL TIN
 2. 1.2MM BLADES
BASE MATERIAL: COPPER ALLOY
CONDUCTIVITY ≥ 28% IACS @ 20°C
UNDERPLATE: OVERALL NICKEL
OVERPLATE: OVERALL TIN

3. DESIGN - GEOMETRY:
 - a. ALL GRAPHIC DATA IS BASIC (NO TOLERANCE) AND MUST BE TAKEN FROM THE DATA FILE AT ITS LATEST REVISION.
 - b. PRODUCT DESIGN MODEL NUMBER 2005020280
 - c. GEOMETRIC DIMENSIONS AND TOLERANCES PER ASME Y14.5-2009
 - d. EDGES AND UNDIMENSIONED DETAILS PER ISO13715
 - e. CORNERS SHOWN AS SHARP TO BE R 0.4 MAX.
 - f. LETTERING SHALL BE MAX POSSIBLE FOR READABILITY.
THIS INCLUDES RECYCLING CODE, CAVITY ID, VENDOR IDENTIFICATION, AND CUSTOMER MATERIAL NUMBER.
 - g. FOR BAY/POCKET DEFINITION SEE MOLEX INTERFACE DRAWING SD-160014-002
 - h. MATING HARNESS CONNECTORS MOLEX PN:
 - 1600140001 (KEY 1)
 - 1600140002 (KEY 2)
 - 1600140003 (KEY 3)
 - 1600140004 (KEY 4)

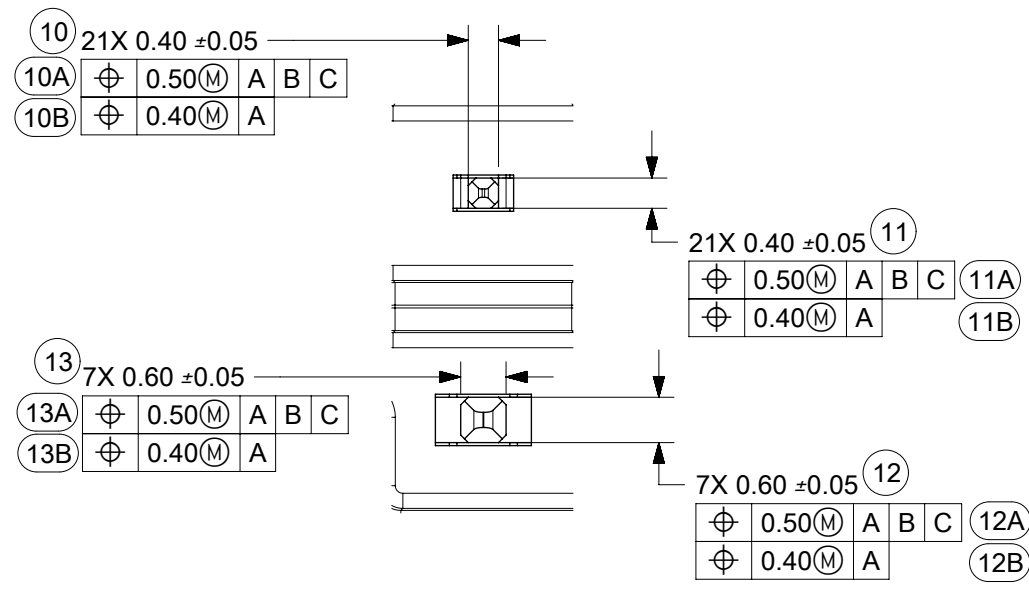
4. DESIGN - MANUFACTURING:
 - a. VISUAL DEFECTS SHALL MEET COSMETIC STANDARD PS-45499-002 (CLASS B)
 - b. REFLOW SOLDERABILITY PER SMES-152

THIS DRAWING CONTAINS INFORMATION THAT IS PROPRIETARY TO MOLEX ELECTRONIC TECHNOLOGIES, LLC AND SHOULD NOT BE USED WITHOUT WRITTEN PERMISSION									
DIMENSION UNITS mm		SCALE 2:1		CURRENT REV DESC: ADDED PCB HOLE DIMENSIONAL & POSITIONAL TOLERANCE				molex	
GENERAL TOLERANCES (UNLESS SPECIFIED)		ANGULAR TOL ± °		EC NO: 635042					
4 PLACES ± 0.0		3 PLACES ± 0.0		2 PLACES ± 0.13		1 PLACE ± 0.25		0 PLACES ± 0.0	
DRAFT WHERE APPLICABLE MUST REMAIN WITHIN DIMENSIONS		THIRD ANGLE PROJECTION		DRAWING B-SIZE		SERIES 200502		MATERIAL NUMBER SEE CHART	
DOCUMENT STATUS P1		RELEASE DATE 2020/04/07 14:46:16		CURRENT REV DESC: ADDED PCB HOLE DIMENSIONAL & POSITIONAL TOLERANCE				STAK50H MOD HDR 28 RA SINGLE BAY ASM	
INITIAL REVISION:				DRWN: JRUTTER 2015/05/27		CHK'D: JRUTTER 2020/04/03		APPR: JRUTTER 2020/04/07	
INITIAL REVISION:				DRWN: JRUTTER 2015/05/27		CHK'D: JRUTTER 2020/04/03		APPR: RBAUMAN 2016/08/22	
DOCUMENT NUMBER 2005021280SD		DOC TYPE PSD		DOC PART 000		REVISION C2		PRODUCT CUSTOMER DRAWING	
SHEET NUMBER 1 OF 2		CUSTOMER		MATERIAL NUMBER SEE CHART		CUSTOMER		SHEET NUMBER 1 OF 2	

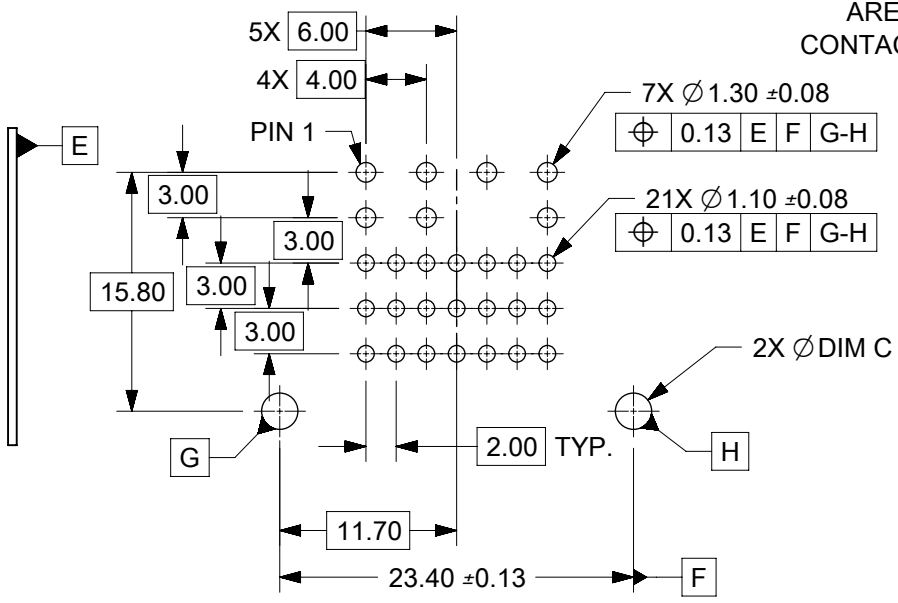
RECOMMENDED MODULE OPENING
TO PASS ISO 20653 IP40



HEADER OUTLINE AND PCB - HEADER CONTACT AREAS FOR REFERENCE ONLY



DETAIL A
SCALE 10:1



PCB LAYOUT FOR REFERENCE

POST HOLE FIT	DIM C
PRESS FIT	2.40±0.08
DROP IN	2.90 MIN

REVISION	DESCRIPTION
C2	ADDED PCB HOLE DIMENSIONAL & POSITIONAL TOLERANCE 02-APRIL-2020 YPENG47 ECN:635042

THIS DRAWING CONTAINS INFORMATION THAT IS PROPRIETARY TO MOLEX ELECTRONIC TECHNOLOGIES, LLC AND SHOULD NOT BE USED WITHOUT WRITTEN PERMISSION

DIMENSION UNITS	SCALE	CURRENT REV DESC:	ADDED PCB HOLE DIMENSIONAL & POSITIONAL TOLERANCE		
mm	1:1	EC NO:	635042		
GENERAL TOLERANCES (UNLESS SPECIFIED)		DRWN:	YPENG47	2019/12/23	
ANGULAR TOL ± °		CHK'D:	JRUTTER	2020/04/03	
4 PLACES ± 0.0		APPR:	JRUTTER	2020/04/07	
3 PLACES ± 0.0		INITIAL REVISION:			
2 PLACES ± 0.13		DRWN:	JRUTTER	2015/05/27	
1 PLACE ± 0.25		APPR:	RBAUMAN	2016/08/22	
0 PLACES ± 0.0		THIRD ANGLE PROJECTION		DRAWING	SERIES
DRAFT WHERE APPLICABLE MUST REMAIN WITHIN DIMENSIONS		B-SIZE		200502	

STAK50H MOD HDR 28 RA SINGLE BAY ASM

PRODUCT CUSTOMER DRAWING

DOCUMENT NUMBER	DOC TYPE	DOC PART	REVISION
2005021280SD	PSD	000	C2

MATERIAL NUMBER	CUSTOMER	SHEET NUMBER
SEE CHART		2 OF 2